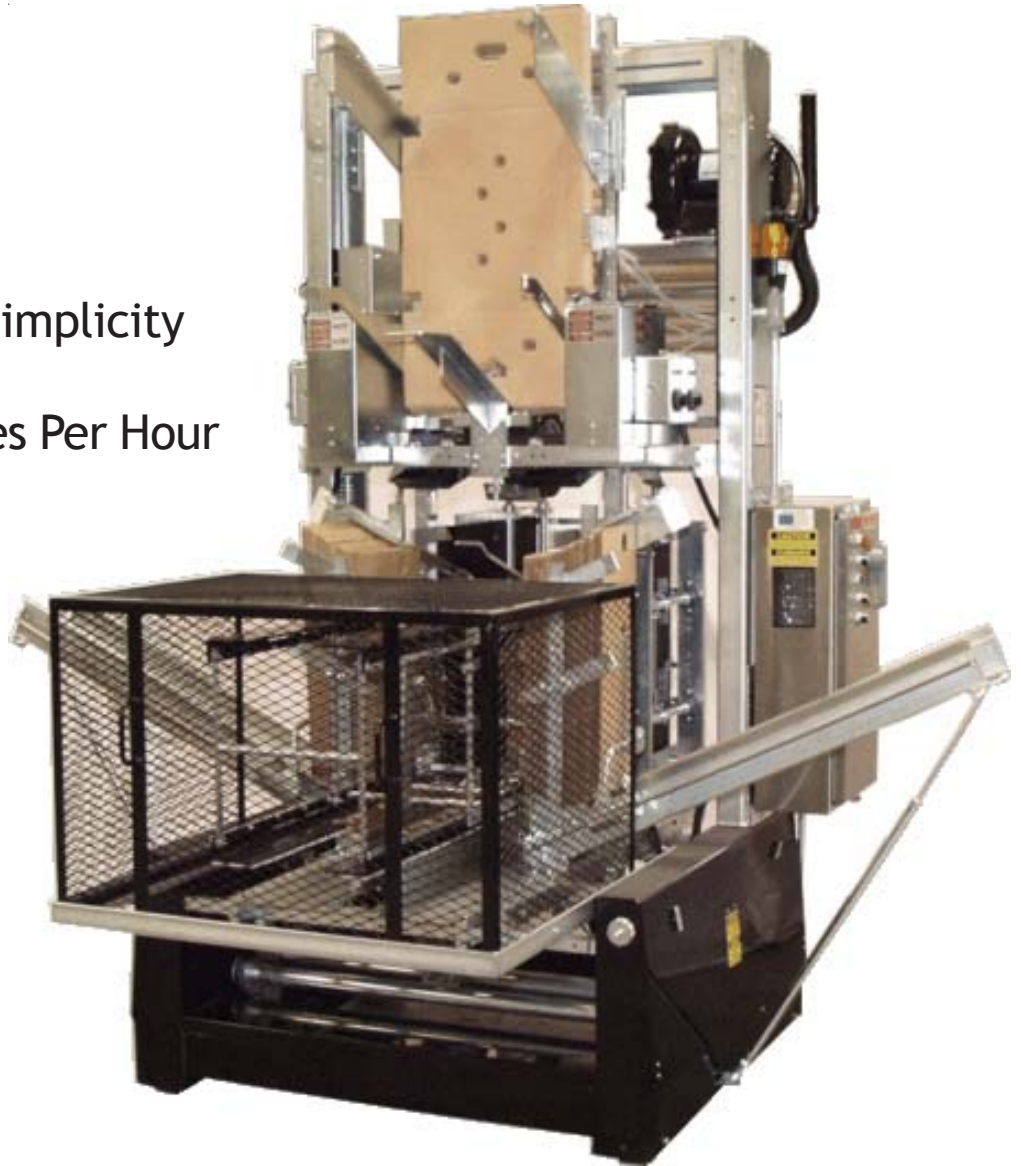


# BSB-100 ◆ Bliss Former

---

- ◆ All Mechanical Simplicity
- ◆ Up To 2100 Boxes Per Hour
- ◆ No Air Required
- ◆ Compact Size
- ◆ Portable



W.E.

***Plemons***

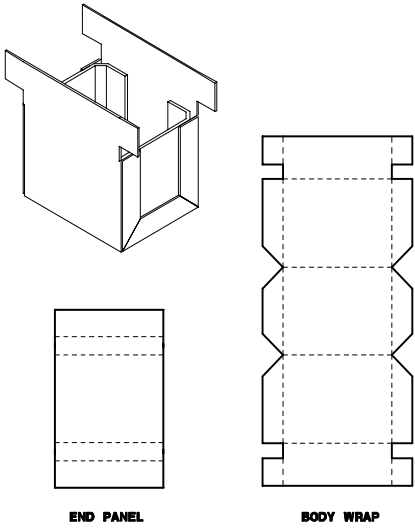
**MACHINERY SERVICES, INC.**

Geared to the World

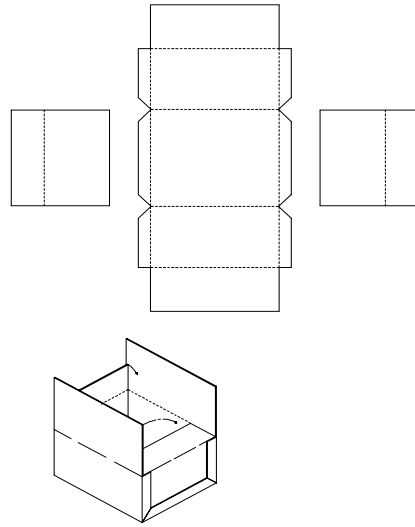
P.O. Box 787 ◆ 13479 E. Industrial Dr. ◆ Parlier, California 93648 ◆ (559) 646 - 6630 ◆ Fax (559) 646 - 9630

Visit our Website @ [www.weplemons.com](http://www.weplemons.com)

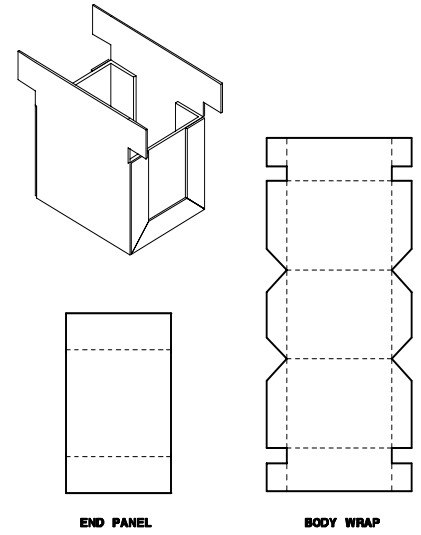
# Bliss Styles



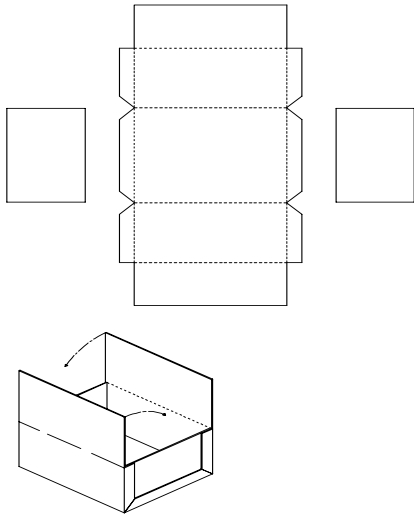
#1 Internal Flange Corner Post  
W/ Side Seal Top Flaps



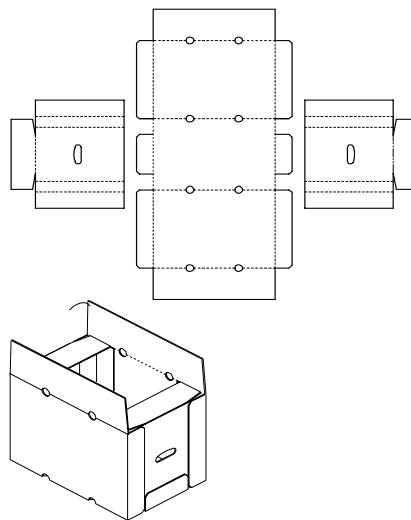
#2 Straight Bliss W/ RSC Flaps



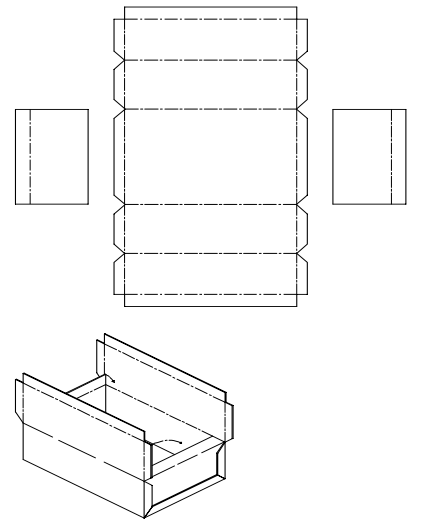
#3 Internal Flange  
W/ Side Seal Top Flaps



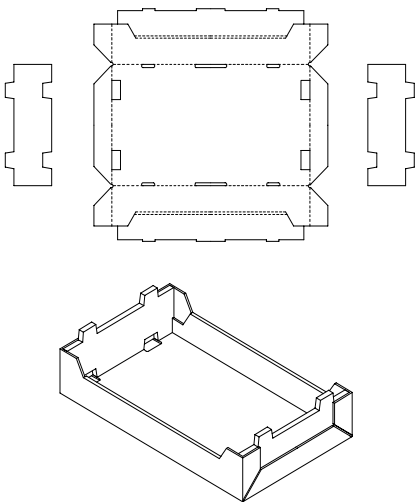
#4 Straight Bliss W/ Top Flaps



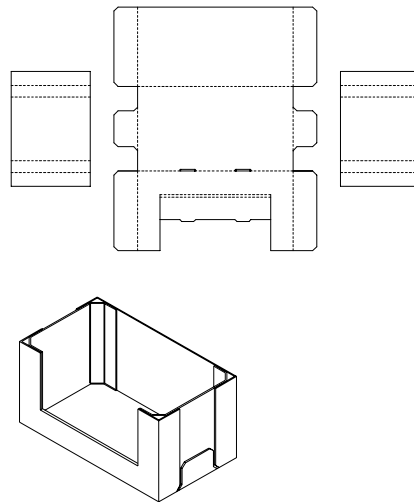
#5 Internal Flange Corner Post  
W/ Top Flaps



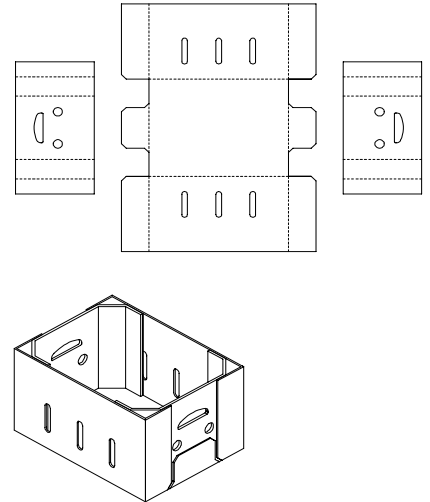
#6 Straight Bliss  
W/ Side Flange & Top Seal



#7 Open Top Bliss  
W/ Side Roll-Over

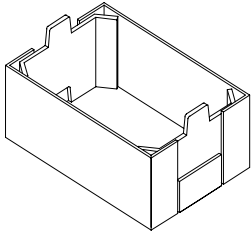
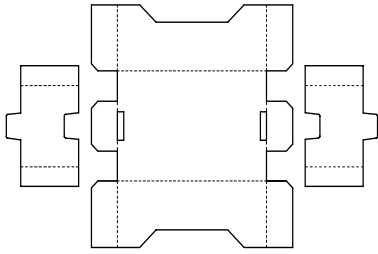


#8 Internal Flange Corner Post  
W/ Roll-Over Display

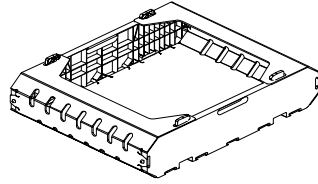
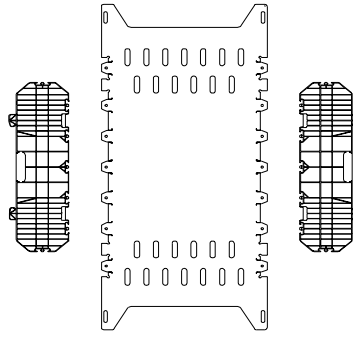


#9 Internal Flange Corner Post

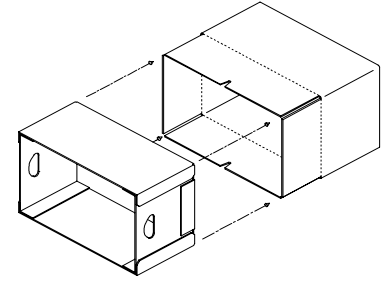
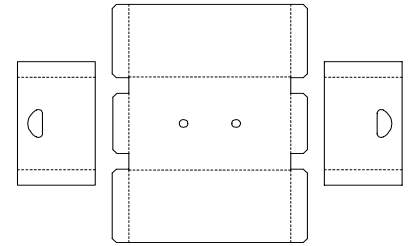
# Bliss Styles



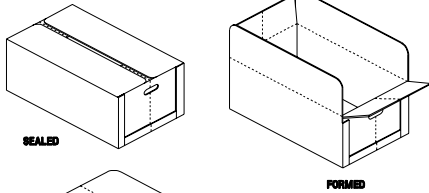
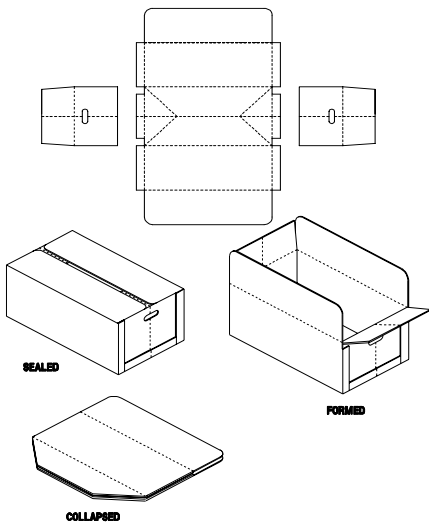
#10 Open Top Corner Post



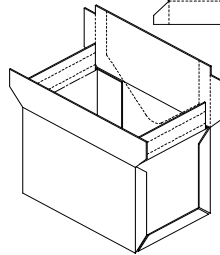
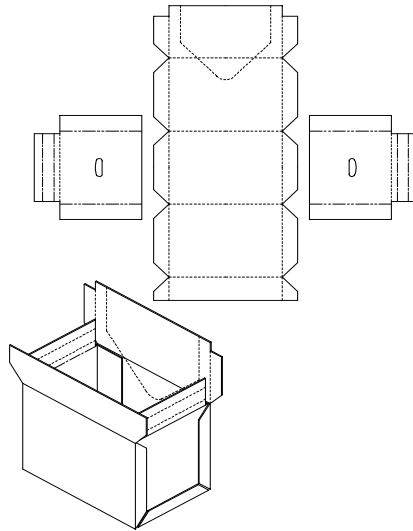
#11 Plastic "SnapLoc" Grape Box



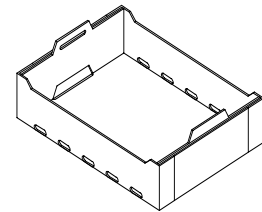
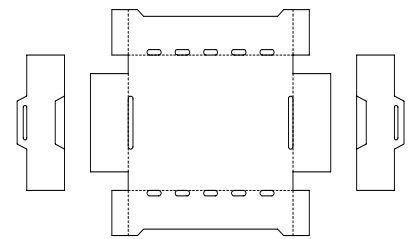
#12 Internal Flange Bliss  
W/ HSC Cover



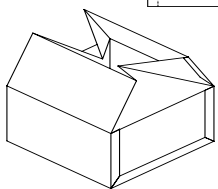
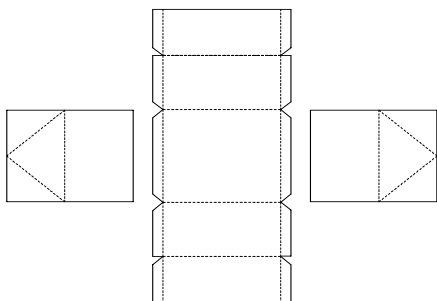
#13 Collapsible Bliss  
W/ RSC Style Top Flaps



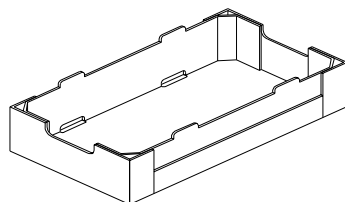
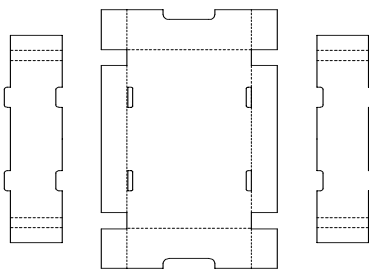
#14 Internal Flange Bliss  
W/ Tear Out Display



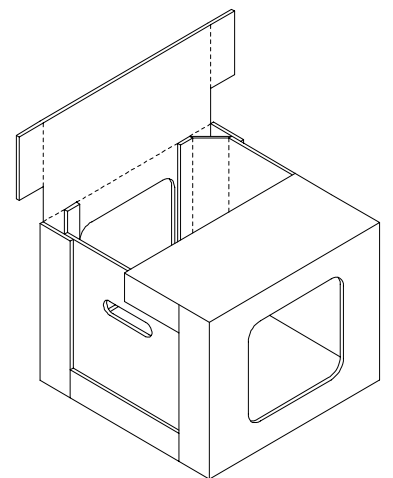
#15 Full Bottom Flange Bliss



#16 Bellows Top Bliss



#17 Common Footprint Bliss  
W/ Internal Flange Corner Post



#18 Internal Flange Corner Post  
W/ Side Seal & Cut Out Display

## PMS STANDARD FEATURES

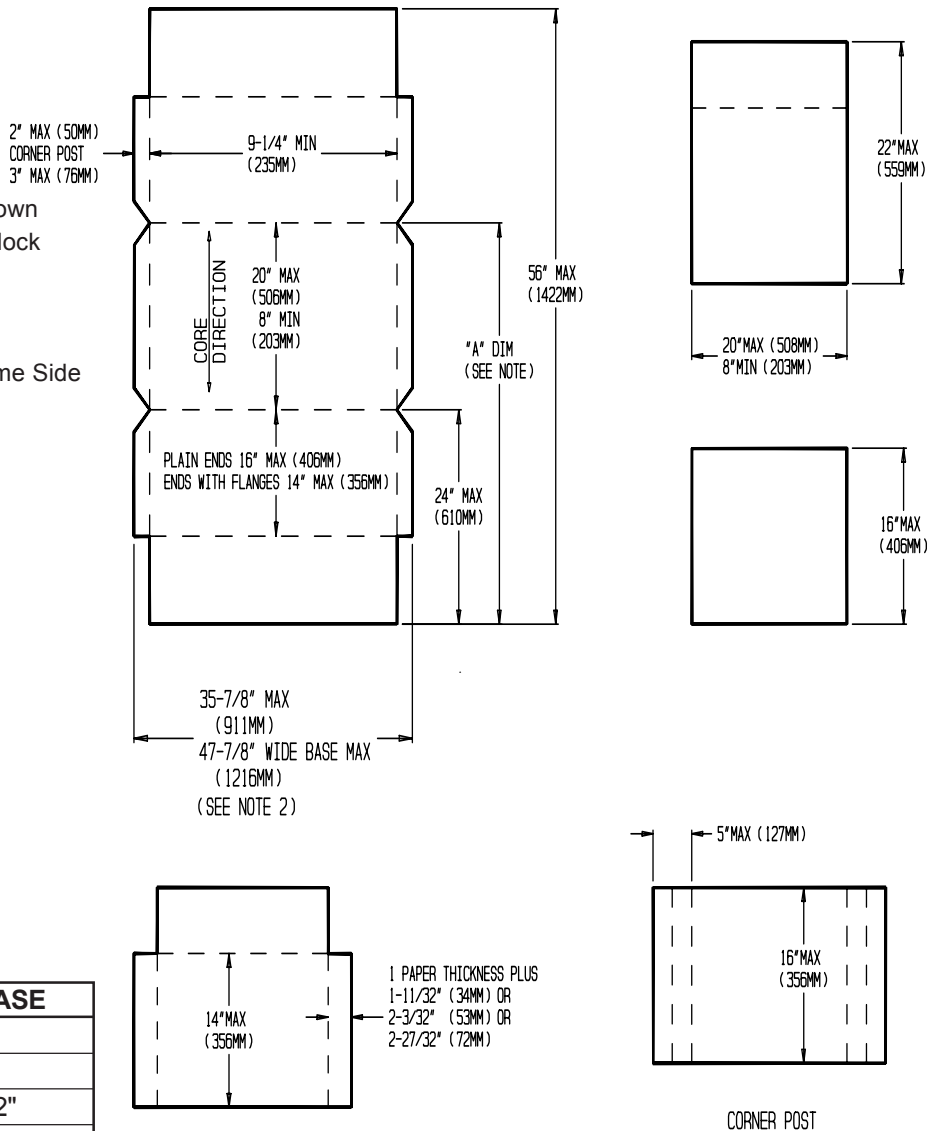
- ♦ Vacuum Feed Attachment  
(1 HP vacuum motor (1/3 more vacuum))
- ♦ Powder Coated Frame
- ♦ Time Delay Drive
- ♦ Down Stream Control Wiring
- ♦ Quick Change Bottom Stops
- ♦ One Piece Frame Uprights (no splices)
- ♦ One Piece Trees (no splices)
- ♦ Bearings in lower frame have seals for wash down
- ♦ "No Lube" Linear Bearings on Vacuum Feed Block
- ♦ "Lexan" Guard at Rear of Machine
- ♦ Large Capacity Glue Pots  
(Complete melt down - 30 min.)
- ♦ Safety Interlocks on all Guards and Lower Frame Side Panels
- ♦ Nema 4x Electrical Enclosure

## OPTIONAL EQUIPMENT

- ♦ Large Casters (Includes Mounting Pads)
- ♦ Extended Body Hopper (8" Longer)
- ♦ Missing Body & End Panel Sensors
- ♦ Low Level Hopper Sensors
- ♦ Kwik Change "Crank Adjustable" Bottom Stops
- ♦ Down Stream Photo Eye w/ 20ft S.O. Cord
- ♦ Box Counter
- ♦ Nordson Model 3700 Glue System
- ♦ Roll-Over Locking Attachment
- ♦ Automatic Lidding Attachment

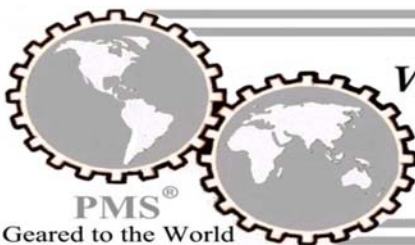
## Machine Specifications

ITEM	STANDARD BASE	WIDE BASE
WIDTH	78"	102"
LENGTH	58"	58"
HEIGHT	78 - 92"	78 - 92"
WEIGHT	2200 LBS	2400 LBS
APPROX. SPEED RANGE	0 - 35 PER MIN	0 - 35 PER MIN
ELECTRICAL STANDARD	240 V 3 PHASE - 60 Hz	
ELECTRICAL OPTIONS	208, 480 AND 600 VOLT 3 PHASE - 60 Hz <b>Single Phase Available.</b>	



### NOTES:

- (1) MAXIMUM "A" DIMENSIONS  
 36-1/2" (927MM) FOR PLAIN ENDS  
 35-3/4" (908MM) FOR ENDS WITH 1-1/2" (38MM) FLANGES  
 35" (889MM) FOR ENDS WITH 2-1/4" (57MM) FLANGES  
 34-1/4" (877MM) FOR ENDS WITH 3" (76MM) FLANGES
- (2) THE "QUICK CHANGE" MACHINE HAS A MAXIMUM DIMENSION OF 27" AND NOT 35 7/8".



W.E.

**Plemons**

**MACHINERY SERVICES, INC.**

Geared to the World

P.O. Box 787 ♦ 13479 E. Industrial Dr. ♦ Parlier, California 93648 ♦ (559) 646 - 6630 ♦ Fax (559) 646 - 9630

Visit our Website @ [www.weplemons.com](http://www.weplemons.com)