



23.0 Option Parts & Illustrations

INTRODUCTION

This section lists and illustrates the replaceable assemblies and parts of the Bliss Box Former as manufactured by W. E. Plemons Machinery Services, Inc. Each parts list contains the component parts for that assembly.

23.1 Index

FIGURE / DESCRIPTION

FIGURE 23-1

LOWER BLANK STOP ASSEMBLY
BLISS KWIK CHANGE

FIGURE 23-1A

GEAR CRANK ASSEMBLY
BLISS KWIK CHANGE

FIGURE 23-2

BTM RAIL/ROLLER ASSEMBLY
BLISS KWIK CHANGE

FIGURE 23-3

COMPRESSION SCREW SHAFT ASSEMBLY
BLISS KWIK CHANGE

FIGURE 23-4

BLANK FEED ROLLER ASSEMBLY
BLISS KWIK CHANGE

FIGURE 23-5

COMPRESSION ASSEMBLY
BLISS KWIK CHANGE

FIGURE 23-6

TOP BLADE ADJUSTMENT ASSEMBLY
BLISS KWIK CHANGE

FIGURE 23-7

SIDE HOPPER ASSEMBLY
BLISS KWIK CHANGE

FIGURE 23-8

POWER HEAD FEED ASSEMBLY
BLISS KWIK CHANGE

FIGURE 23-9

POWER OUTFEED ASSEMBLY
W/ SKATE WHEELS-BLISS KWIK CHANGE

FIGURE 23-10

RIGHT CHAIN ATTACHMENT ASSEMBLY
BLISS KWIK CHANGE

FIGURE 23-11

LEFT CHAIN ASSEMBLY
BLISS KWIK CHANGE

23.2 Illustrated Parts

See Next Page

Bliss Box Former

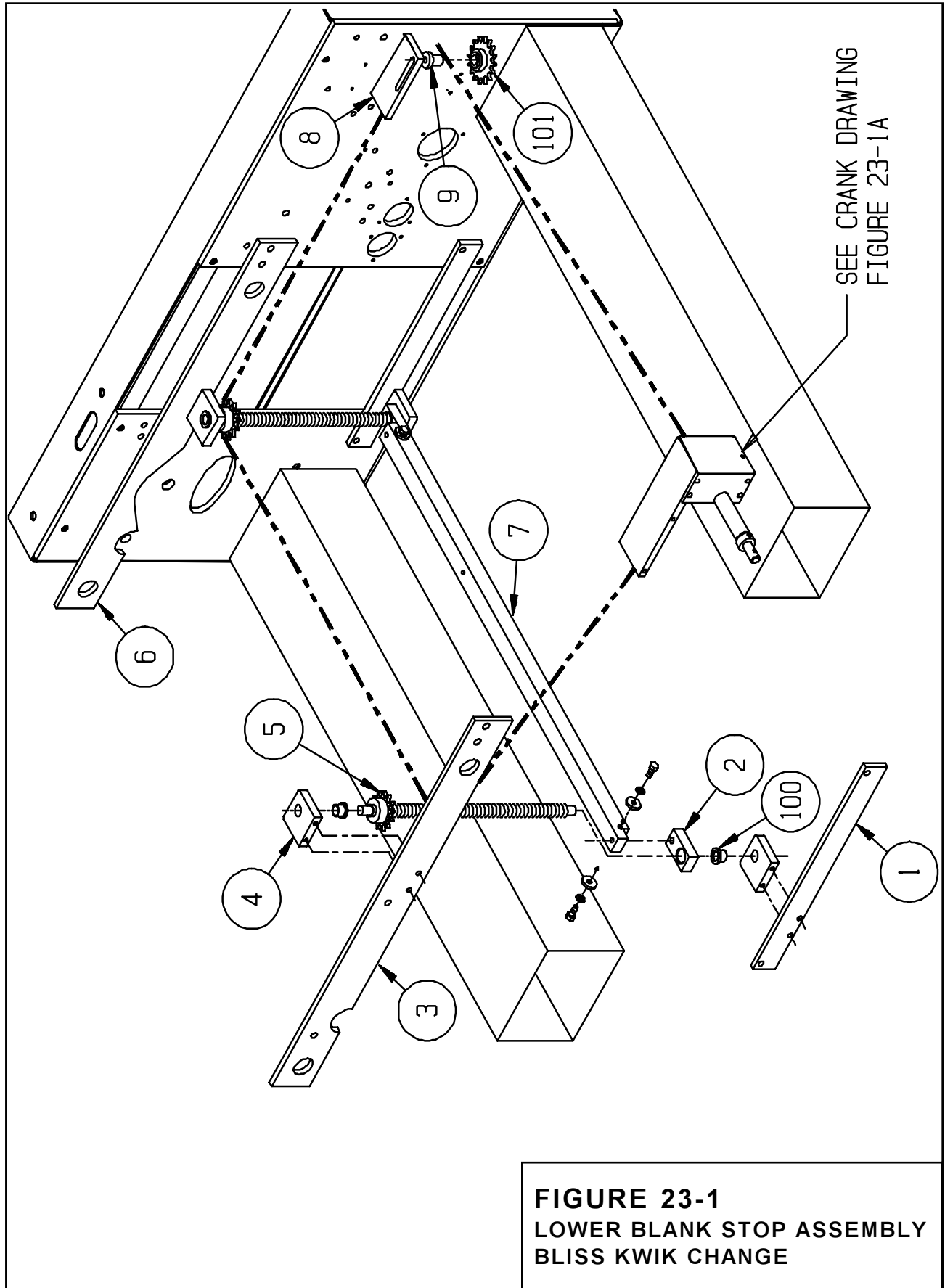


FIGURE 23-1
LOWER BLANK STOP ASSEMBLY
BLISS KWIK CHANGE

ITEM	PART NO.	DESCRIPTION	QTY.
1	2101900	BAR, LOWER MT BTM ADJ	2
2	0090300	BLOCK, BOTTOM STOP ADJ	2
3	2101600	BAR, LEFT SIDE SCREW MT	1
4	2101800R/L	BLOCK, VERTICLE SPROCKET MT	2/2
5	2102000	SCREW SPROCKET, BOTTOM STOP	2
6	2101500	BAR, RIGHT SIDE SCREW MT	1
7	2102100	BAR, BOTTOM STOP SUPPORT	1
8	2101700	BRACKET, RIGHT SIDE IDLER MT	1
9	2106800	AXLE, BTM & TOP LEFT IDLER	1
100	0208600	BUSHING, BRASS	4
101	0300101	IDLER SPROCKET	1



Bliss Box Former



Option Parts & Illustrations

Bliss Box Former



FIGURE 23-1A
GEAR CRANK ASSEMBLY
BLISS KWIK CHANGE

ITEM	PART NO.	DESCRIPTION	QTY.
1	2102500	MOUNT, CRANK HANDLE	1
2	2102900	MITER GEAR	1
3	2102600	GEAR STOP PIVOT	1
4	2102200	PLATE, GEAR BOX	1
5	2102700	SHAFT, GEAR BOX	1
6	2102300	PLATE, LOWER GEAR BOX	1
7	2102400	COVER, GEAR BOX	1
8	2102800	SPROCKET, MITER GEAR	1
100	0100400	SET COLLAR, 5/8"	1
101	0208600	BUSHING, BRASS	4
102	0208500	BUSHING, BRASS	1



Bliss Box Former

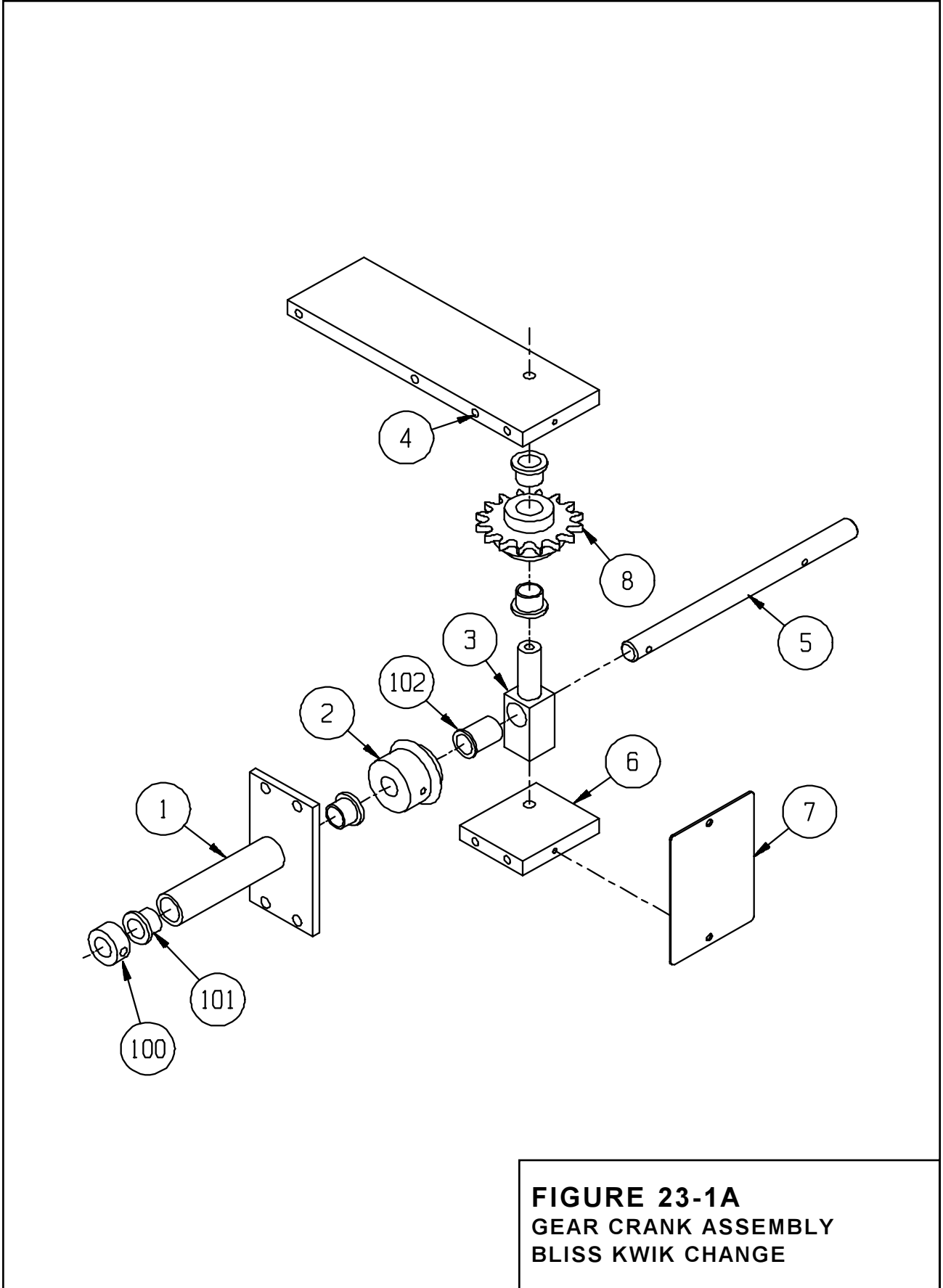


FIGURE 23-1A
GEAR CRANK ASSEMBLY
BLISS KWIK CHANGE

Option Parts & Illustrations

Bliss Box Former

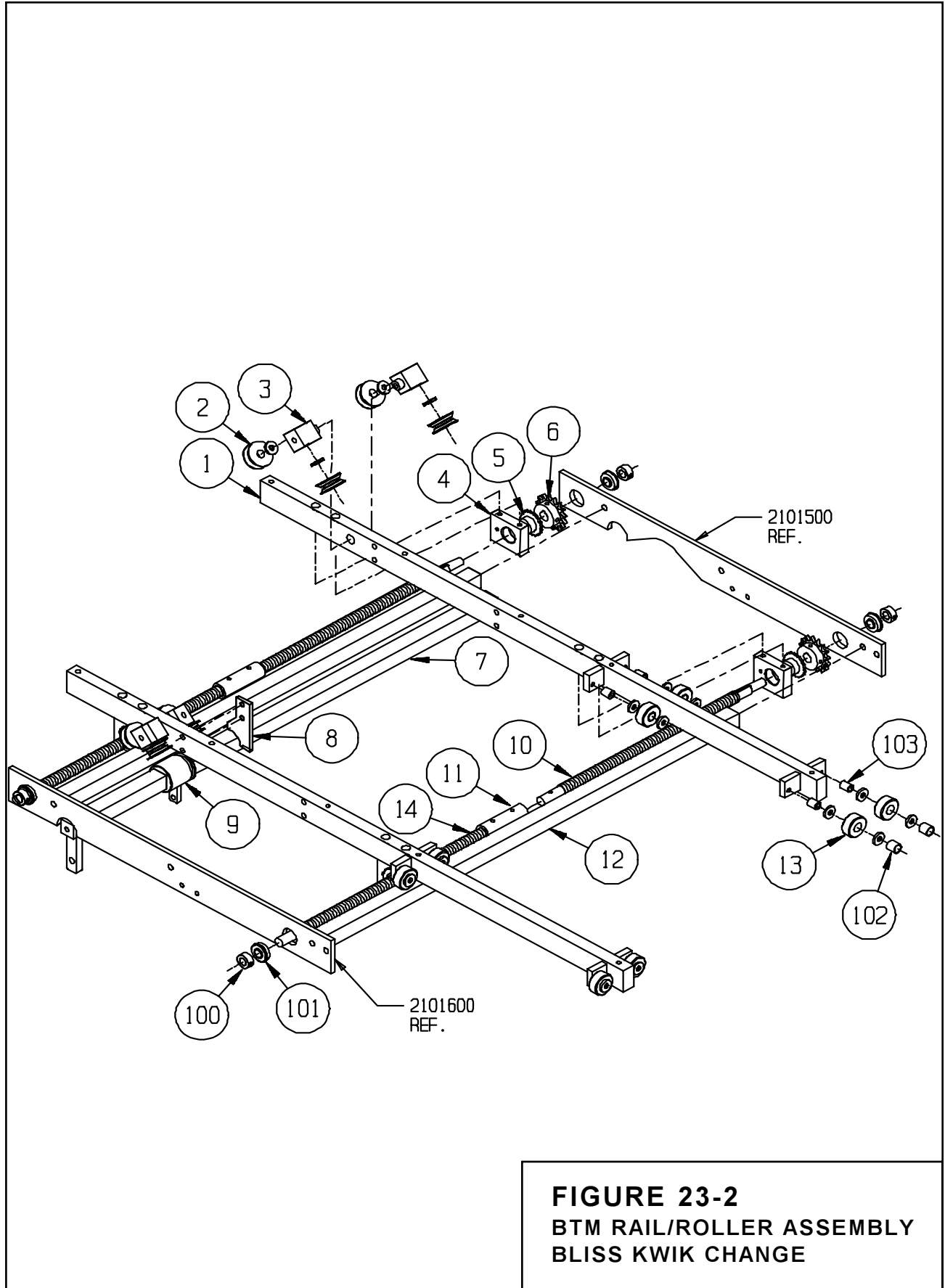


FIGURE 23-2
BTM RAIL/ROLLER ASSEMBLY
BLISS KWIK CHANGE

ITEM	PART NO.	DESCRIPTION	QTY.
1	2104000	BAR, MAIN HORIZONTAL	2
2	2103800	ROLLER, REAR TRACK	8
3	2103500	BLOCK, REAR ROLLER	4
4	2103100	MOUNT, LOWER SCREW	4
5	0082300R/L	DISC, ADJ SCREW	2/2
6	0087100	SPROCKET, COMP ADJ	2
7	2103200	BAR, LOWER COMP ADJ	1
8	2103400	BLADE, CLAMP LEVER	1
9	2103600	SLIDE, ARM COMPRESSION	1
10	2103000	SCREW SHAFT, RIGHT SIDE	2
11	0087000	COUPLING, SCREW ADJ	2
12	2103300	BAR, LOWER SPREADER	2
13	2103900	ROLLER, FRONT TRACK	8
14	2103700	SCREW SHAFT, LEFT SIDE	2
100	0100400	SET COLLAR, 5/8"	4
101	0500600	BEARING	4
102	0202200	BUSHING, BRASS	8
103	0206400	BUSHING	8



Bliss Box Former



Option Parts & Illustrations

Bliss Box Former



FIGURE 23-3
COMPRESSION SCREW SHAFT ASSY
BLISS KWIK CHANGE

ITEM	PART NO.	DESCRIPTION	QTY.
1	2104100	PLATE, TOP COMP SUPPORT	2
2	2104200	SCREW SHAFT, COMP ADJ	1
3	2107600	BAR, TOP COMP	1
4	0087000	COUPLING, SCREW ADJ	1
5	0087100	SPROCKET	1
6	2104400	AXLE, IDLER SPROCKET	3
7	2109600	MOUNT, RIGRT IDLER	1
8	2103100	MOUNT, LOWER SCREW	2
9	0082300R/L	DISC, SCREW ADJ	1/1
10	2103000	SCREW SHAFT, RIGHT SIDE	1
100	0500600	BEARING	2
101	0100400	SET COLLAR, 5/8"	2
102	0300101	IDLER SPROCKET	3



Bliss Box Former

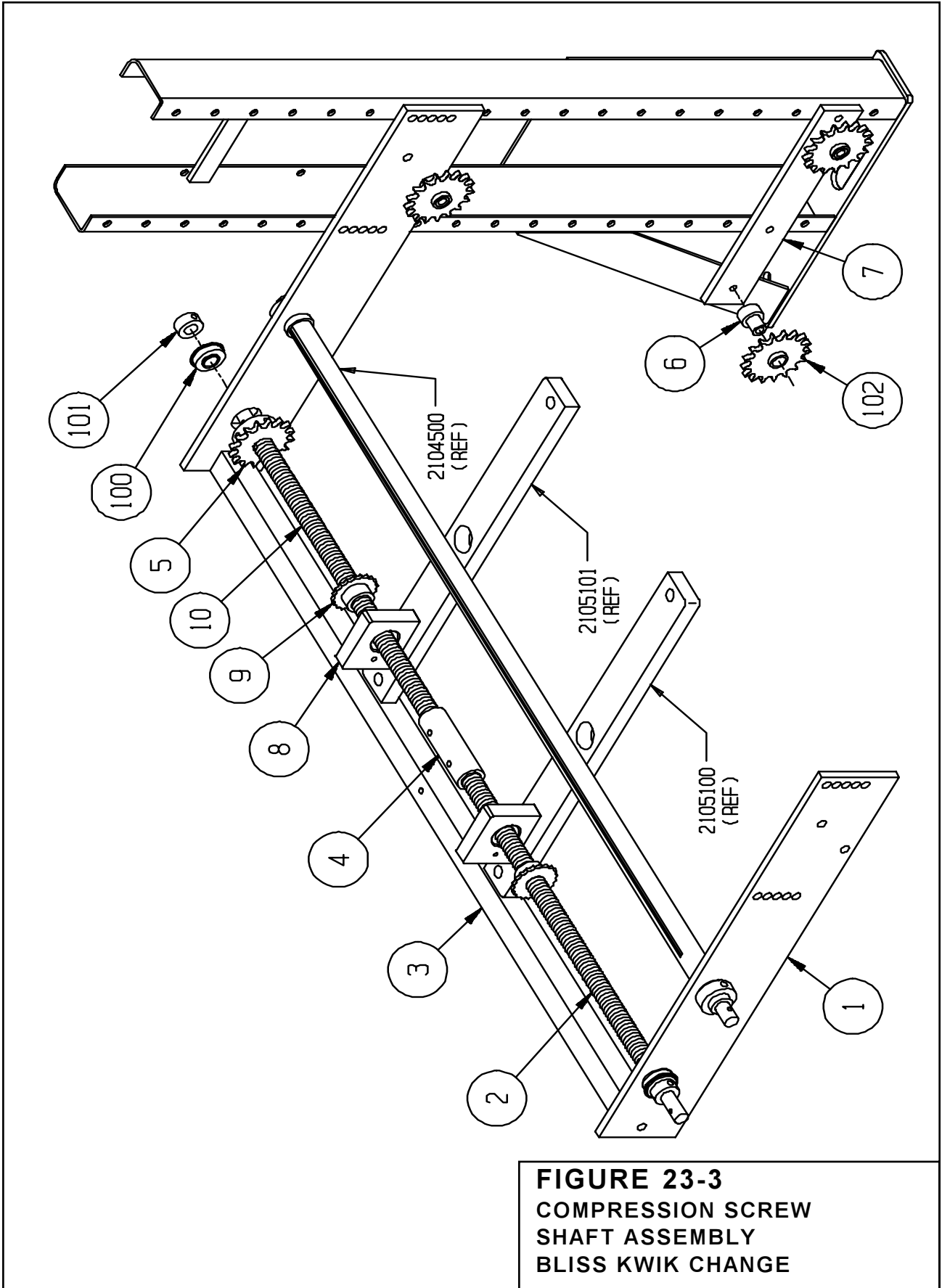


FIGURE 23-3
COMPRESSION SCREW
SHAFT ASSEMBLY
BLISS KWIK CHANGE

Option Parts & Illustrations

Bliss Box Former

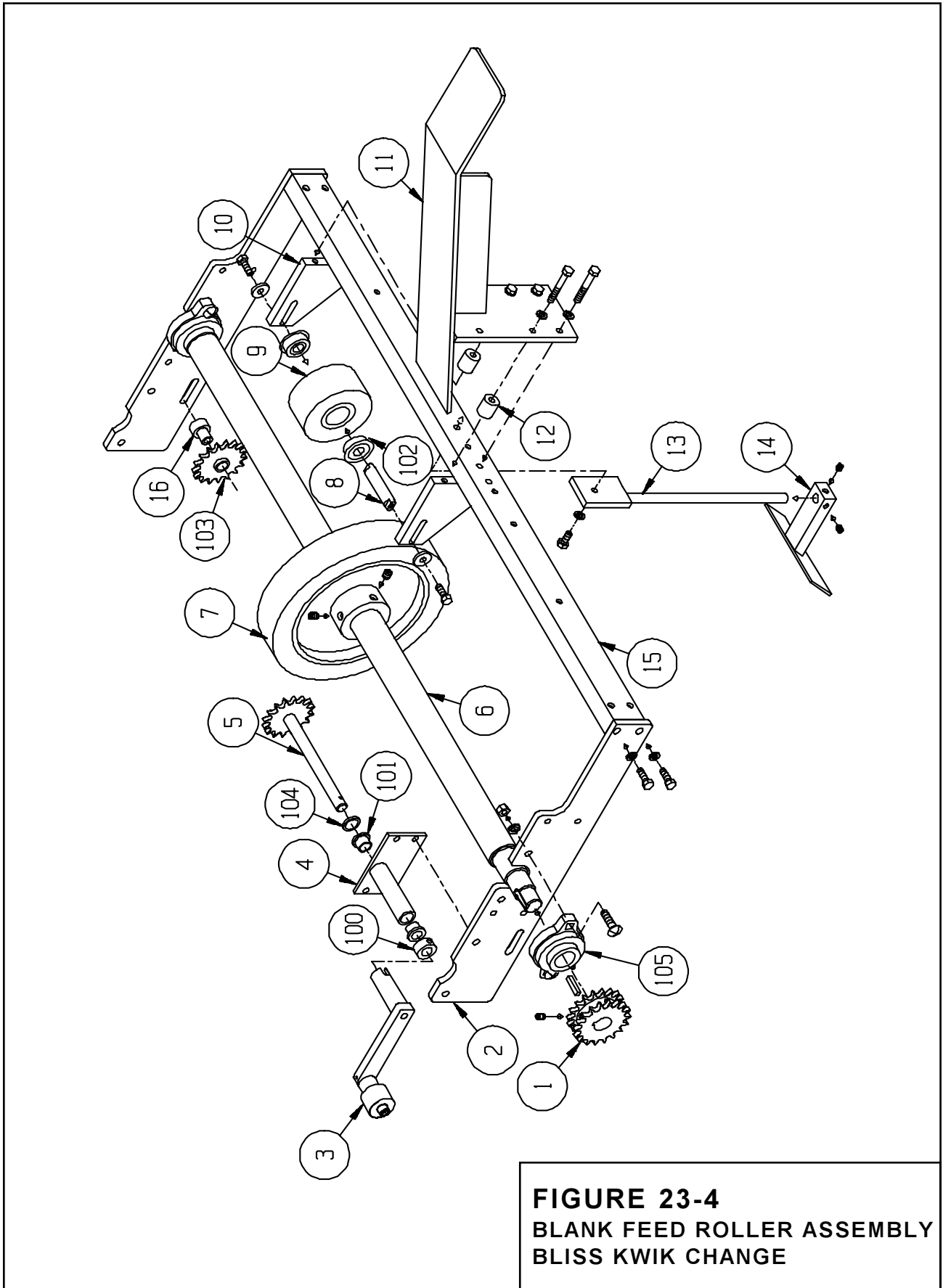


FIGURE 23-4
BLANK FEED ROLLER ASSEMBLY
BLISS KWIK CHANGE

ITEM	PART NO.	DESCRIPTION	QTY.
1	0045402	SPROCKET, VACUUM FEED DRIVE	1
2	2104300	PLATE, FEED ROLLER MOUNT	2
3	0082100	HANDLE ASSEMBLY	1
4	2102500	MOUNT, CRANK ASSEMBLY	1
5	0084200	SPROCKET, COMP & TREE DRIVE	1
6	0015207	SHAFT, BLANK FEED ROLLER	1
7	0018002	WHEEL, BLANK FEED	1
8	0018401	AXLE, IDLE ROLLER	1
9	0018100	ROLLER, FEED IDLER	1
10	0086000	MOUNT, IDLE ROLLER	2
11	0013607	HOPPER SUPPORT BRACKET	1
12	0208901	BUSHING	2
13	0048400	MATT DEFLECTOR ROD	1
14	0048500	MATT TOP DEFLECTOR	1
15	0020504	BAR, BLANK FEED IDLE ROLLER	1
16	2104400	AXLE, IDLER SPROCKET	1
100	0100400	SET COLLAR, 5/8"	1
101	0208600	BUSHING, BRASS	2
102	0500600	BEARING	2
103	0300101	IDLER SPROCKET	1
104	0205000	BUSHING	1
105	0501201	1 3/16 FLANGE BEARING	2



Bliss Box Former



Option Parts & Illustrations

Bliss Box Former



FIGURE 23-5
COMPRESSION ASSEMBLY
BLISS KWIK CHANGE

ITEM	PART NO.	DESCRIPTION	QTY.
1	2106200R/L	PLATE, COMPRESSION	1/1
2	2105200	SHAFT, COMPRESSION	4
3	0023900	BLOCK, LOWER COMP MOUNT	4
4	2104800	BLOCK, COMPRESSION	8
5	2105300	GUIDE, TUBE ASSY	4
6	2105000	PLATE, SHOE ADJ	2
7	2105900	BAR, VERTICLE SHOE ADJ	2
8	2104900	BLOCK, SCREW ADJ	2
9	0085400	SCREW SHAFT, COMP ADJ	2
10	2105101	BAR, TOP LEFT COMP PLATE	1
11	2106100	BAR, UPPER LEFT MOINT	1
12	2106500	KEY FOLLOWER	2
13	2106400	BEVEL GEAR, COMPRESSION	2
14	2107900	RETAINER, GEAR	2
15	2104700	MOUNT, BEVEL GEAR	2
16	2107800	RING SPACER	2
17	2104600	GUARD, BEVEL GEARS	2
18	2105500	SPACER, LEFT GEAR	1
*19	2105600	SPACER, RIGHT GEAR	1
20	2104500	SHAFT, TOP COMP ADJ	1
21	2105700R/L	PLATE, TOP SHOE ADJ	1/1
22	9072700	PLATE, GUIDE	2
23	2106300	ROD, VERTICLE ADJ	4
*25	2105100	BAR, TOP RIGHT COMP PLATE	
*26	2106101	BAR, UPPER RIGHT MOUNT	1
27	2109500R/L	ANGLE, BOX END GUIDE	1/1
28	9074900	MOUNT, LINEAR BEARING	2
29	9076300	SHAFT LOCK	1
30	9076400	LOCK BOLT	1
31	0047200	RETAINER, LINEAR BEARING	8
32	0047300	SEAL, LINEAR BEARING	8
33	0047100	BEARING, LINEAR SLIDE	8
100	1807500	CLIP RING	2
101	0207700	BUSHING, BRASS	2
102	0204701	BUSHING, BRASS	4
103	0203800	SPACER	16
104	0204700	BUSHING, BRASS	4

* Not Shown



Bliss Box Former

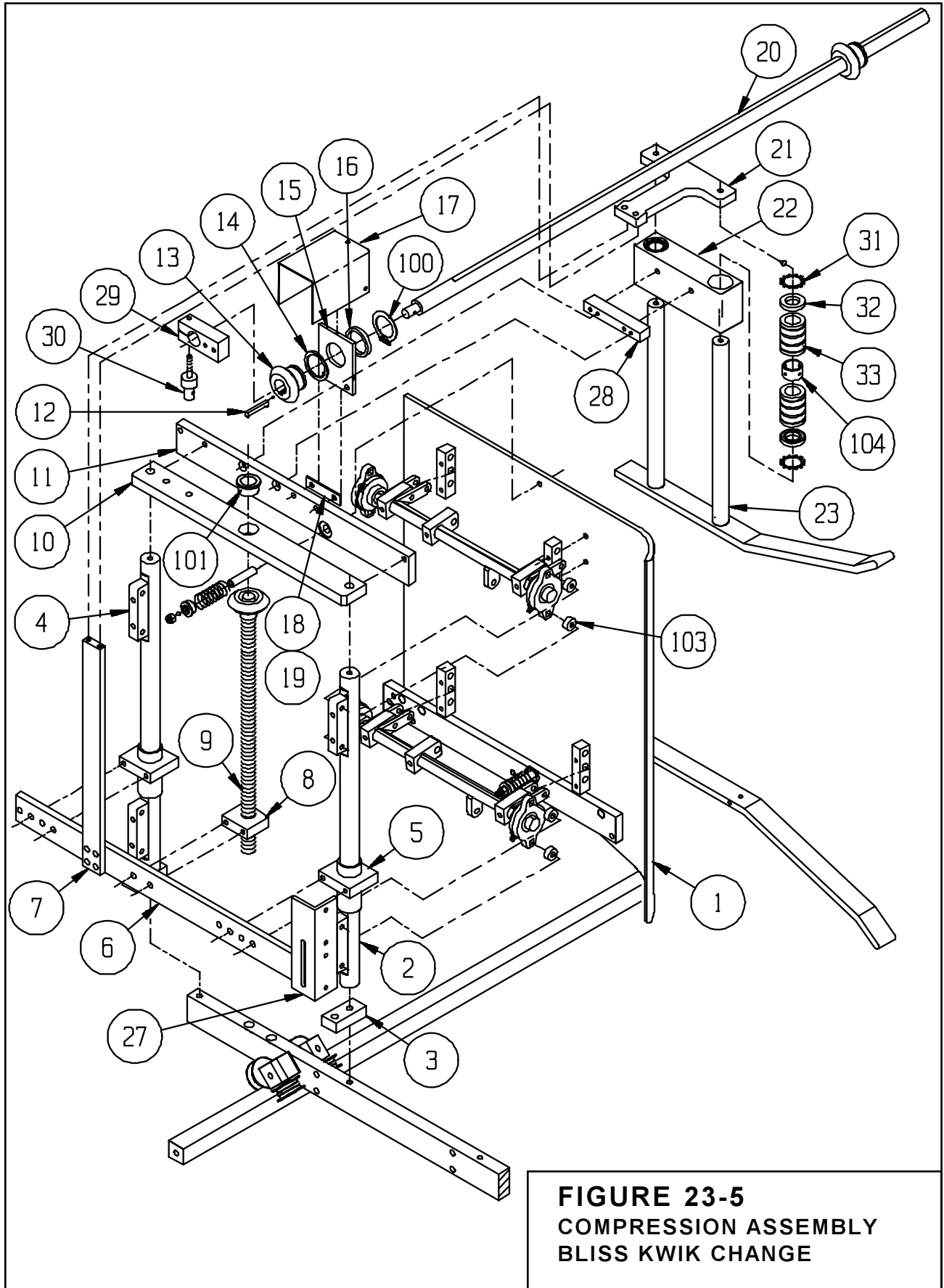


FIGURE 23-5
COMPRESSION ASSEMBLY
BLISS KWIK CHANGE

Option Parts & Illustrations

Bliss Box Former



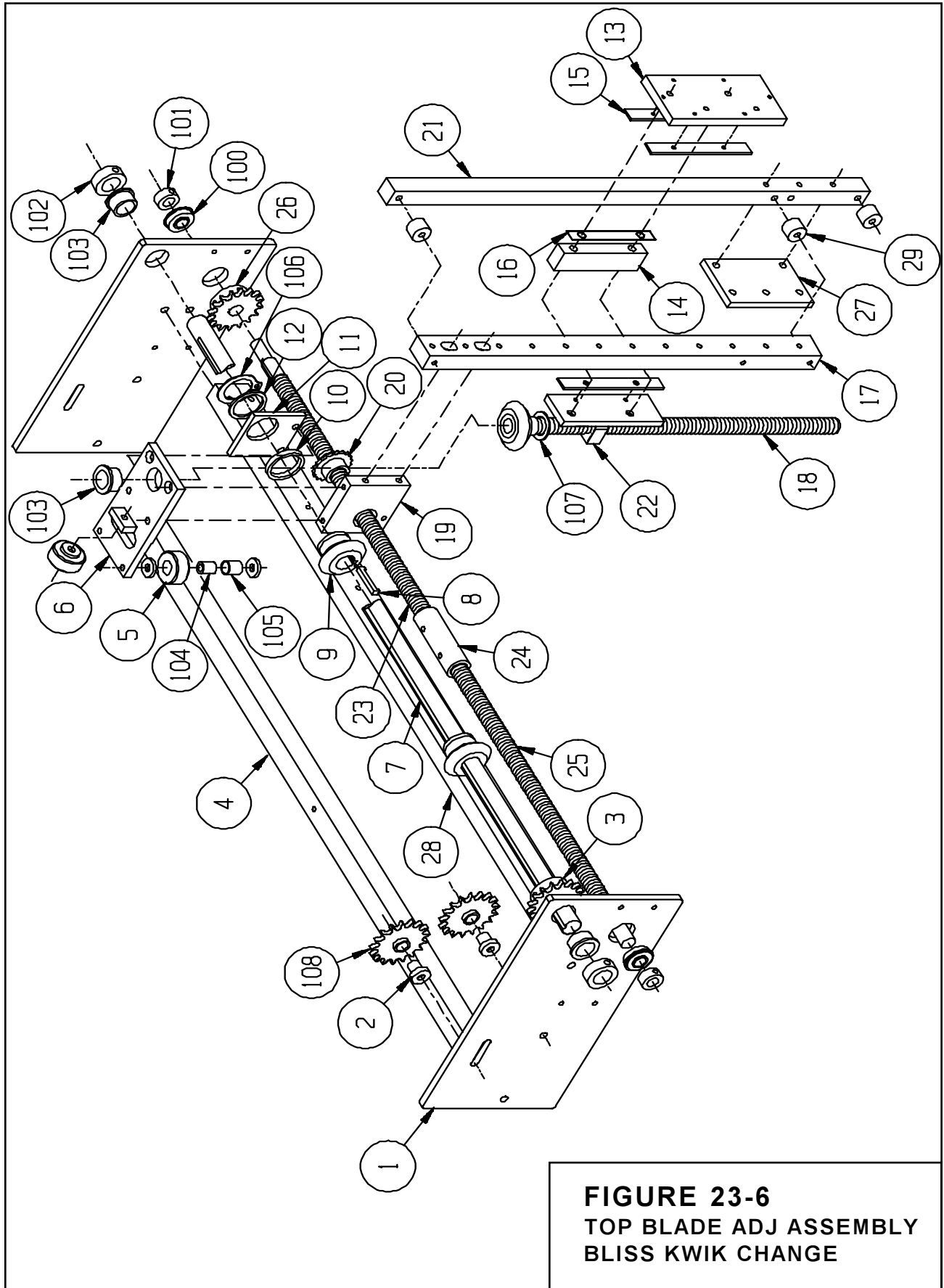
FIGURE 23-6
TOP BLADE ADJ ASSEMBLY
BLISS KWIK CHANGE

ITEM	PART NO.	DESCRIPTION	QTY.
1	2106600	PLATE, UPPER ADJUSTMENT	2
2	2106800	AXLE, LH & BTM SPROCKET	2
3	0089200	SPROCKET, 41B16	1
4	2107600	BAR, TOP ADJUSTMENT	1
5	2103900	ROLLER, TRACK	6
6	2107400	BRACKET, TOP ADJUSTING	2
7	2107500	SHAFT, TOP ADJUSTING	1
8	2106500	KEY FOLLOWER	2
9	2106400	BEVEL GEAR, 12B30	2
10	2107800	RING SPACER	2
11	2107700	PLATE, SUPPORT	2
12	2107900	RETAINER, GEAR	2
13	2106900	PLATE, GUIDE	2
14	2107000	BLOCK, UPPER GUIDE	2
15	0086100	WEAR STRIP	6
16	0089700	SHIM	2
17	2107200	BAR, HOPPER GUIDE	2
18	0085400	SCREW, TOP COMP ADJ	2
19	2106700	BLOCK, UPPER SCREW	2
20	0082300R/L	DISC, SCREW ADJ	1/1
21	2107100	BAR, VERTICLE GUIDE	2
22	0089600R/L	BLOCK, MATT HOPPER ADJ	1/1
23	2103000	SCREW SHAFT, RIGHT SIDE	1
24	0087000	COUPLING, SCREW ADJ	1
25	2103700	SCREW SHAFT, LEFT SIDE	1
26	0087100	SPROCKET, 41B16	1
27	2107300	PLATE, UPPER SPLICE GUIDE	2
28	0020504	BAR, BLANK FEED IDLE ROLLER	1
29	0088300	SPACER, MATT GUIDE BAR MTG	6
100	0500600	BEARING	2
101	0100400	SET COLLAR, 5/8"	2
102	0100700	SET COLLAR, 1"	2
103	0207700	BUSHING, BRASS	4
104	0206400	BUSHING	6
105	0202200	BUSHING, BRASS	6
106	1807500	CLIP RING	2
107	0087600	WASHER, THRUST	2
108	0300101	IDLER SPROCKET	2

Option Parts & Illustrations



Bliss Box Former



Option Parts & Illustrations

Bliss Box Former

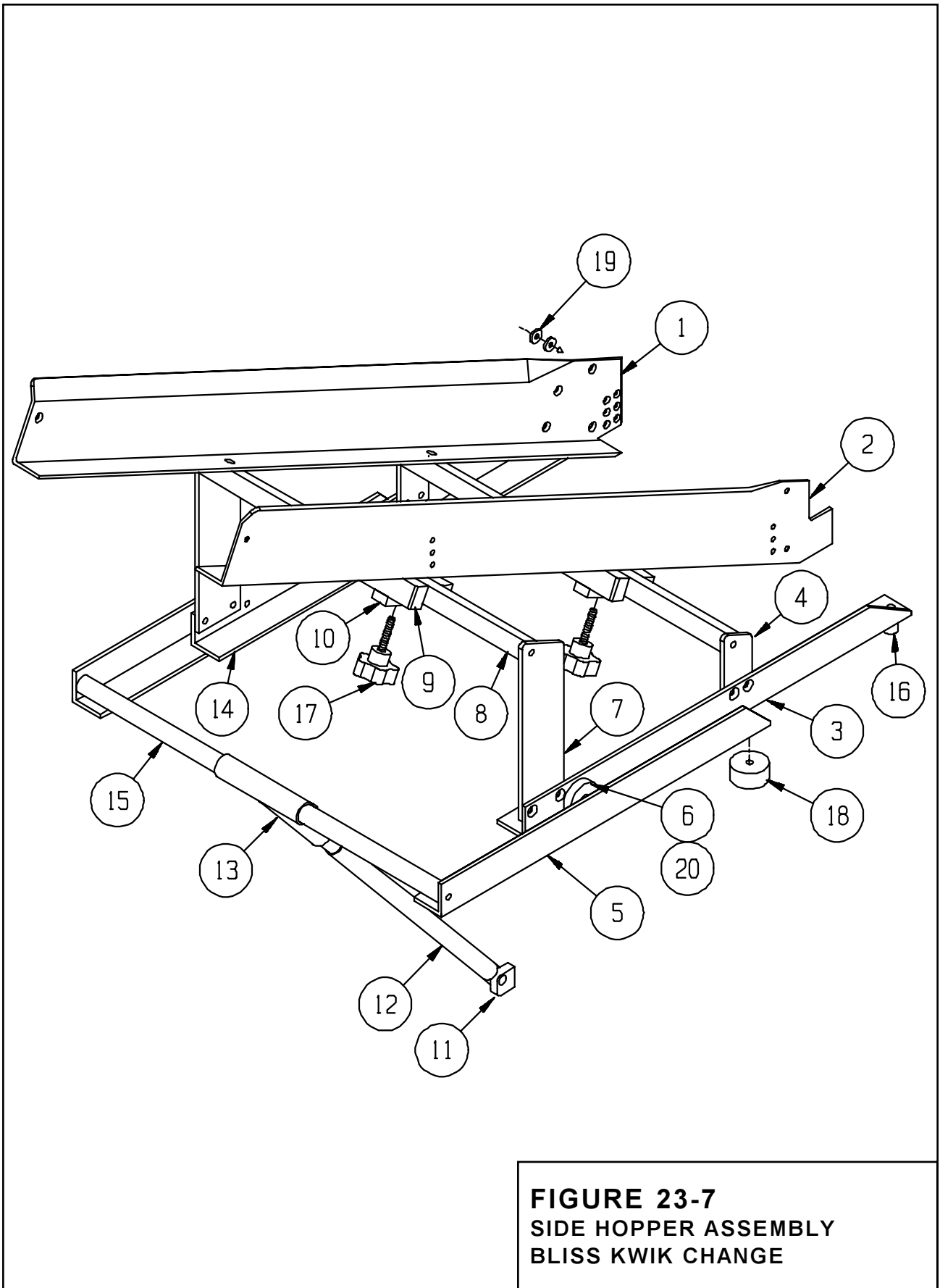


FIGURE 23-7
SIDE HOPPER ASSEMBLY
BLISS KWIK CHANGE

ITEM	PART NO.	DESCRIPTION	QTY.
1	2109100R/L	RAIL, INSIDE END HOPPER	1/1
2	2109200R/L	RAIL, OUTSIDE END HOPPER	1/1
3	2108000R/L	ANGLE, FRONT ROLLER GUIDE	1/1
4	2108300	UPRIGHT, FRONT HOPPER SUP	4
5	2108700R/L	TRACK, HOPPER	2/2
6	2108900	WHEEL, HOPPER	4
7	2108200	UPRIGHT, REAR HOPPER SUP	4
8	2108400	BAR, HOPPER SUPPORT	4
9	2108600	BLOCK, ADJUSTING	8
10	2108500	BAR, HOPPER CLAMP	4
11	0029600	MOUNT, END HOPPER SUPPORT	2
12	2109000	SHAFT, HOPPER SUPPORT	2
13	0035600	CONNECTING ROD END	2
14	2108100R/L	ANGLE, REAR ROLLER GUIDE	1/1
15	2108800	BAR, HOPPER SUPPORT	2
16	0209700	BUSHING	2
17	1809600	KNOB, HOPPER	4
18	2108901	SPACER, HOPPER	4
19	1501500	WASHER	8
20	0208400	BUSHING, BRASS	4



Bliss Box Former



Option Parts & Illustrations

Bliss Box Former

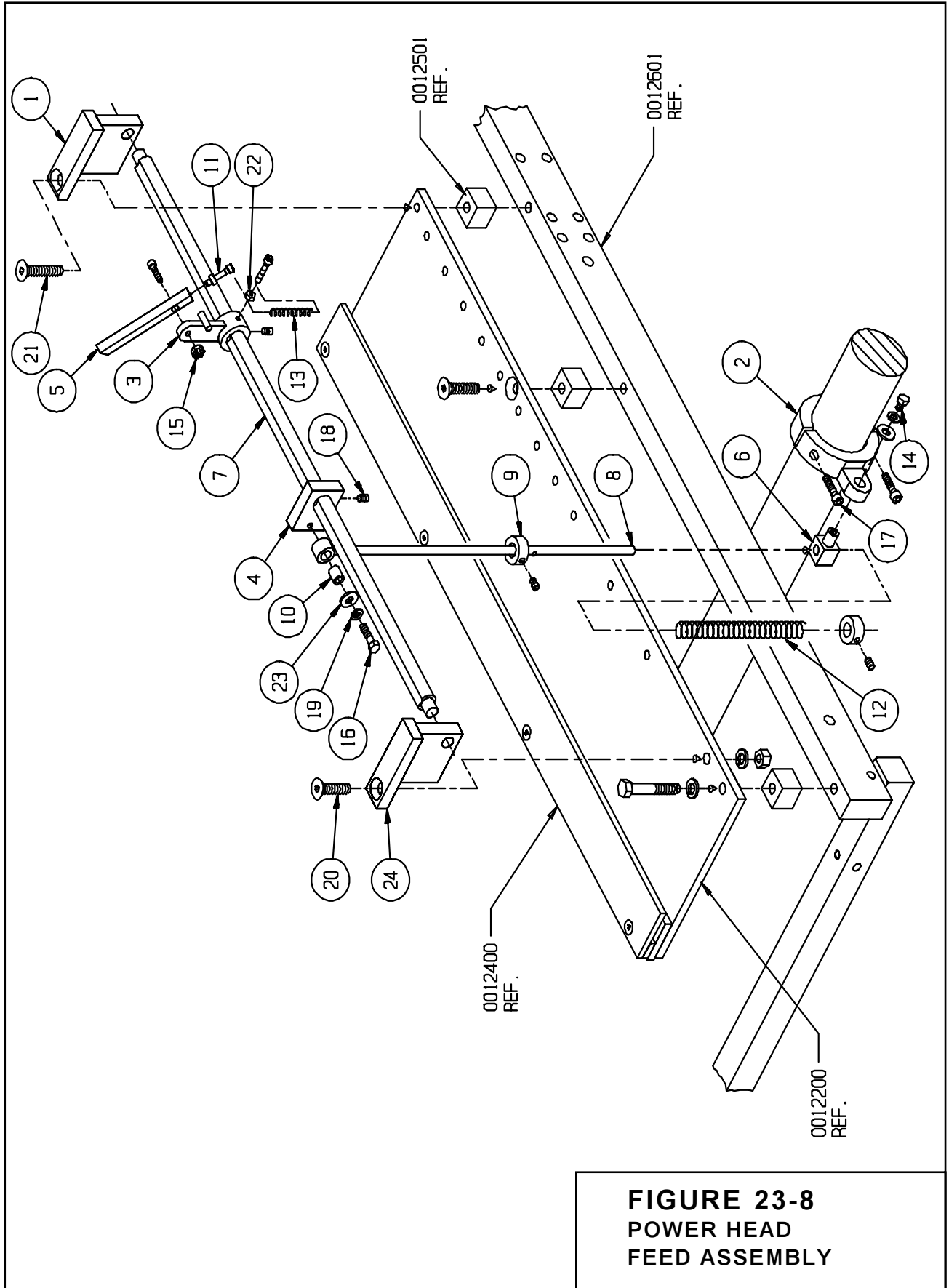


FIGURE 23-8
POWER HEAD
FEED ASSEMBLY

ITEM	PART NO.	DESCRIPTION	QTY.
1	0038202	SHAFT MOUNT	2
2	0038300	CRANK, MAIN SHAFT	2
3	0038400	PUSHER, OPERATING LEVER	2
4	0038500	LEVER, SHAFT OPERATING	2
5	0038600	PAWL, HEAD PUSHER	2
6	0038700	BLOCK, CON ROD PIVOT	2
7	0038801	SHAFT, END FEED	2
8	0038901	ROD, SHAFT CON	2
9	0100100	5/16 SET COLLAR	4
10	0201000	BUSHING	2
11		10-32 SKT HD CAP SCR X 1 LG	6
12	1201400	SPRING	2
13	1201500	SPRING	2
14		1/4-20 HEX HD CAP SCR X 1/2 LG	2
15		1/4-20 FIBER LOCK NUT	2
16		1/4-20 HEX HD CAP SCR X 1 LG	2
17		1/4-20 SKT HD CAP SCR X 1 LG	4
18		5/16-18 OVAL PT SET SCR X 3/4 LG	4
19		1/4 STD LOCK WASHER	4
20		3/8-16 SKT HD CAP SCR X 1 1/4 LG	2
21		3/8-16 SKT HD CAP SCR X 2 1/4 LG	2
22		10-32 HEX HD NUT	2
23		1/4 SAE FLT WASHER	4
24	0038201	SHAFT MOUNT	2



Bliss Box Former



Option Parts & Illustrations

Bliss Box Former



FIGURE 23-9
POWER OUTFEED ASSEMBLY
W/ SKATE WHEELS-BKC

ITEM	PART NO.	DESCRIPTION	QTY.
1	0060000	BRACE, CYLINDER MTG PLATE	1
2	0058200	MOUNT, AIR CYLINDER	1
3	0059300	AIR CYLINDER	1
4	0058100	MOUNT, OUTFEED PAWL	1
5	0043301	MT BLOCK, END PICK PAWL	2
6	0059700	PAWL, EJECTOR	2
7	0058500	BRACKET, PAWL PLATE MT	1
8	0058400	SPLICE, DISCHARGE SHOE	2
9	0058300	SHOE, BOTTOM DISCHARGE	2
10	9053400	MOUNT, SKATE WHEEL	2
11	9053500R/L	ANGLE, VERTICLE ADJ. ROD	1/1
12	9053300R/L	SHOE, UPPER BOX FORMING	1/1
100	1200200	SPRING	2
101	0500300	WFEEL, SKATE	6



Bliss Box Former

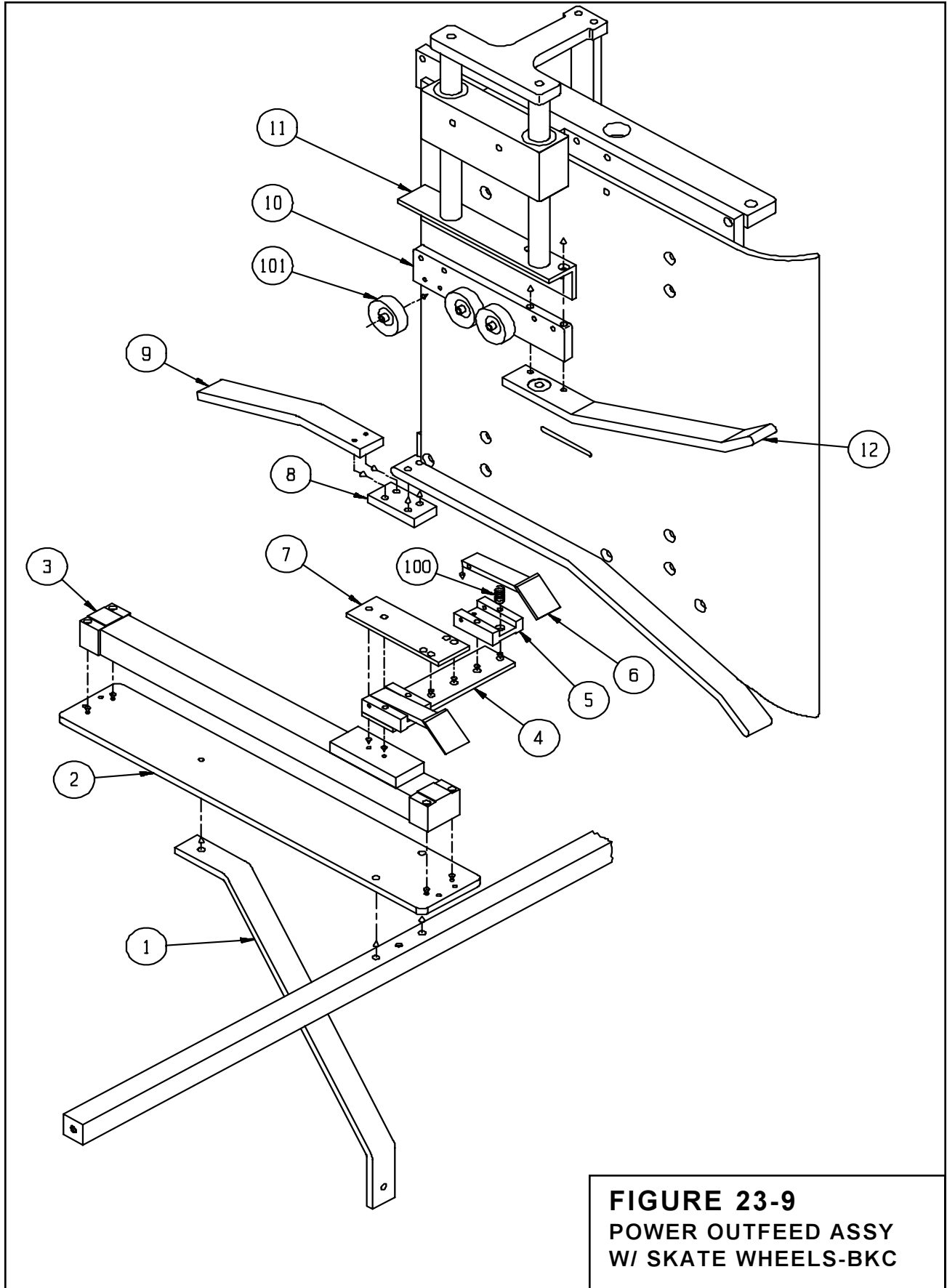


FIGURE 23-9
POWER OUTFEED ASSY
W/ SKATE WHEELS-BKC

Option Parts & Illustrations

Bliss Box Former



Option Parts & Illustrations

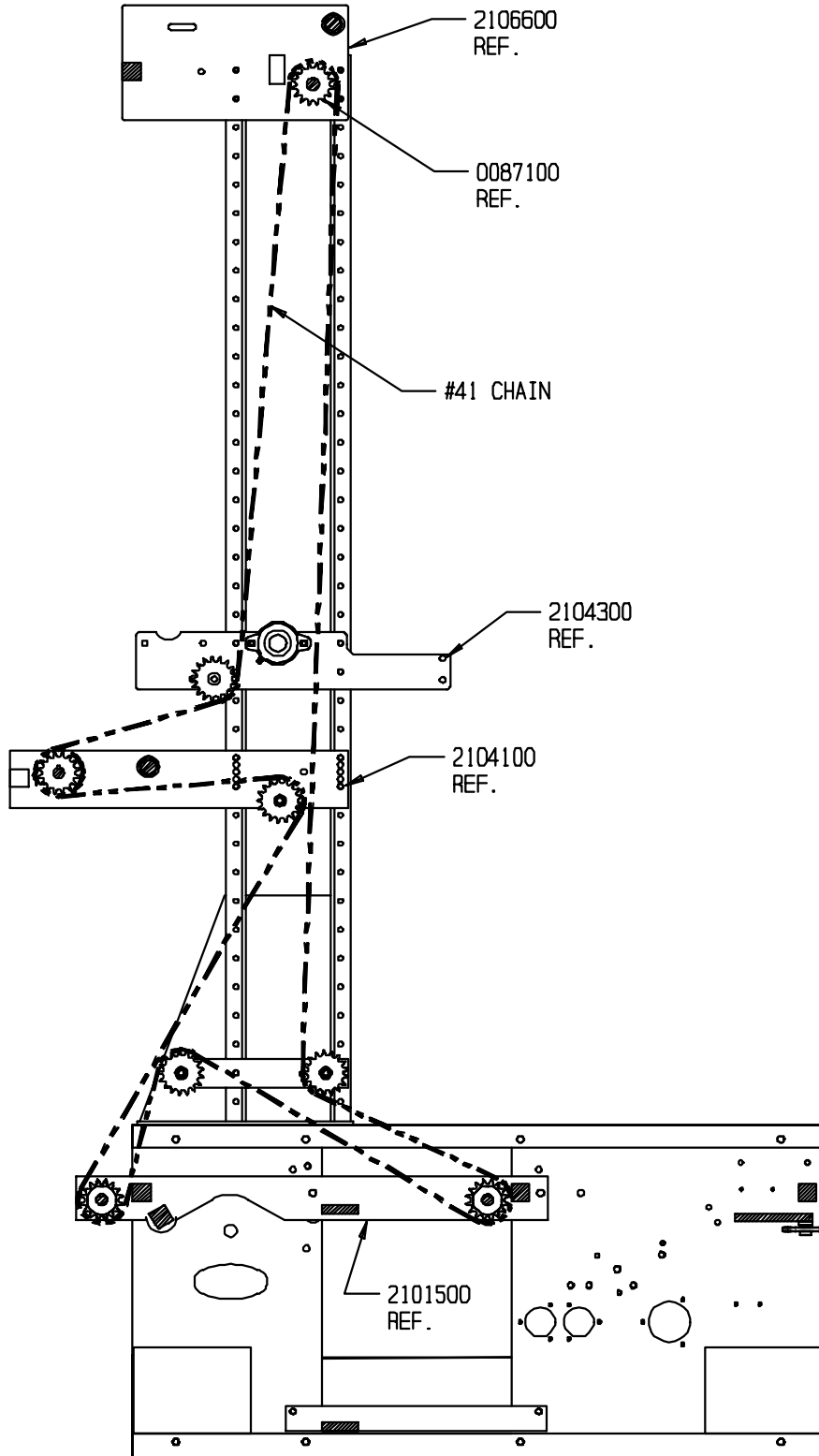
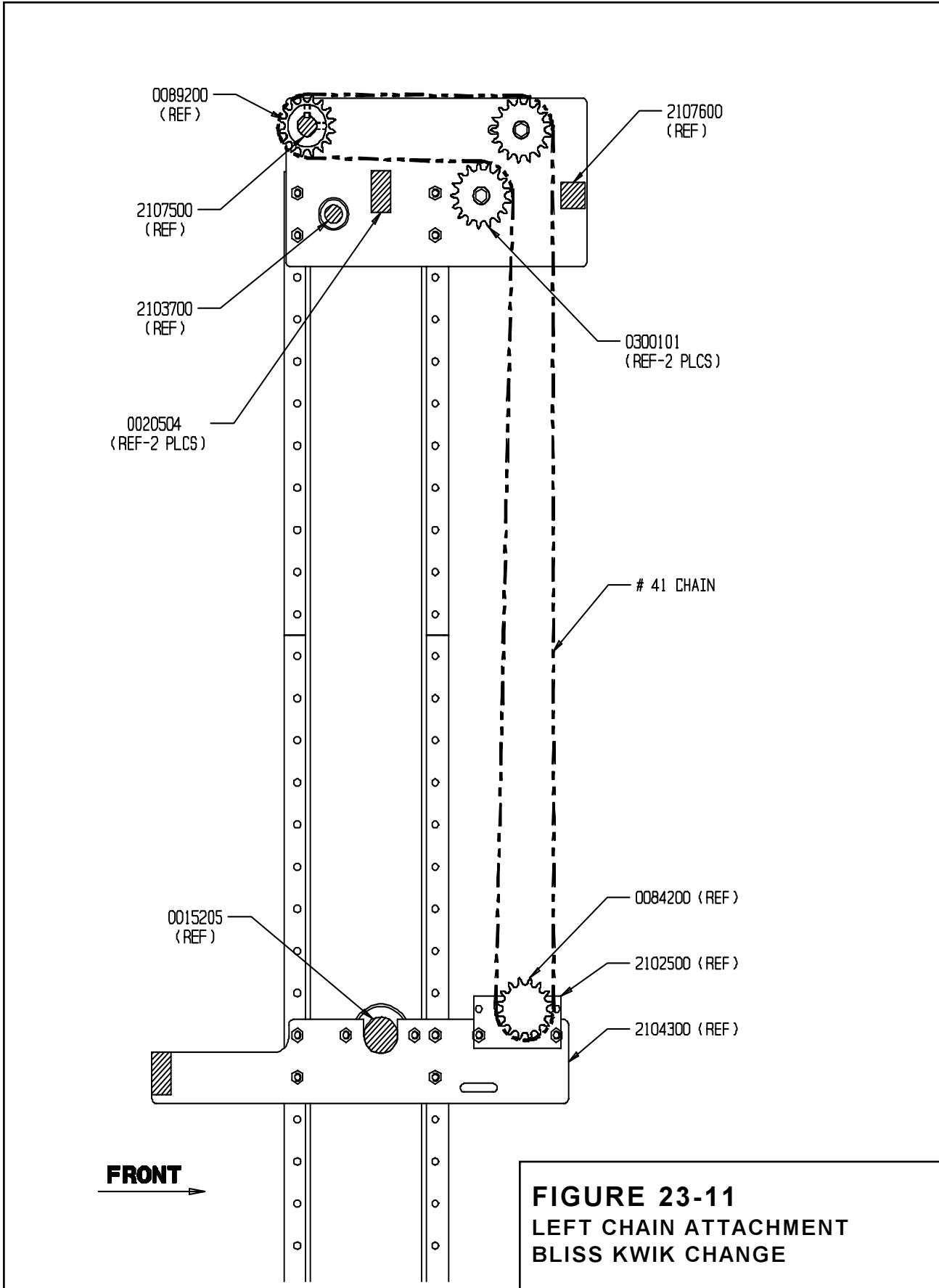


FIGURE 23-10
RIGHT CHAIN ATTACHMENT
BLISS KWIK CHANGE



Bliss Box Former



Option Parts & Illustrations



THIS PAGE IS BLANK

Option Parts & Illustrations