



10.0 Option Parts & Illustrations

INTRODUCTION

This section lists and illustrates the replaceable assemblies and parts of the Bliss Box Former as manufactured by W. E. Plemons Machinery Services, Inc. Each parts list contains the component parts for that assembly.

10.1 Index

FIGURE / DESCRIPTION

FIGURE 10-1

LOWER BLANK STOP ASSEMBLY
BLISS KWIK CHANGE

FIGURE 10-2

GEAR CRANK ASSEMBLY
BLISS KWIK CHANGE

FIGURE 10-3

BTM RAIL/ROLLER ASSEMBLY
BLISS KWIK CHANGE

FIGURE 10-4

MANDREL GUIDE RAIL ASSEMBLY
BLISS KWIK CHANGE

FIGURE 10-5

COMPRESSION SCREW SHAFT ASSEMBLY
BLISS KWIK CHANGE

FIGURE 10-6

BLANK FEED ROLLER ASSEMBLY
BLISS KWIK CHANGE

FIGURE 10-7

COMPRESSION ASSEMBLY
BLISS KWIK CHANGE

FIGURE 10-8

TOP BLADE ADJUSTMENT ASSEMBLY
BLISS KWIK CHANGE

FIGURE 10-9

SIDE HOPPER ASSEMBLY
BLISS KWIK CHANGE

FIGURE 10-10

WEIGHT SYSTEM ASSEMBLY
BLISS KWIK CHANGE

FIGURE 10-11

RIGHT CHAIN ATTACHMENT ASSEMBLY
BLISS KWIK CHANGE

FIGURE 10-12

LEFT CHAIN ASSEMBLY
BLISS KWIK CHANGE

10.2 Illustrated Parts

See Next Page

Bliss Box Former

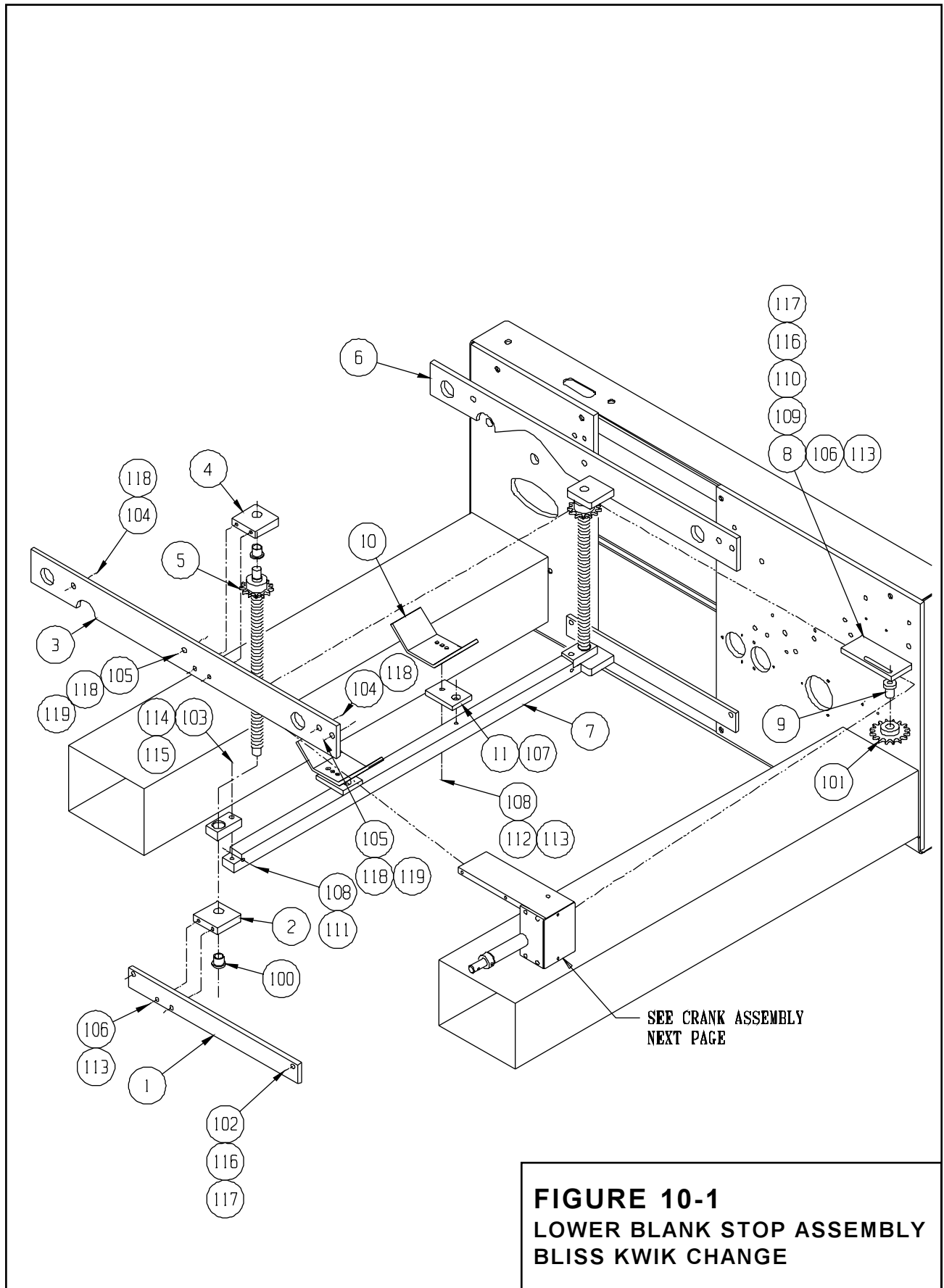


FIGURE 10-1
LOWER BLANK STOP ASSEMBLY
BLISS KWIK CHANGE

ITEM	PART NO.	DESCRIPTION	QTY.
1	2101900	BAR, LOWER MT BTM ADJ	2
2	0090300	BLOCK, BOTTOM STOP ADJ	2
3	2101600	BAR, LEFT SIDE SCREW MT	1
4	2101800R/L	BLOCK, VERTICLE SPROCKET MT	2/2
5	2102000	SCREW SPROCKET, BOTTOM STOP	2
6	2101500	BAR, RIGHT SIDE SCREW MT	1
7	2102100	BAR, BOTTOM STOP SUPPORT	1
8	2101700	BRACKET, RIGHT SIDE IDLER MT	1
9	2106800	AXLE, BTM & TOP LEFT IDLER	1
10	0030902	STOP, BOTTOM	2
11	0090400	SPACER, BOTTOM STOP	2
100	0208600	BUSHING, BRASS	4
101	0300101	IDLER SPROCKET	1



Bliss Box Former



Option Parts & Illustrations

Bliss Box Former



FIGURE 10-2
GEAR CRANK ASSEMBLY
BLISS KWIK CHANGE

ITEM	PART NO.	DESCRIPTION	QTY.
1	2102500	MOUNT, CRANK HANDLE	1
2	2102900	MITER GEAR	1
3	2102600	GEAR STOP PIVOT	1
4	2102200	PLATE, GEAR BOX	1
5	2102700	SHAFT, GEAR BOX	1
6	2102300	PLATE, LOWER GEAR BOX	1
7	2102400	COVER, GEAR BOX	1
8	2102800	SPROCKET, MITER GEAR	1
100	0100400	SET COLLAR, 5/8"	1
101	0208600	BUSHING, BRASS	4
102	0208500	BUSHING, BRASS	1



Bliss Box Former

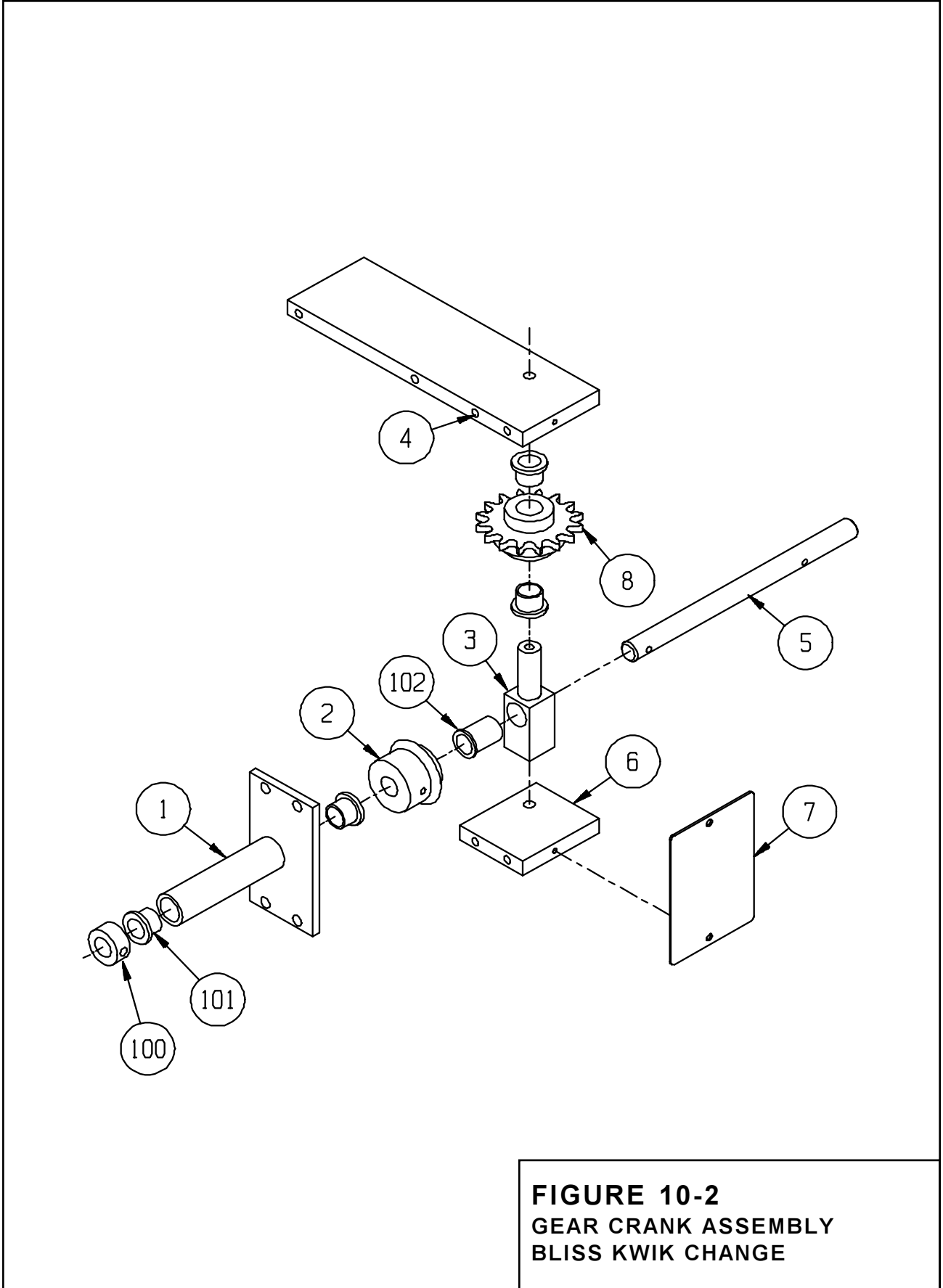


FIGURE 10-2
GEAR CRANK ASSEMBLY
BLISS KWIK CHANGE

Option Parts & Illustrations

Bliss Box Former

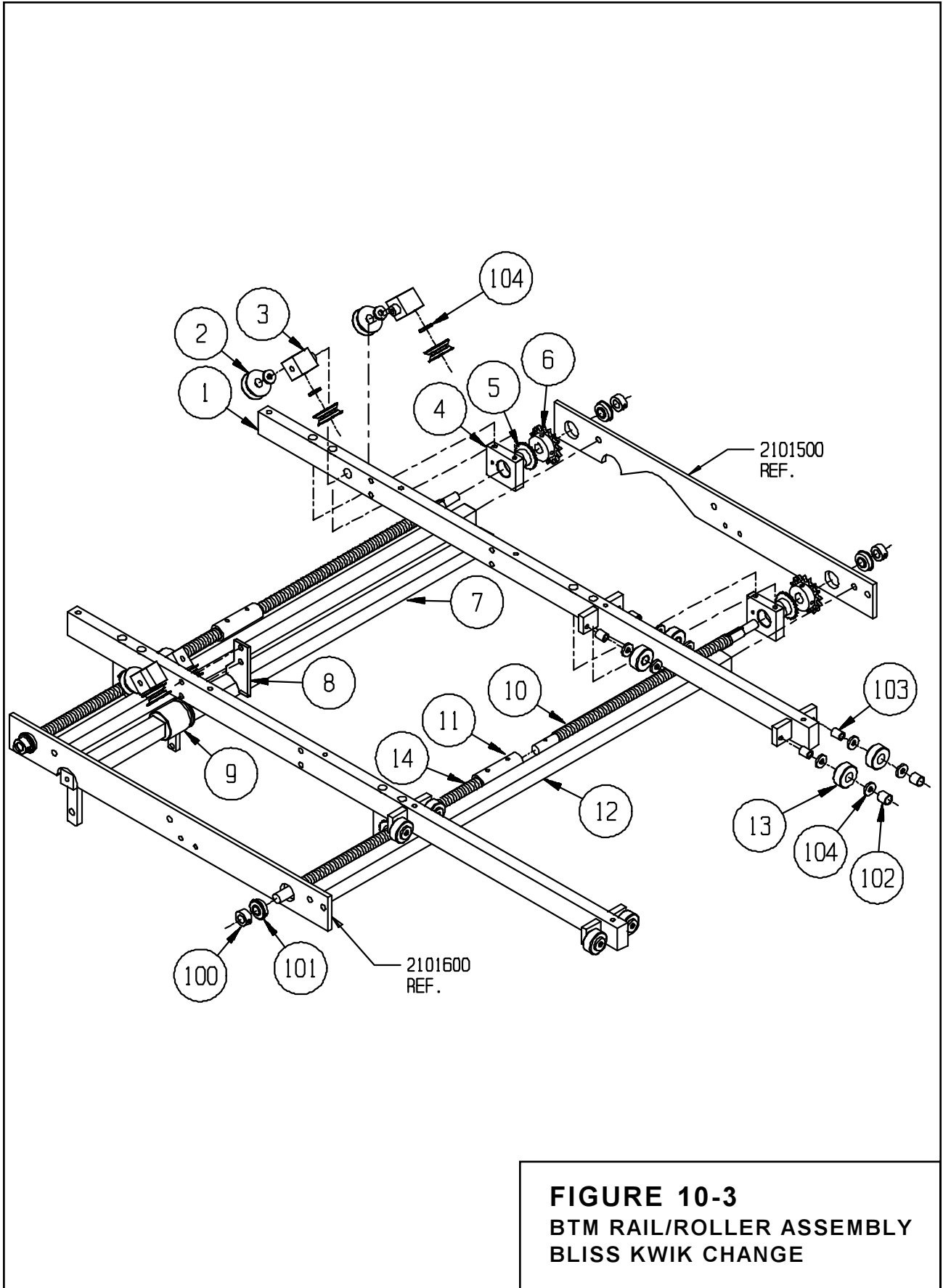


FIGURE 10-3
BTM RAIL/ROLLER ASSEMBLY
BLISS KWIK CHANGE

ITEM	PART NO.	DESCRIPTION	QTY.
1	2104000	BAR, MAIN HORIZONTAL	2
2	2103800	ROLLER, REAR TRACK	8
3	2103500	BLOCK, REAR ROLLER	4
4	2103100	MOUNT, LOWER SCREW	4
5	0082300R/L	DISC, ADJ SCREW	2/2
6	0087100	SPROCKET, COMP ADJ	2
7	2103200	BAR, LOWER COMP ADJ	1
8	2103400	BLADE, CLAMP LEVER	2
9	2103600	SLIDE, ARM COMPRESSION	2
10	2103000	SCREW SHAFT, RIGHT SIDE	2
11	0087000	COUPLING, SCREW ADJ	2
12	2103300	BAR, LOWER SPREADER	2
13	2103900	ROLLER, FRONT TRACK	8
14	2103700	SCREW SHAFT, LEFT SIDE	2
100	0100400	SET COLLAR, 5/8"	4
101	0500600	BEARING	4
102	0202200	BUSHING, BRASS	8
103	0206400	BUSHING	8
104	1500200	WASHER	24



Bliss Box Former



Option Parts & Illustrations

Bliss Box Former

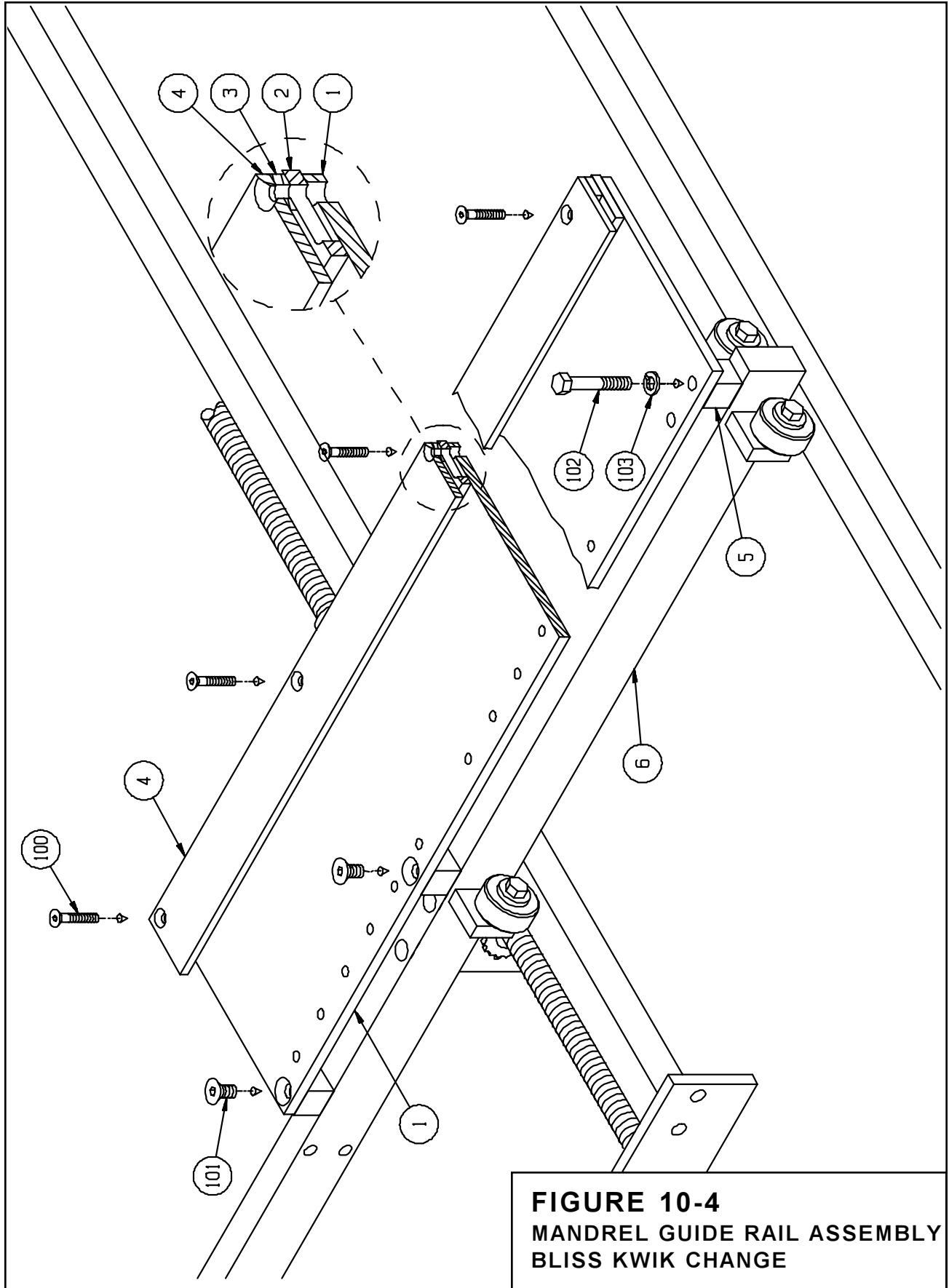


FIGURE 10-4 MANDREL GUIDE RAIL ASSEMBLY BLISS KWIK CHANGE

ITEM	PART NO.	DESCRIPTION	QTY.
1	0012201R/L	PLATE, MANDREL SUPPORT	1/1
2	0012300	RAIL, MANDREL GUIDE	2
3	0031200	SHIM, GUIDE CAP	2
4	0012400R/L	STRIP, MANDREL CAP	1/1
5	0012501	SPACER, MANDREL SUPPORT	6
7	2104000	BAR, MAIN HORIZONTAL	REF
100		1/4-20NC SCKT FH X 1 1/4 LG	8
101		3/8-16NC SCKT FH X 1 1/2 LG	4
102		3/8-16NC HEX BOLT X 2 1/4 LG	2
103		3/8 SAE LOCK WASHER	2



Bliss Box Former



Option Parts & Illustrations

Bliss Box Former



FIGURE 10-5
COMPRESSION SCREW SHAFT ASSY
BLISS KWIK CHANGE

ITEM	PART NO.	DESCRIPTION	QTY.
1	2104100	PLATE, TOP COMP SUPPORT	2
2	2104200	SCREW SHAFT, COMP ADJ	1
3	2107600	BAR, TOP COMP	1
4	0087000	COUPLING, SCREW ADJ	1
5	0087100	SPROCKET	1
6	2104400	AXLE, IDLER SPROCKET	3
7	2109600	MOUNT, RIGRT IDLER	1
8	2103100	MOUNT, LOWER SCREW	2
9	0082300R/L	DISC, SCREW ADJ	1/1
10	2103000	SCREW SHAFT, RIGHT SIDE	1
100	0500600	BEARING	2
101	0100400	SET COLLAR, 5/8"	2
102	0300101	IDLER SPROCKET	3



Bliss Box Former

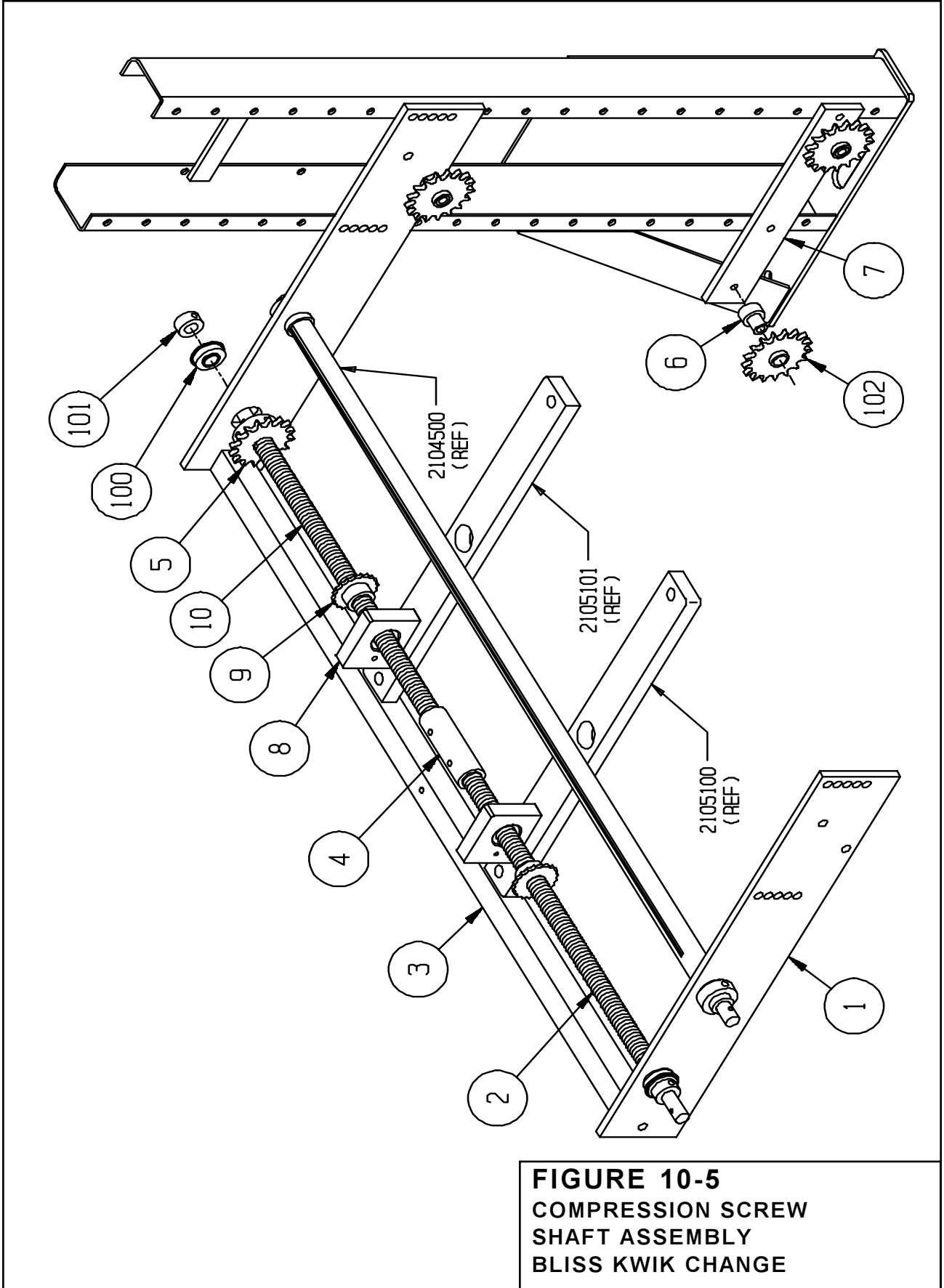


FIGURE 10-5
COMPRESSION SCREW
SHAFT ASSEMBLY
BLISS KWIK CHANGE

Option Parts & Illustrations

Bliss Box Former



FIGURE 10-6
BLANK FEED ROLLER ASSEMBLY
BLISS KWIK CHANGE

ITEM	PART NO.	DESCRIPTION	QTY.
1	0045400	SPROCKET, VACUUM FEED DRIVE	1
2	2104300	PLATE, FEED ROLLER MOUNT	2
3	0082100	HANDLE ASSEMBLY	1
4	2102500	MOUNT, CRANK ASSEMBLY	1
5	0084200	SPROCKET, COMP & TREE DRIVE	1
6	0015207	SHAFT, BLANK FEED ROLLER	1
7	0018002	WHEEL, BLANK FEED	1
8	0018401	AXLE, IDLE ROLLER	1
9	0018100	ROLLER, FEED IDLER	1
10	0086000	MOUNT, IDLE ROLLER	2
11	0013607	HOPPER SUPPORT BRACKET	1
12	0208901	BUSHING	2
13	0048400	MATT DEFLECTOR ROD	1
14	0048500	MATT TOP DEFLECTOR	1
15	0020504	BAR, BLANK FEED IDLE ROLLER	1
16	2104400	AXLE, IDLER SPROCKET	1
100	0100400	SET COLLAR, 5/8"	1
101	0208600	BUSHING, BRASS	2
102	0500600	BEARING	2
103	0300101	IDLER SPROCKET	1
104	0205000	BUSHING	1
105	0501201	1 3/16 FLANGE BEARING	2

Bliss Box Former



FIGURE 10-7
COMPRESSION ASSEMBLY
BLISS KWIK CHANGE

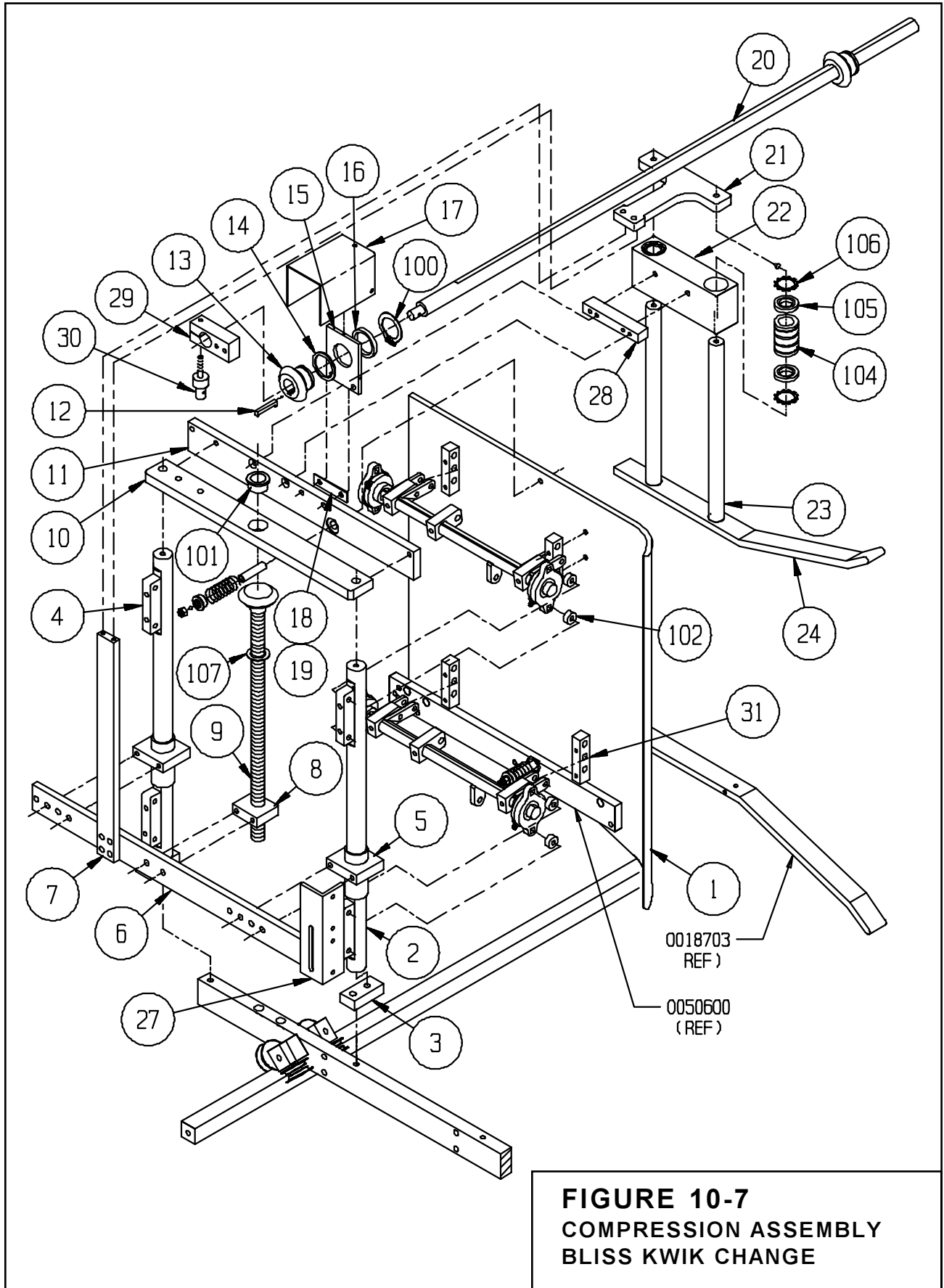
ITEM	PART NO.	DESCRIPTION	QTY.
1	2106200R/L	PLATE, COMPRESSION	1/1
2	2105200	SHAFT, COMPRESSION	4
3	0023901	BLOCK, LOWER COMP MOUNT	4
4	2104800	BLOCK, COMPRESSION	8
5	2105300	GUIDE, TUBE ASSY	4
6	2105000	PLATE, SHOE ADJ	2
7	2105900	BAR, VERTICLE SHOE ADJ	2
8	2104900	BLOCK, SCREW ADJ	2
9	0085400	SCREW SHAFT, COMP ADJ	2
10	2105101	BAR, TOP LEFT COMP PLATE	1
11	2106100	BAR, UPPER LEFT MOINT	1
12	2106500	KEY FOLLOWER	2
13	2106400	BEVEL GEAR, COMPRESSION	2
14	2107900	RETAINER, GEAR	2
15	2104700	MOUNT, BEVEL GEAR	2
16	2107800	RING SPACER	2
17	2104600	GUARD, BEVEL GEARS	2
18	2105500	SPACER, LEFT GEAR	1
*19	2105600	SPACER, RIGHT GEAR	1
20	2104500	SHAFT, TOP COMP ADJ	1
21	2105700R/L	PLATE, TOP SHOE ADJ	1/1
22	2111900	BLOCK, GUIDE	2
23	0047400	SHAFT, VACUUM FEED SLIDE	4
24	2105800	SHOE, UPPER BOX FORMING	2
*25	2105100	BAR, TOP RIGHT COMP PLATE	
*26	2106101	BAR, UPPER RIGHT MOUNT	1
27	2109500R/L	ANGLE, BOX END GUIDE	1/1
28	2112000	MOUNT, LINEAR BEARING	2
29	2112100	LOCK, SHAFT	1
30	2112200	LOCK, BOLT	1
31	0019902	LINK, BOX CLAMP	8
100	1807500	CLIP RING	2
101	0207700	BUSHING, BRASS	2
102	0203800	SPACER	16
104	0047100	BEARING, LINEAR SLIDE	4
105	0047300	SEAL, LINEAR BEARING	8
106	0047200	RETAINER, LINEAR BEARING	8
107	0087600	WASHER, THRUST	2

* Not Shown

Option Parts & Illustrations



Bliss Box Former



Option Parts & Illustrations

Bliss Box Former



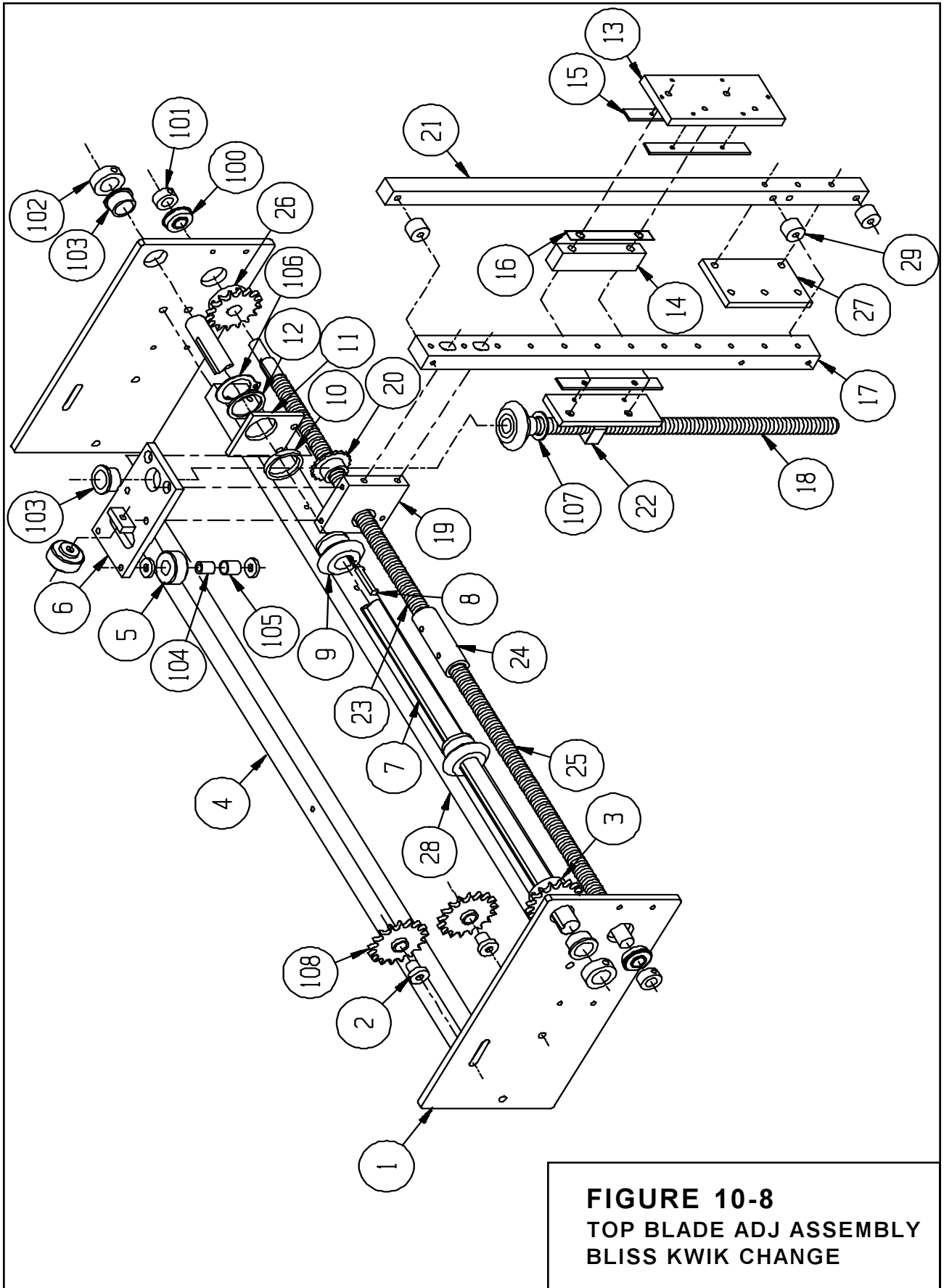
FIGURE 10-8
TOP BLADE ADJ ASSEMBLY
BLISS KWIK CHANGE

ITEM	PART NO.	DESCRIPTION	QTY.
1	2106600	PLATE, UPPER ADJUSTMENT	2
2	2106800	AXLE, LH & BTM SPROCKET	2
3	0089200	SPROCKET, 41B16	1
4	2107600	BAR, TOP ADJUSTMENT	1
5	2103900	ROLLER, TRACK	6
6	2107400	BRACKET, TOP ADJUSTING	2
7	2107500	SHAFT, TOP ADJUSTING	1
8	2106500	KEY FOLLOWER	2
9	2106400	BEVEL GEAR, 12B30	2
10	2107800	RING SPACER	2
11	2107700	PLATE, SUPPORT	2
12	2107900	RETAINER, GEAR	2
13	2106900	PLATE, GUIDE	2
14	2107000	BLOCK, UPPER GUIDE	2
15	0086100	WEAR STRIP	6
16	0089700	SHIM	2
17	2107200	BAR, HOPPER GUIDE	2
18	0085400	SCREW, TOP COMP ADJ	2
19	2106700	BLOCK, UPPER SCREW	2
20	0082300R/L	DISC, SCREW ADJ	1/1
21	2107100	BAR, VERTICLE GUIDE	2
22	0089600R/L	BLOCK, MATT HOPPER ADJ	1/1
23	2103000	SCREW SHAFT, RIGHT SIDE	1
24	0087000	COUPLING, SCREW ADJ	1
25	2103700	SCREW SHAFT, LEFT SIDE	1
26	0087100	SPROCKET, 41B16	1
27	2107300	PLATE, UPPER SPLICE GUIDE	2
28	0020504	BAR, BLANK FEED IDLE ROLLER	1
29	0088300	SPACER, MATT GUIDE BAR MTG	6
100	0500600	BEARING	2
101	0100400	SET COLLAR, 5/8"	2
102	0100700	SET COLLAR, 1"	2
103	0207700	BUSHING, BRASS	4
104	0206400	BUSHING	6
105	0202200	BUSHING, BRASS	6
106	1807500	CLIP RING	2
107	0087600	WASHER, THRUST	2
108	0300101	IDLER SPROCKET	2

Option Parts & Illustrations



Bliss Box Former



Option Parts & Illustrations

Bliss Box Former



FIGURE 10-9
SIDE HOPPER ASSEMBLY
BLISS KWIK CHANGE

ITEM	PART NO.	DESCRIPTION	QTY.
1	0013102R/L	RAIL, INSIDE END HOPPER	1/1
2	0013302R/L	RAIL, OUTSIDE END HOPPER	1/1
3	2108000R/L	ANGLE, FRONT ROLLER GUIDE	1/1
4	2108300	UPRIGHT, FRONT HOPPER SUP	4
5	2108700R/L	TRACK, HOPPER	2/2
6	2108900	WHEEL, HOPPER	4
7	2108200	UPRIGHT, REAR HOPPER SUP	4
8	2108400	BAR, HOPPER SUPPORT	4
9	2108600	BLOCK, ADJUSTING	8
10	2108500	BAR, HOPPER CLAMP	4
11	0029600	MOUNT, END HOPPER SUPPORT	2
12	2109000	SHAFT, HOPPER SUPPORT	2
13	0035600	CONNECTING ROD END	2
14	2108100R/L	ANGLE, REAR ROLLER GUIDE	1/1
15	2108800	BAR, HOPPER SUPPORT	2
16	0209700	BUSHING	2
17	1809600	KNOB, HOPPER	4
18	2108901	SPACER, HOPPER	4
19	1501500	WASHER	8
20	0208400	BUSHING, BRASS	4
21	0202700	BUSHING	4



Bliss Box Former

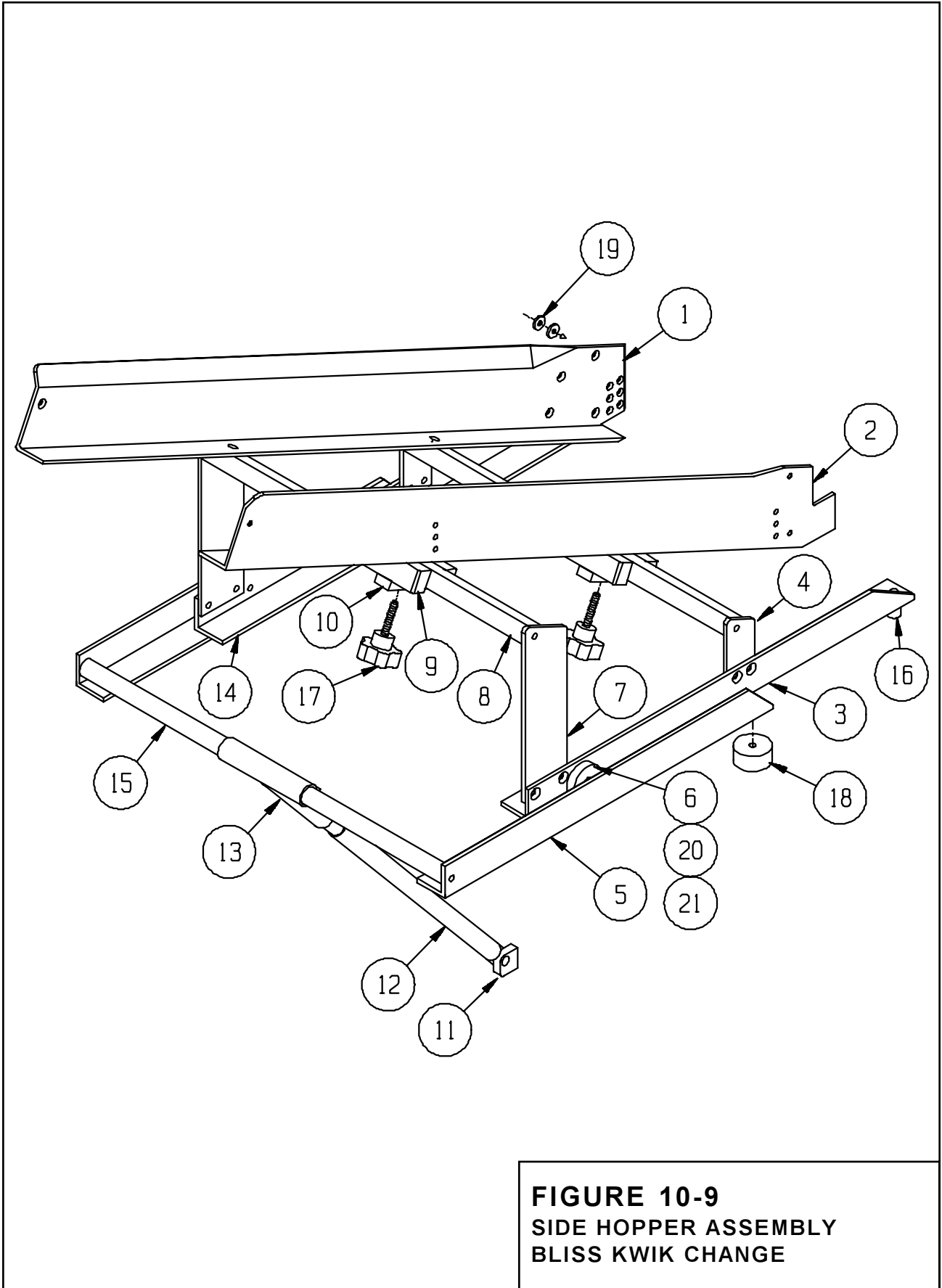


FIGURE 10-9
SIDE HOPPER ASSEMBLY
BLISS KWIK CHANGE

Option Parts & Illustrations

Bliss Box Former



FIGURE 10-10
WEIGHT SYSTEM ASSEMBLY
BLISS KWIK CHANGE

ITEM	PART NO.	DESCRIPTION	QTY.
1	0026700	BRACKET, BOX END WEIGHT	2
2	0026601	RAIL, BOX END WEIGHT	2
3	0037802	END PANEL	2
4	0037801	MOUNT, BLOCK	2
5	0075400R/L	GUIDE	1/1
6	0057600	ADJUSTING CLAMP	2
7	0057500	GUIDE, MOUNT BRACKET	2
8	0057700	GUIDE, MOUNT	2
9	0013202R/L	MOUNT BRACKET, END HOPPER	1/1
10	0057800R/L	RETAINER, BOX END	1/1
11	0026501	END HOPPER WEIGHT	2
12	0037800R/L	FINGER, BOX END PUSHER	1/1
100	0207200	BUSHING, BRONZE	2
101	0047101	BEARING	4
102	0047201	RETAINER	4
103	0201700	1 1/4 DIA. BUSHING	2
104	1500100	1" DIA. WASHER	2
105	1202400	SPRING	2
106	8012000	7/16-14 HEX HD BOLT X 1 3/4	2
107	8008200	5/16-18 HEX HD CAP SCR X 3/4	2
108	8002600	1/4-20 FLAT SCKT HD SCR X 1/2	2
109	8002700	1/4-20 FLAT SCKT HD SCR X 3/4	4
110	8002900	1/4-20 FLAT SCKT HD SCR X 1 1/4	4
111	8002800	1/4-20 FLAT SCKT HD SCR X 1	4
112	8004100	#10-32 FLAT SCKT HD SCR X 3/4	4
113	8036000	7/16 SAE FLAT WASHER	2
114	8036700	5/16 LOCK WASHER	4
115		5/16-18 CUP PT SET SCR X 5/16	2
116	8036600	1/4 LOCK WASHER	8
117	8024300	1/4-20 HEX NUT	8
118	8035600	#10 FLAT WAHER	4
119	8025300	#10-32 FIBER LOCK NUT	4
120	8031400	1/4-20 SCKT HD SCR X 3/4	4
121	8024600	7/16-14 HEX NUT	2
122		5/8 SAE FLAT WASHER	4
123	8028100	5/16-18 FLAT PT SET SCR X 5/16	2

Option Parts & Illustrations

Bliss Box Former



Option Parts & Illustrations

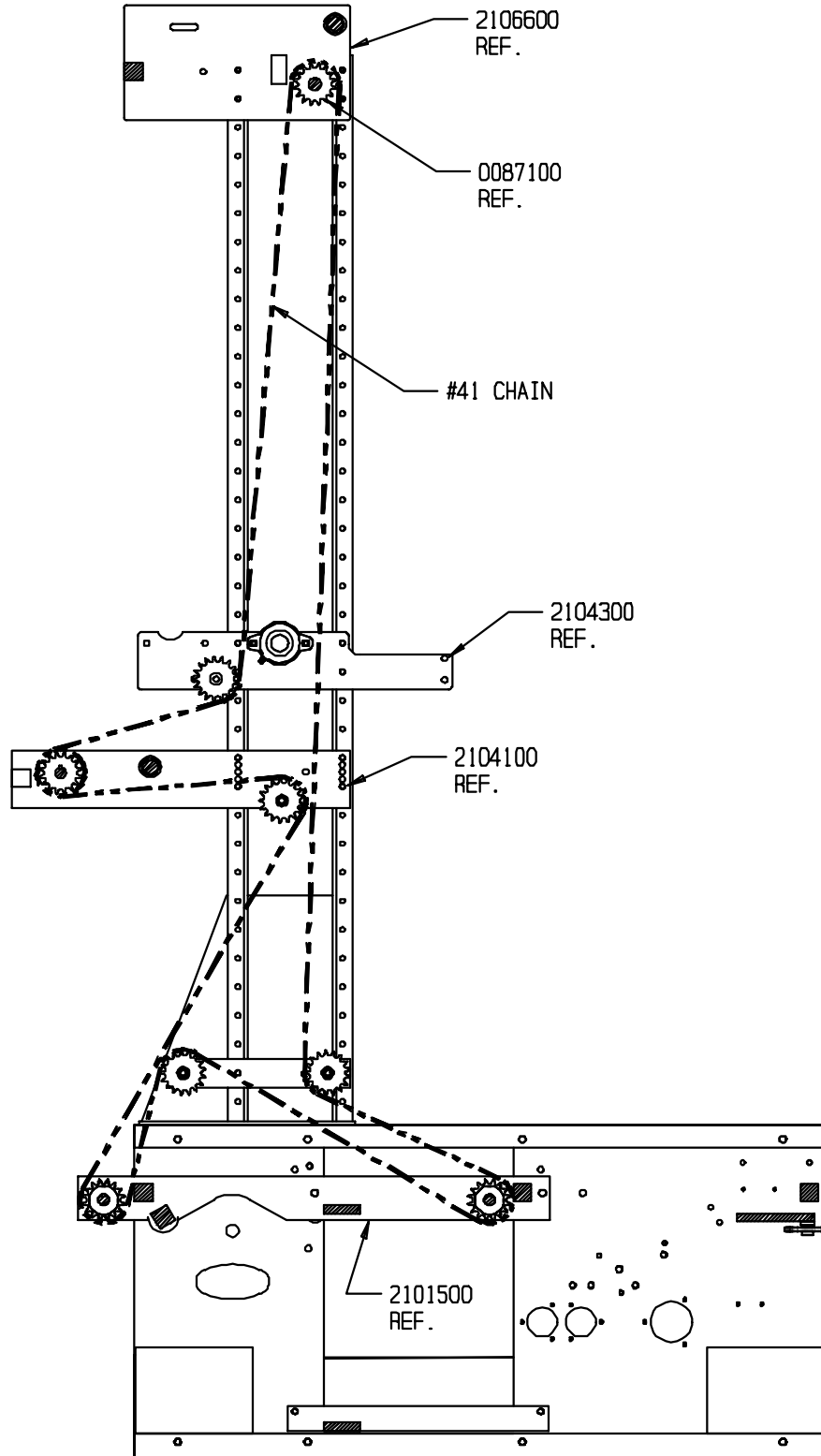
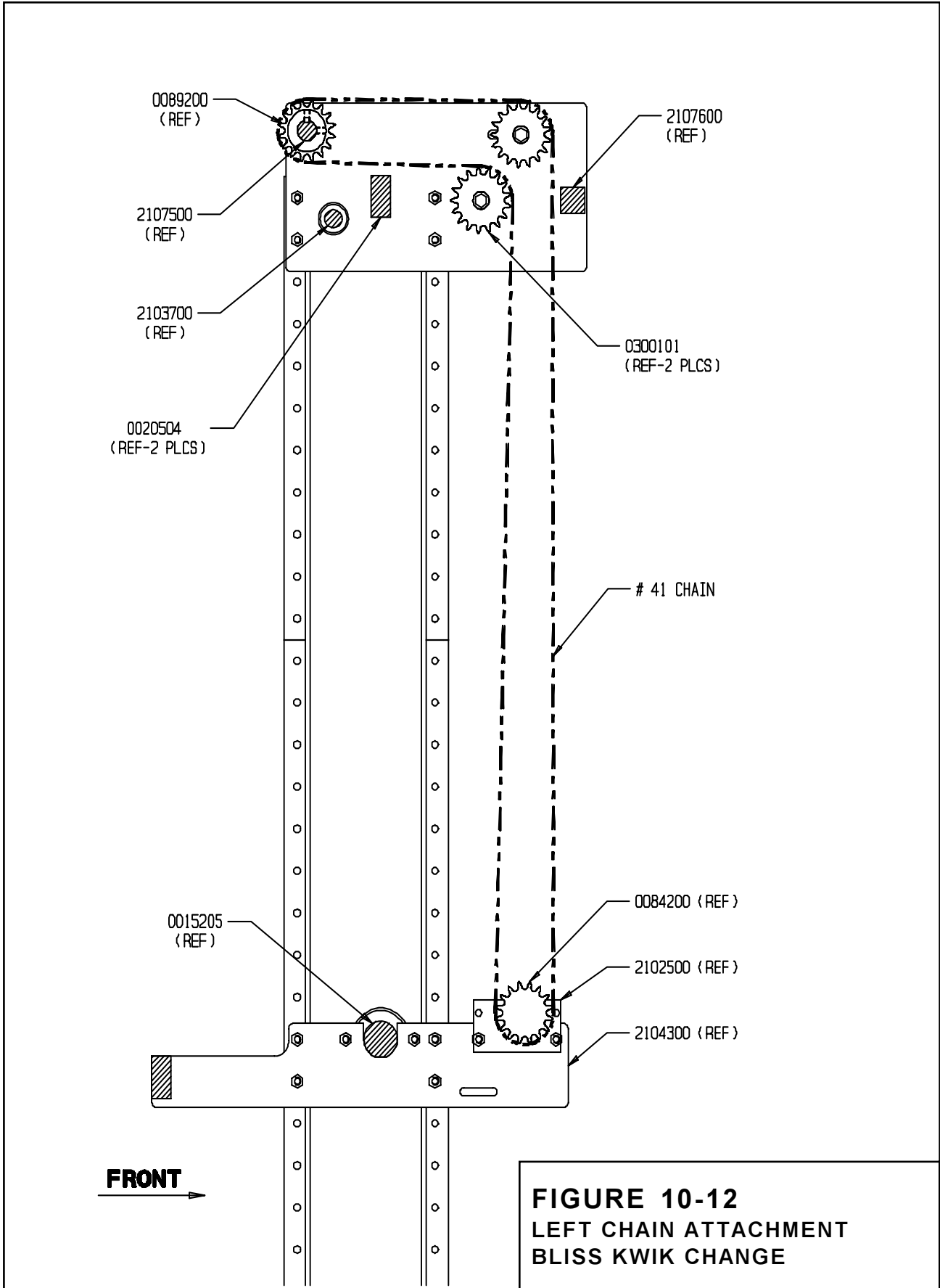


FIGURE 10-11
RIGHT CHAIN ATTACHMENT
BLISS KWIK CHANGE



Bliss Box Former



Option Parts & Illustrations



THIS PAGE IS BLANK

Option Parts & Illustrations



Bliss Box Former

Option Parts & Illustrations

Bliss Box Former



FIGURE 10
MANDREL ASSEMBLY
SPRING LOADED END PICK

ITEM	PART NO.	DESCRIPTION	QTY.
1	0075000	BAR, 3/4 DIA. SPREADER	3
2	0043403	OFFSET END PICK	4
3	0029700	CLAMP, REAR CROSSMEMBER	4
4	0202000	BUSHING	8
5	0043301	PAWL, END PICK MOUNT	4
6	1200500	SPRING	4
7	0043502	END PICK PAWL	4
8	0012002R/L	RAIL, MANDREL	2/2
9	0017202	BAR, SUPPORT	4
10	0074000	BRACE, OUTSIDE	2
11	0031300	STRIP, MANDREL WEAR	2
12	0011902	PICK, 1/4	4
13	0011800	PLATE, MANDREL CON	4
14	0206300	BUSHING	4
15	0075100	SHAFT, PIVOT	1
16	0075200	BAR, 1" DIA ALUM SPREADER	2



Bliss Box Former

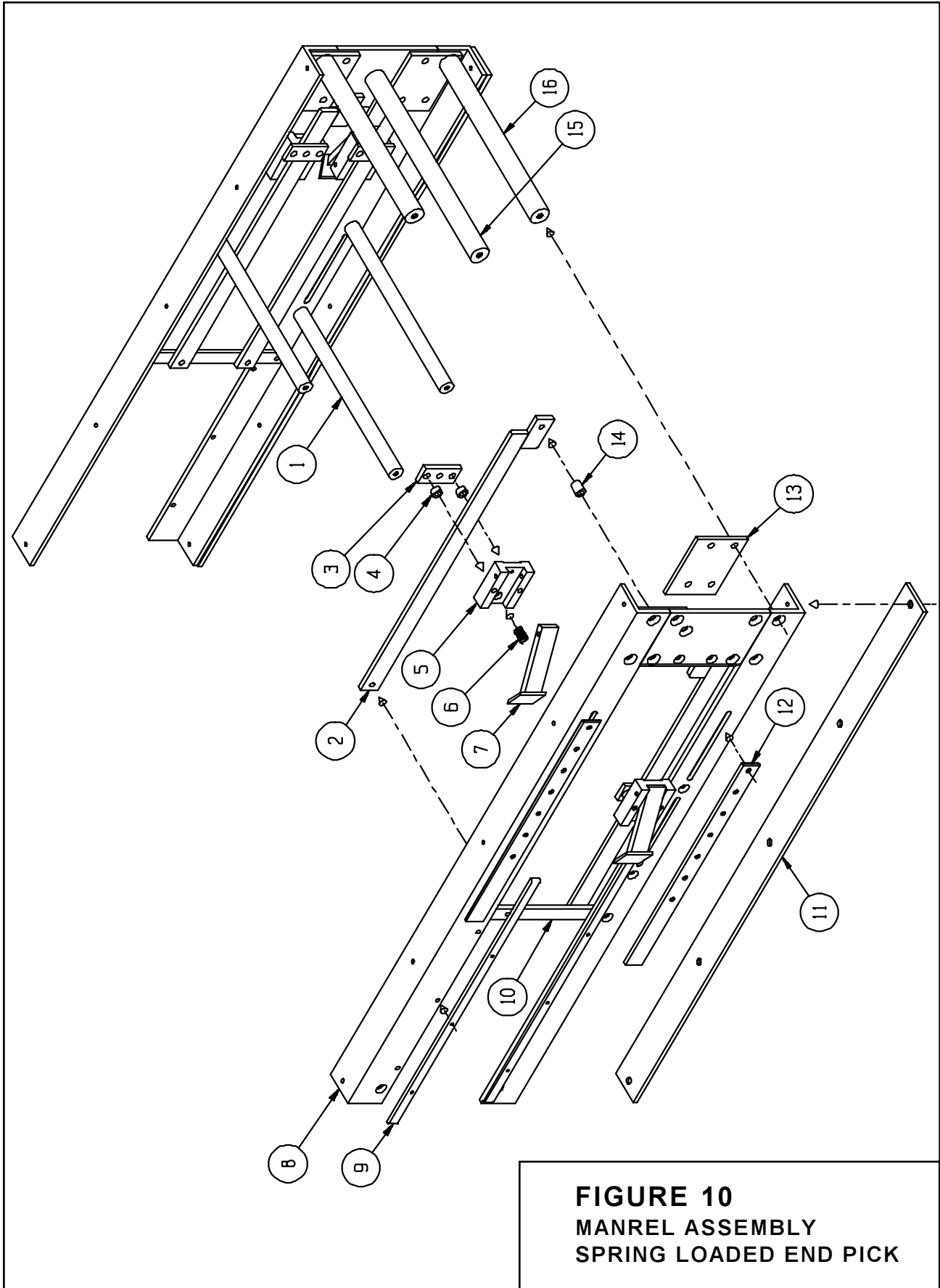


FIGURE 10
MANREL ASSEMBLY
SPRING LOADED END PICK

Option Parts & Illustrations

Bliss Box Former

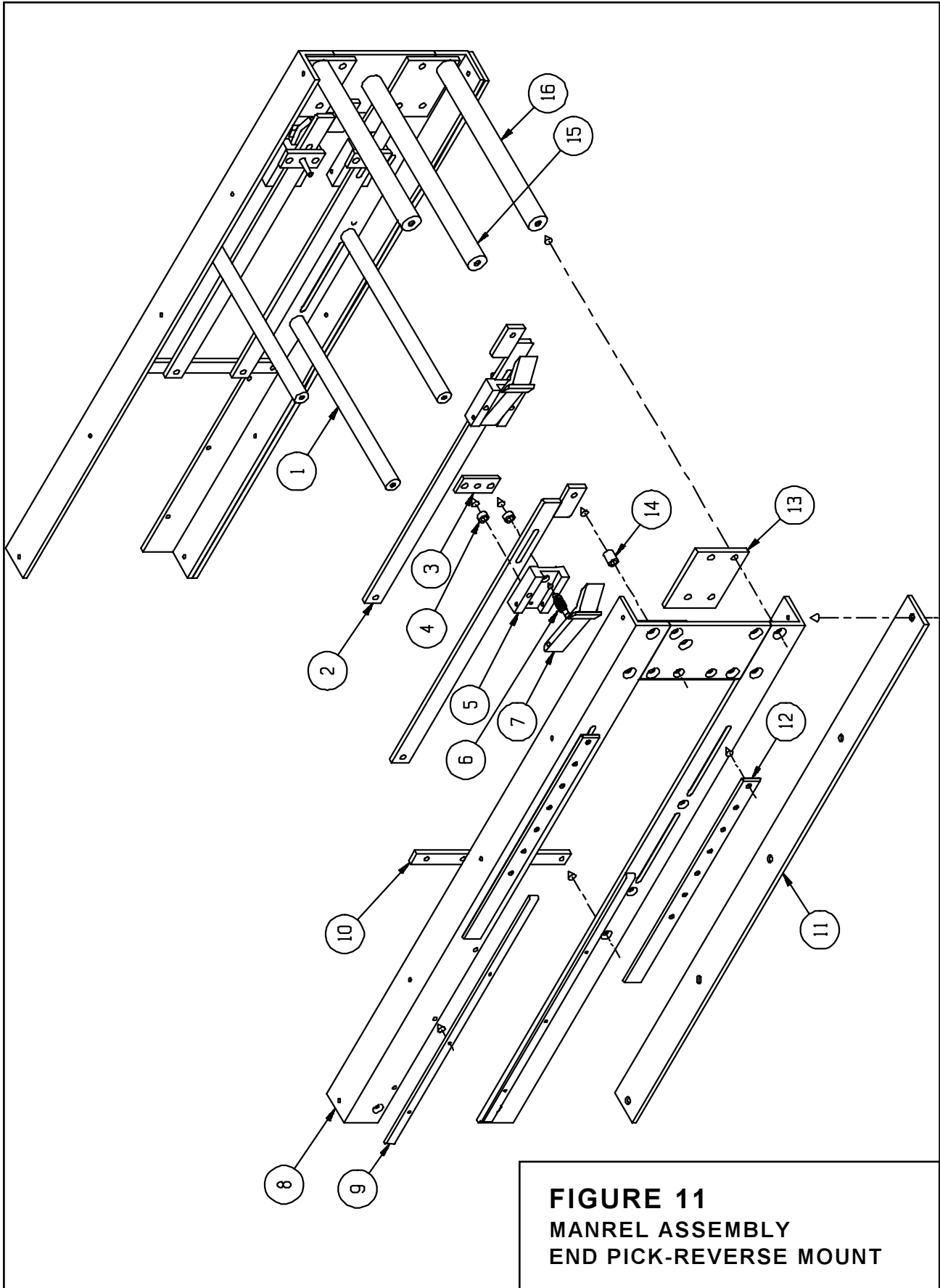


FIGURE 11
MANDREL ASSEMBLY
END PICK-REVERSE MOUNT

ITEM	PART NO.	DESCRIPTION	QTY.
1	0075000	BAR, 3/4 DIA. SPREADER	3
2	0043403	OFFSET END PICK	4
3	0029700	CLAMP, REAR CROSSMEMBER	4
4	0202000	BUSHING	8
5	0043302	PAWL, SLOTTED END PICK MT	4
6	1200500	SPRING	4
7	0043506	END PICK REVERSE MOUNT	4
8	0012002R/L	RAIL, MANDREL	2/2
9	0017202	BAR, SUPPORT	4
10	0074000	BRACE, OUTSIDE	2
11	0031300	STRIP, MANDREL WEAR	2
12	0011902	PICK, 1/4	4
13	0011800	PLATE, MANDREL CON	4
14	0206300	BUSHING	4
15	0075100	SHAFT, PIVOT	1
16	0075200	BAR, 1" DIA ALUM SPREADER	2



Bliss Box Former



Option Parts & Illustrations

Bliss Box Former



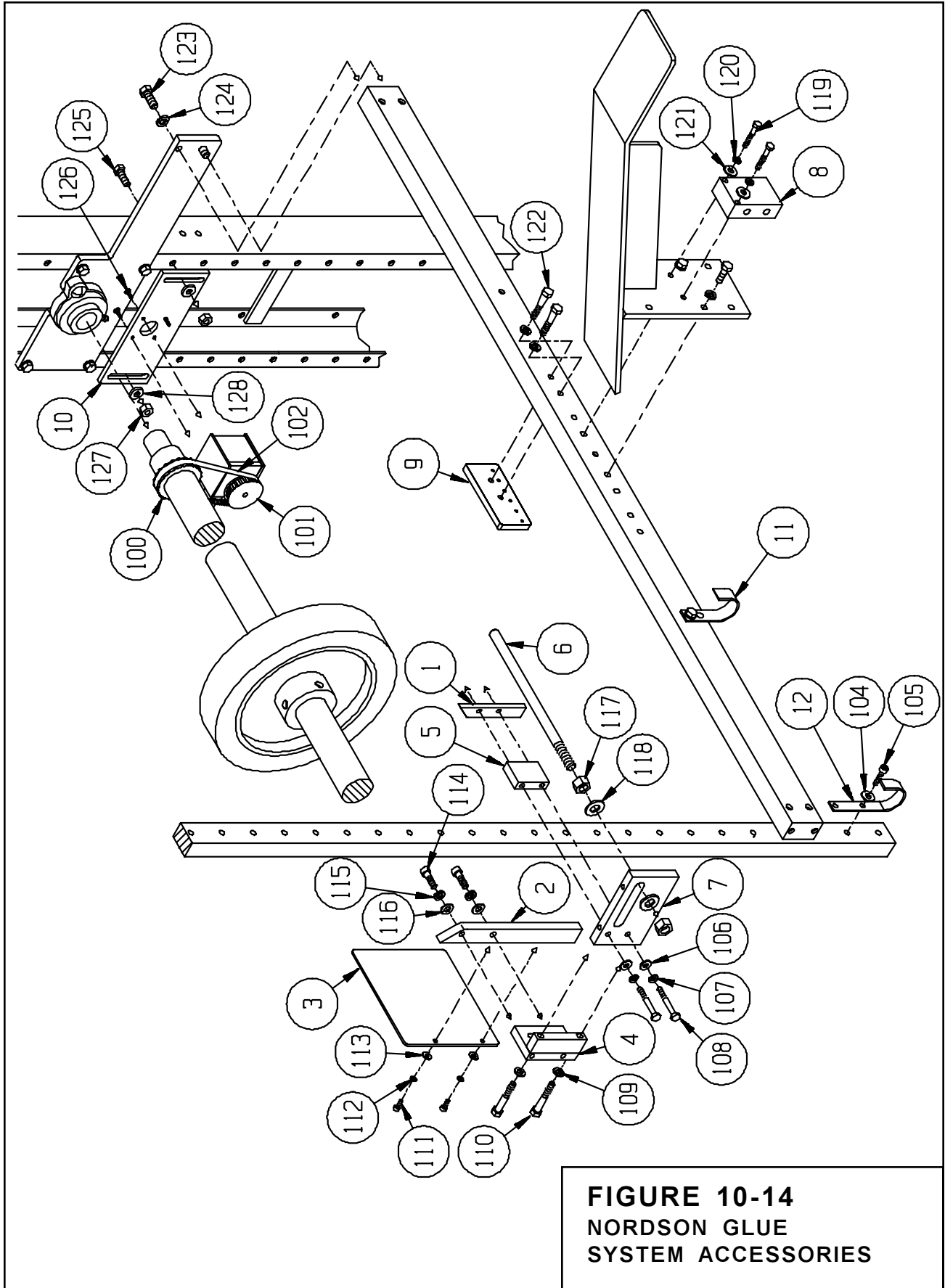
FIGURE 10-7 NORDSON GLUE SYSTEM ACCESSORIES

ITEM	PART NO.	DESCRIPTION	QTY.
1	0075800	BAR, SMALL DEFLECTOR	2
2	0076000	BAR, LARGE DEFLECTOR	2
3	0075600	PLATE, SHEILD	2
4	0019701R/L	MOUNT, MELT POT	1/1
5	0075700	BLOCK, SPACER	2
6	0075900	SHAFT, ADHESIVE HEAD ADJ.	2
7	0075500	BLOCK, MOUNTING	2
8	0051700	BLOCK, 4 PORT MANIFOLD	1
9	0052601	MOUNT, PHOTO EYE PLATE	1
10	0077600	PLATE, DECODER MOUNT	1
11	0076500	HANGER, GLUE HOSE (BAR MT.)	2
12	0076501	HANGER, GLUE HOSE (TREE MT.)	2
100	0052000	DRIVER PULLEY (SB)	1
	0052001	DRIVER PULLEY (WB)	1
101	0052100	PULLEY, ENCODER	1
102	0051900	NORDSON BELT	1
104	8035800	5/16 SAE FLT WASHER	2
105	8032600	5/16-18 SCKT HD SCR X 3/4	2
106	8035700	1/4 SAE FLT WASHER	4
107	8036600	1/4 STD LOCK WASHER	4
108	8007200	1/4-20 HEX HD CAP SCR X 2 1/2	4
109	8036700	5/16 STD LOCK WASHER	4
110	8035700	1/4 SAE FLT WASHER	4
111	8030400	#10-32 SCKT HD CAP SCR X 1/2	4
112	8036500	#10 STD LOCK WASHER	4
113	8035600	#10 SAE FLT WASHER	4
114	8032700	5/16-18 SCKT HD CAP SCR X 1	4
115	8036700	5/16 STD LOCK WASHER	10
116	8035800	5/16 SAE FLT WASHER	2
117	8024700	1/2-13 HEX HD NUT	4
118	8036100	1/2 SAE FLT WASHER	4
119	8007300	1/4-20 HEX HD CAP SCR X 1 3/4	2
120	8036600	1/4 STD LOCK WASHER	2
121	8035700	1/4 SAE FLT WASHER	2
122	8008300	5/16-18 HEX HD CAP SCR X 1	2
123	8010000	3/8-16 HEX HD CAP SCR X 1	4
124	8036800	3/8 STD LOCK WASHER	4
125	8008300	5/16-18 HEX HD CAP SCR X 1	10
126	8015500	#6-32 RD HD SLOT SCR X 1/2	4
127	8024400	5/16-18 STD HEX NUT	2
128	1501100	WASHER	2

Option Parts & Illustrations



Bliss Box Former



Option Parts & Illustrations

Bliss Box Former



FIGURE 10-15 NORDSON GLUE HEAD & ACCESSORIES

ITEM	PART NO.	DESCRIPTION	QTY.
1	1811300	FILTER, IN LINE 90°	2
2	1813200	1 1/4 PIPE NIPPLE	2
3	1813000	1/8" 90° ELBOW	4
4	1813100	2" PIPE NIPPLE	2
5	1813300	3/4" PIPE NIPPLE	2
6	1810800	VALVE, SOLENOID	2
7	1808900	ELBOW (1/8 NPT)	2
8	1803900	ELBOW (1/4 NPT)	2
9	1804000	ELBOW (1/4 NPT)	1
10	0052601	MOUNT, PHOTO EYE PLATE	1
11	0075900	SHAFT, ADHESIVE HEAD ADJ	REF
12		GLUE HEAD	REF
13	0019701	MOUNT, GLUE POT	REF
14	0075500	PLATE, SHAFT MOUNT	REF
15	0051700	BLOCK, 4 PORT MANIFOLD	1
16	0013608	HOPPER SUPPORT BRKT	REF
*	1811100	HOSE 2300 AUT, 230V, 10FT	1
*	1811200	HOSE 2300 AUT, 230V, 12FT	1
*	1811400	CONN, ASSY., 90°	2
*	1810200	NOZZLE, BOTTON .016 DIA.	4
*	2004000	NORDSON MTG HARDWARE	1

* Not Shown



Bliss Box Former

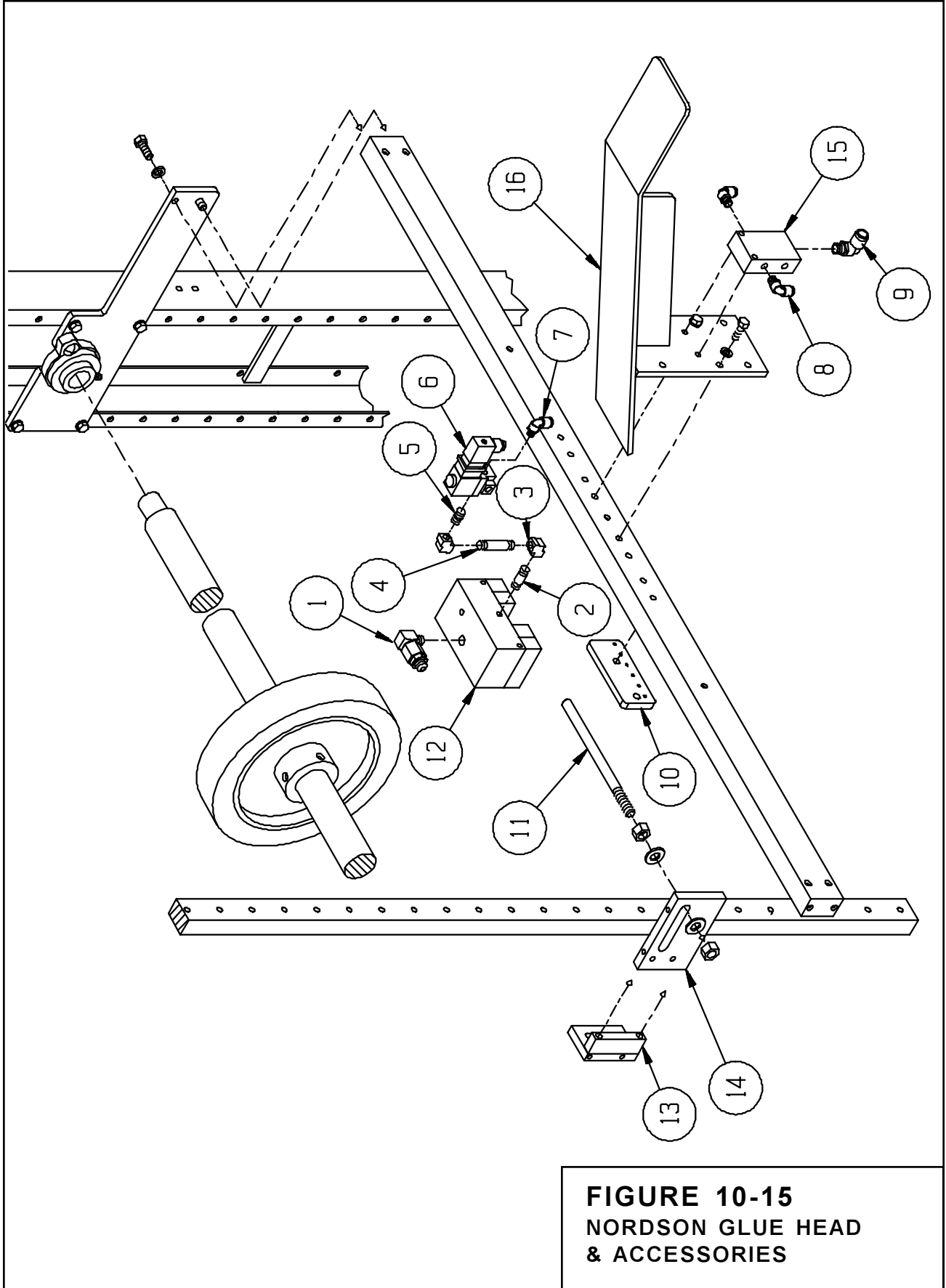


FIGURE 10-15
NORDSON GLUE HEAD
& ACCESSORIES

Option Parts & Illustrations

Bliss Box Former



FIGURE 10-16
NORDSON BASIC
CART/PANELS

ITEM	PART NO.	DESCRIPTION	QTY.
1	0097900	GLUE CART	1
2	1809300	CASTER	4
3	0080200	MOUNT-CONTROLLER	1
4	1808500	ENCLOSURE-ELECT. BOX	1
5	0206800	BUSHING	2
7	0057100	PRESS. GAGE (0-160)	1
8	0204100	BUSHING	1
101	8036700	5/16 SPLIT LOCK WASHER	16
102	8008200	5/16-18 HEX HD CAP SCR X 3/4	16
108	1813700	3/4 CONNECTOR STRAIGHT	4
109	8006800	1/4-20 HEX HD CAP SCR X 1/2	4
110	8036600	1/4 SPLIT LOCK WASHER	4
111	1515000	WASHER	4
113	1804000	BRASS FITTING 90DEG	1
114	1805701	1/4 NPT CLOSE	1
115	1804100	BRASS FITTING - STRAIGHT	1
116	1808700	1/4 TEE, GALV.	1
117	8035400	#12 PAN HD SCR X 3/8	2
118	0037300	3/8 POLY FLOW TUBING	A/N
119	8009100	5/16-18 X 3.0 HEX HD SCREW	4
120	8025600	5/16 NC FIBER LOCK NUT	4
121	8035800	5/16 FLAT WASHER	4
122	TBLTC075	FLEX CONN. 6"	1
123	TBLTC075	FLEX CONN. 7 1/4"	1
124	8017600	#10-32 X 2 1/4 MACHINE SCREW	2
125	8017000	#10-32 X 3/4 MACHINE SCREW	2
126	8035600	#10 FLAT WASHER	4
127	8025300	#10-32 NC FIBER LOCK NUT	4



Bliss Box Former

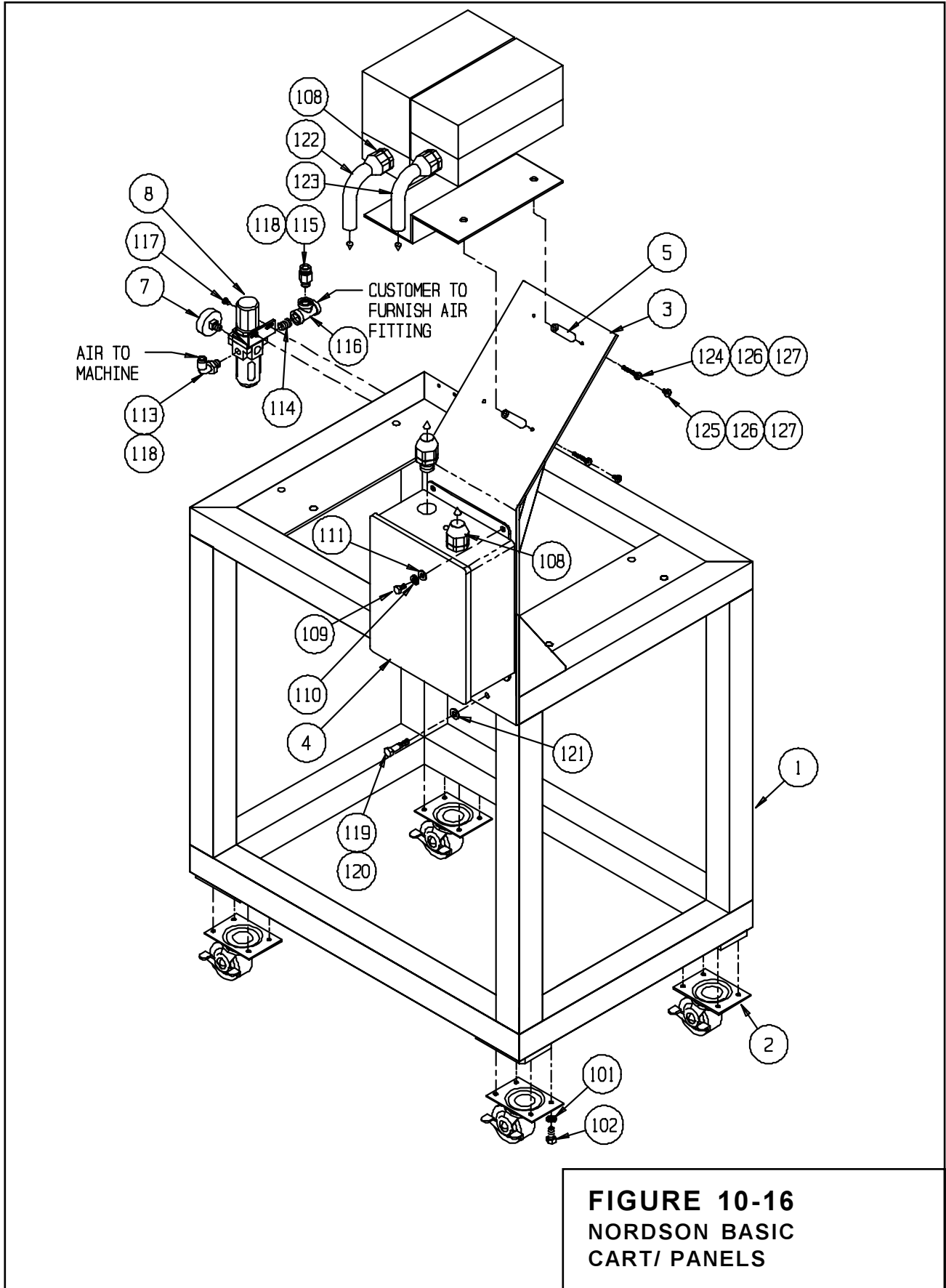


FIGURE 10-16
NORDSON BASIC
CART/ PANELS

Bliss Box Former

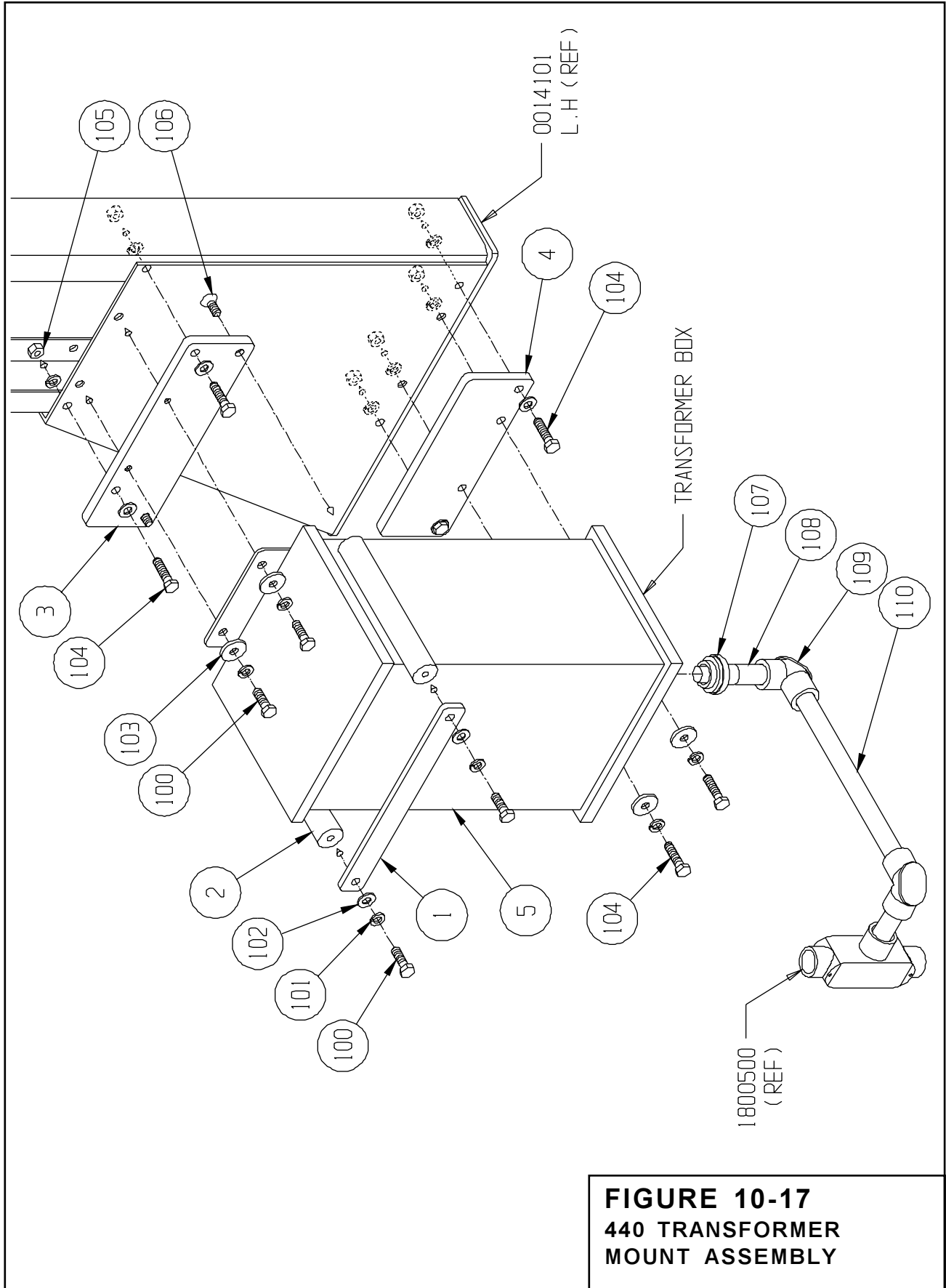


FIGURE 10-17
440 TRANSFORMER
MOUNT ASSEMBLY

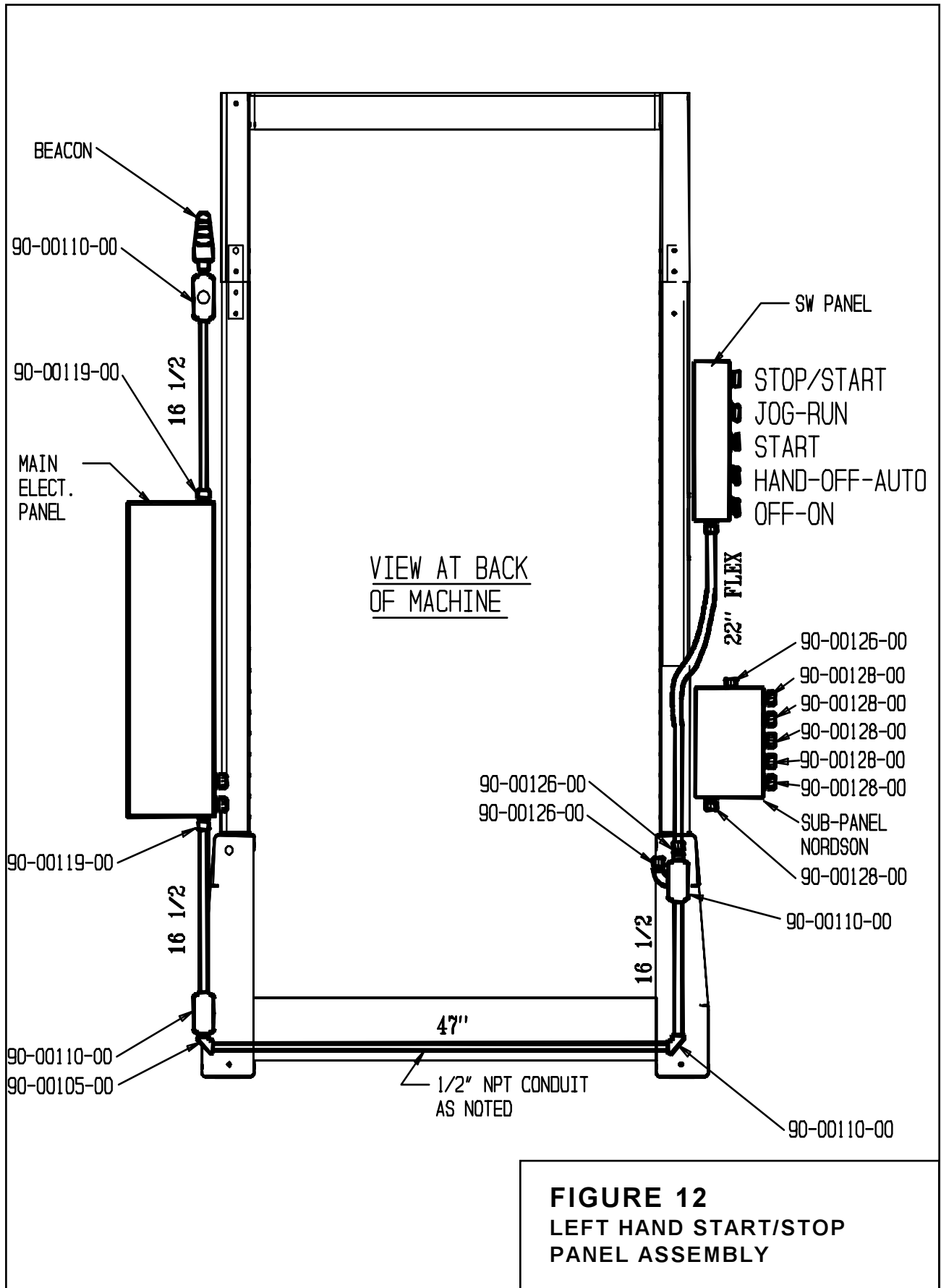
ITEM	PART NO.	DESCRIPTION	QTY.
1	0055800	BRACKET-TRANSFORMER UPPER	1
2	0055900	MOUNT-TRANSFORMER SIDE	2
3	0055600	MOUNT-UPPER TRANSFORMER	1
4	0055700	MOUNT-TRANSFORMER LOWER	1
5	1400606	TRANSFORMER	1
100	8008300	5/16-18 HEX HD CAP SCR X 1	4
101	8036700	5/16 STD LOCK WASHER	12
102	8035800	5/16 SAE FLAT WASHER	6
103	1501700	WASHER	4
104	8008400	5/16-18 HEX HD CAP SCR X 1 1/4	6
105	8024400	5/16-18 HEX NUT	6
106	8004700	5/16-18 FLAT SCKT HD SCR X 3/4	2
107	1801800	1/2" HUB T&BHIO50	1
108	1802001	1/2" PIPE NIPPLE X 2	2
109	1800400	1/2" PULLINF ELL.	2
110	1805201	9 1/2" PIPE	1



Bliss Box Former



Option Parts & Illustrations





Bliss Box Former

Option Parts & Illustrations

Bliss Box Former



Option Parts & Illustrations