



27.0 Option Parts & Illustrations

INTRODUCTION

This section lists and illustrates the replaceable assemblies and parts of the Bliss Box Former as manufactured by W. E. Plemons Machinery Services, Inc. Each parts list contains the component parts for that assembly.

27.1 Index

FIGURE / DESCRIPTION

FIGURE 27-1

BOX FORMING MANDREL
ASSEMBLY W/ KC HANDLES

FIGURE 27-2

BLANK QUICK CHANGE ASSEMBLY

FIGURE 27-3

END PANEL RETAINER
QUICK CHANGE

FIGURE 27-4

BLANK HOPPER BLADE
QUICK CHANGE

FIGURE 27-5

VACUUM SHUT OFF VALVE
QUICK CHANGE

FIGURE 27-6

END HOPPER KNOB
QUICK CHANGE

27.2 Illustrated Parts

See Next Page

Bliss Box Former

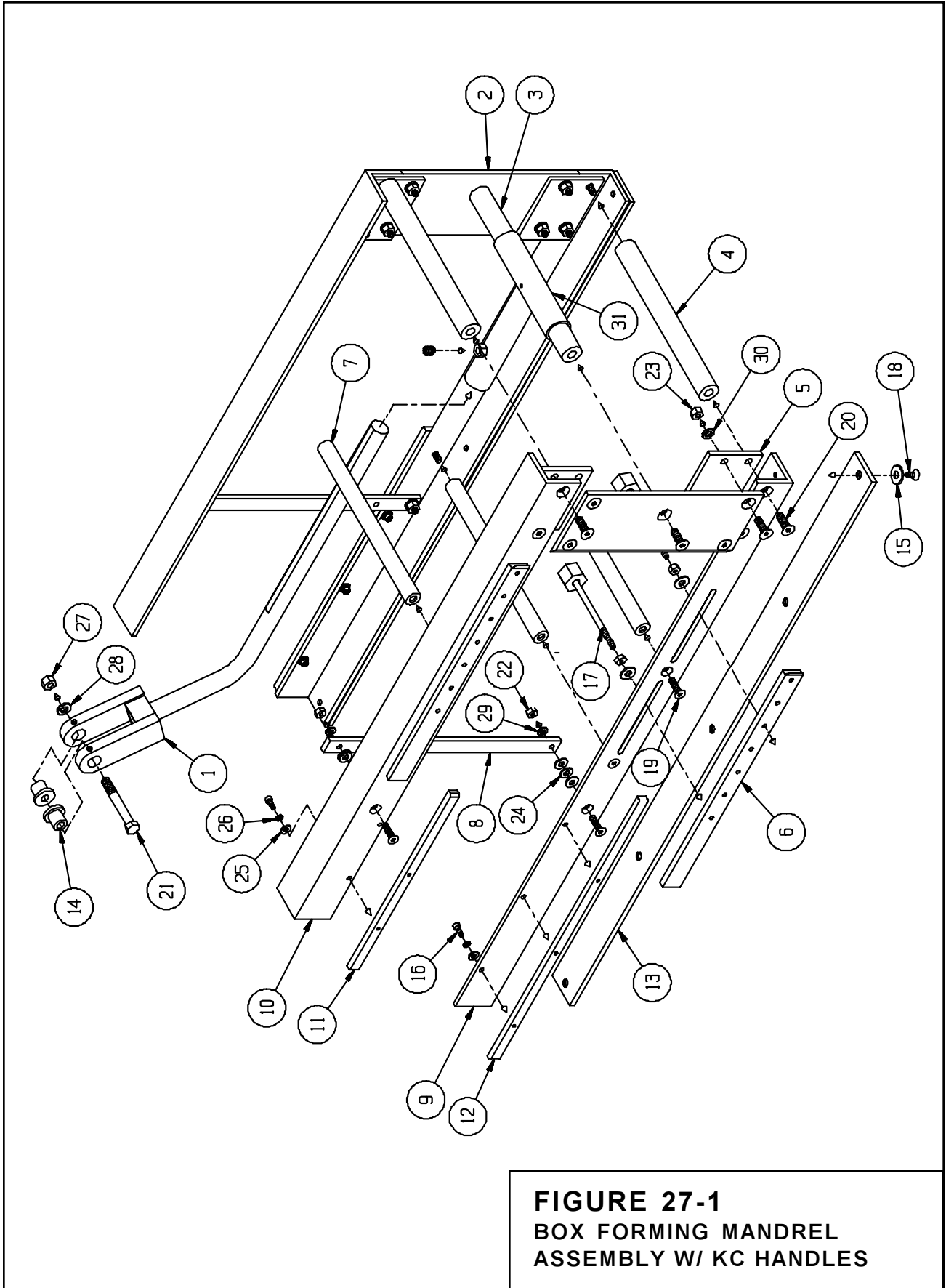


FIGURE 27-1
BOX FORMING MANDREL
ASSEMBLY W/ KC HANDLES

ITEM	PART NO.	DESCRIPTION	QTY.
1	0011701	ROD, MANDREL CONNECTING	1
2	0074800R/L	PLATE, MANDREL FRAME	1/1
3	0075100	SHAFT, MANDREL ROD PIVOT	1
4	0075200	SPREADER, MANDREL FRONT	2
5	0011800	PLATE, MANDREL FRAME CON	4
6	9094000L/R	PICK, 5/16" MODIFIED	2/2
7	0075000	SPREADER, MANDREL REAR	3
8	0074900	BRACE, MANDREL VERTICAL	2
9	0012002R/L	RAIL, MANDREL LOWER FRAME	1/1
10	0012101R/L	RAIL, MANDREL UPPER FRAME	1/1
11	0017103	BAR, 5/16"	2
12	0017203	BAR, 5/16"	2
13	0031300	STRIP, MANDREL RAIL WEAR	2
14	0205900	BUSH., MANDREL TUBE YOKE	2
15	1502100	WASHER	10
16		10-32 SKT HD CAP SCR X 1/2	10
17	0013801	HEX KNOB, 1/4 NF	8
18		1/4-20 SKT FLT HD SCR X 1/2	10
19		1/4-20 SKT FLT HD SCR X 1	10
20		5/16-18 SKT FLT HD SCR X 1	18
21		3/8-16 HEX HD CAP SCR X 3	1
22		1/4-20 HEX NUT	4
23		5/16-18 HEX NUT	12
24		1/4 SAE FLT WASHER	20
25		10-32 FLT WASHER	10
26		10-32 STD LOCK WASHER	10
27		3/8-16 HEX NUT	1
28		3/8 STD LOCK WASHER	1
29		1/4 STD LOCK WASHER	4
30		5/16 LOCK WASHER	12
31	0035600	WELDMENT, CON ROD END	1



Bliss Box Former



Option Parts & Illustrations

Bliss Box Former

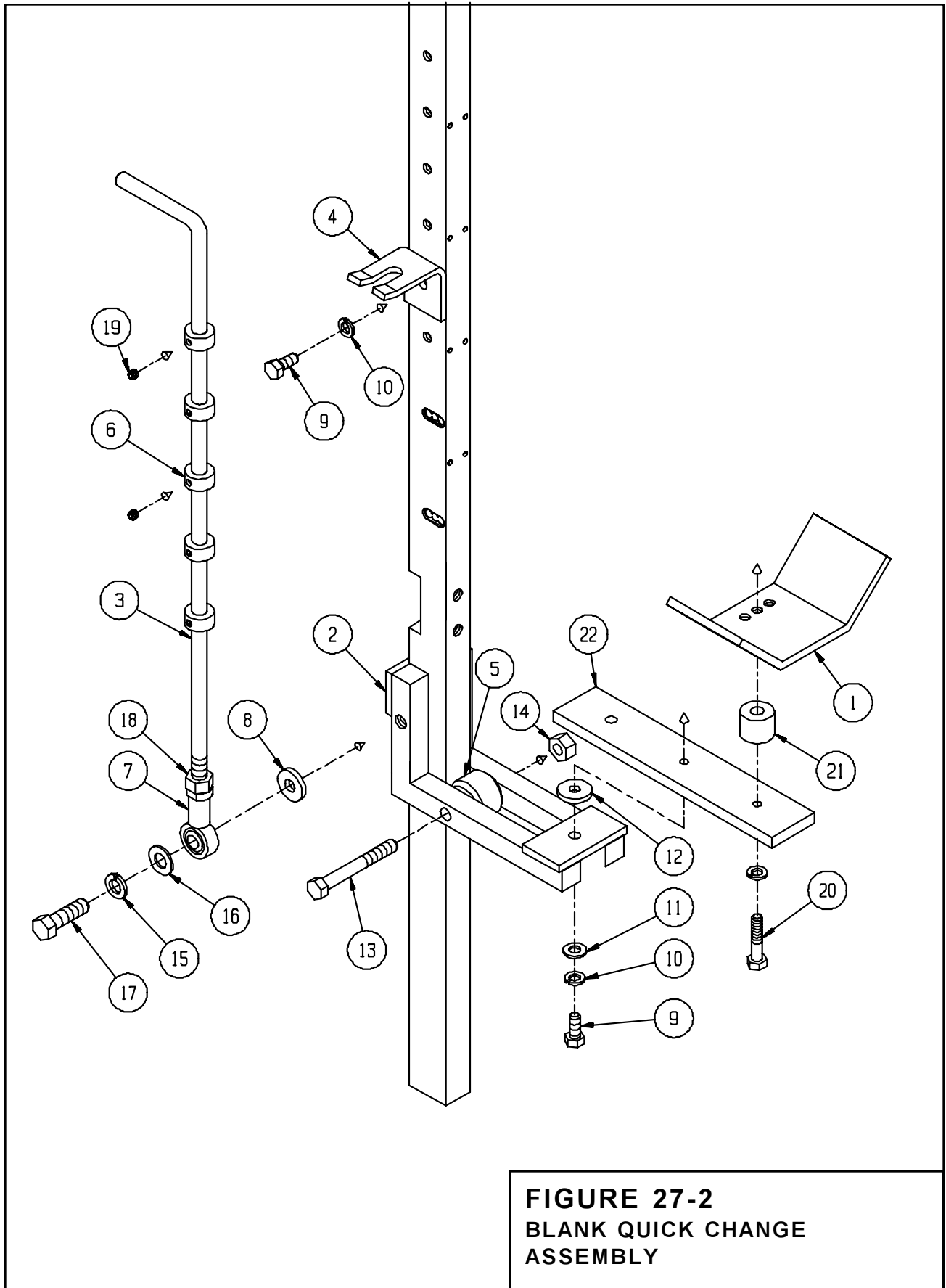


FIGURE 27-2
BLANK QUICK CHANGE ASSY

ITEM	PART NO.	DESCRIPTION	QTY.
1	0030902	STOP BLANK BOTTOM	2
2	0050100	BLANK STOP, QUICK CHANGE	2
3	0050200	ARM, QUICK CHANGE ADJUSTING	2
4	0050300	BRACKET, QUICK CHANGE	2
5	0050400	ROLLER QUICK CHANGE	2
6	0100200	SET COLLAR 7/16	10
7	0501000	ROD END 7/16	2
8	1500101	WASHER	2
9		5/16-18 NC HEX HD CAP X 1	4
10		5/16 LOCK WASHERS	6
11		5/16 FLAT WASHERS	2
12	1500102	WASHER	2
13		3/8-16 X 3 HEX HD BOLT	2
14		3/8-16 NC FIBER LOCK NUT	2
15		7/16 LOCK WASHER	2
16		7/16 FLAT WASHER	2
17		7/16 NC X 1 1/2 HEX HD BOLT	2
18		7/16NF HEX NUT	2
19		1/4 NC X 1/4 CUP PT SET SCR	10
20		5/16-18 NC HEX HD CAP X 1 1/2	2
21	0201100	BUSHING	2
22	0034000	EXTENSION, BOTTOM STOP	2



Bliss Box Former



Option Parts & Illustrations

Bliss Box Former

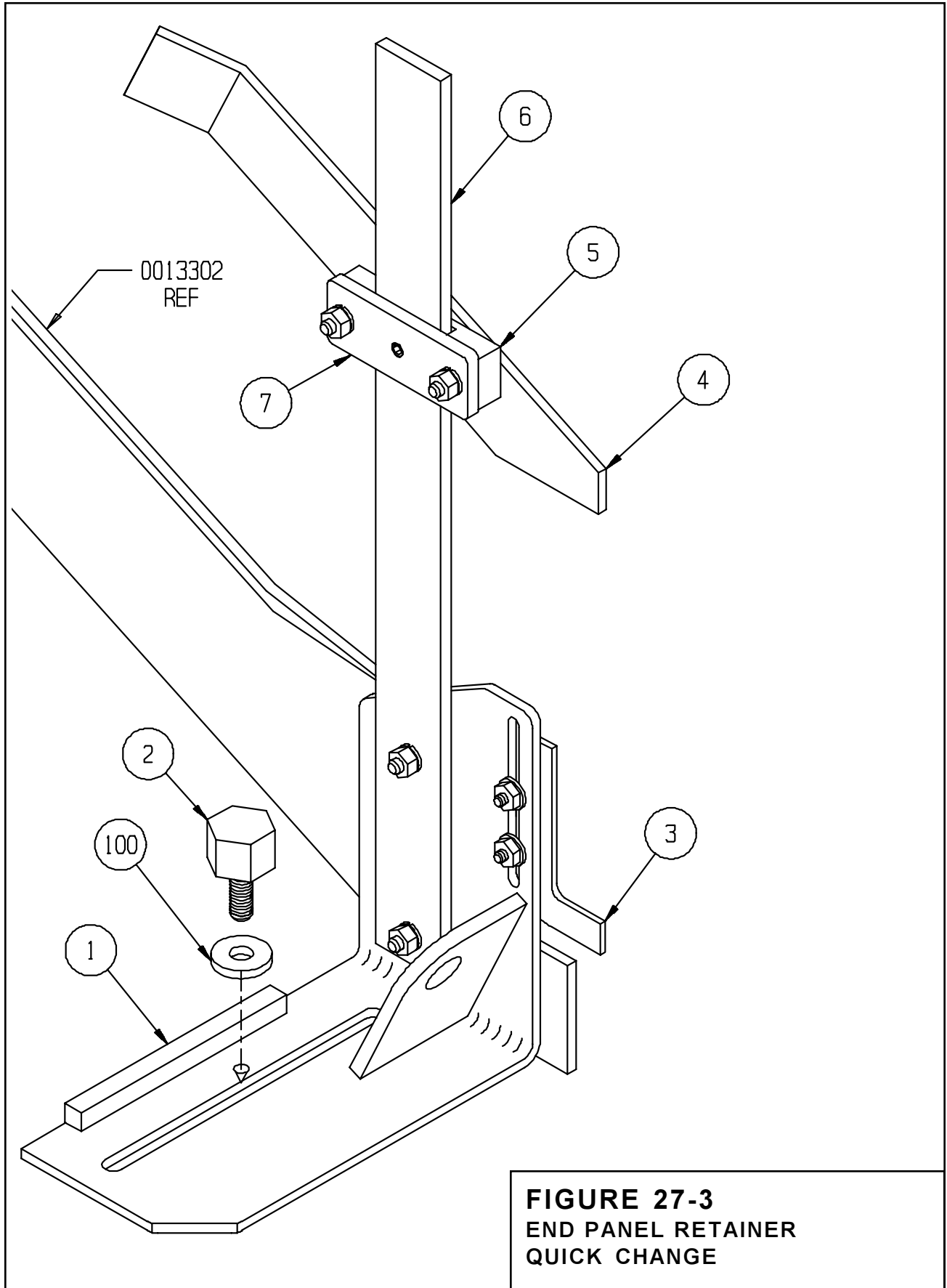


FIGURE 27-3
END PANEL RETAINER-QUICK
CHANGE

ITEM	PART NO.	DESCRIPTION	QTY.
1	0013203R/L	BRACKET, END HOPPER MOUNT	1/1
2	0013802	HEX KNOB, 3/8 NF	2
3	9093900R/L	BOX END RETAINER	1/1
4	0057400R/L	GUIDE, UPPER HOPPER	1/1
5	0057500	GUIDE, MOUNTING BRACKET	2
6	0057700	GUIDE, MOUNT	2
7	0057600	BRACKET, GUIDE ADJ	2
100	1500101	WASHER	2



Bliss Box Former



Option Parts & Illustrations

Bliss Box Former

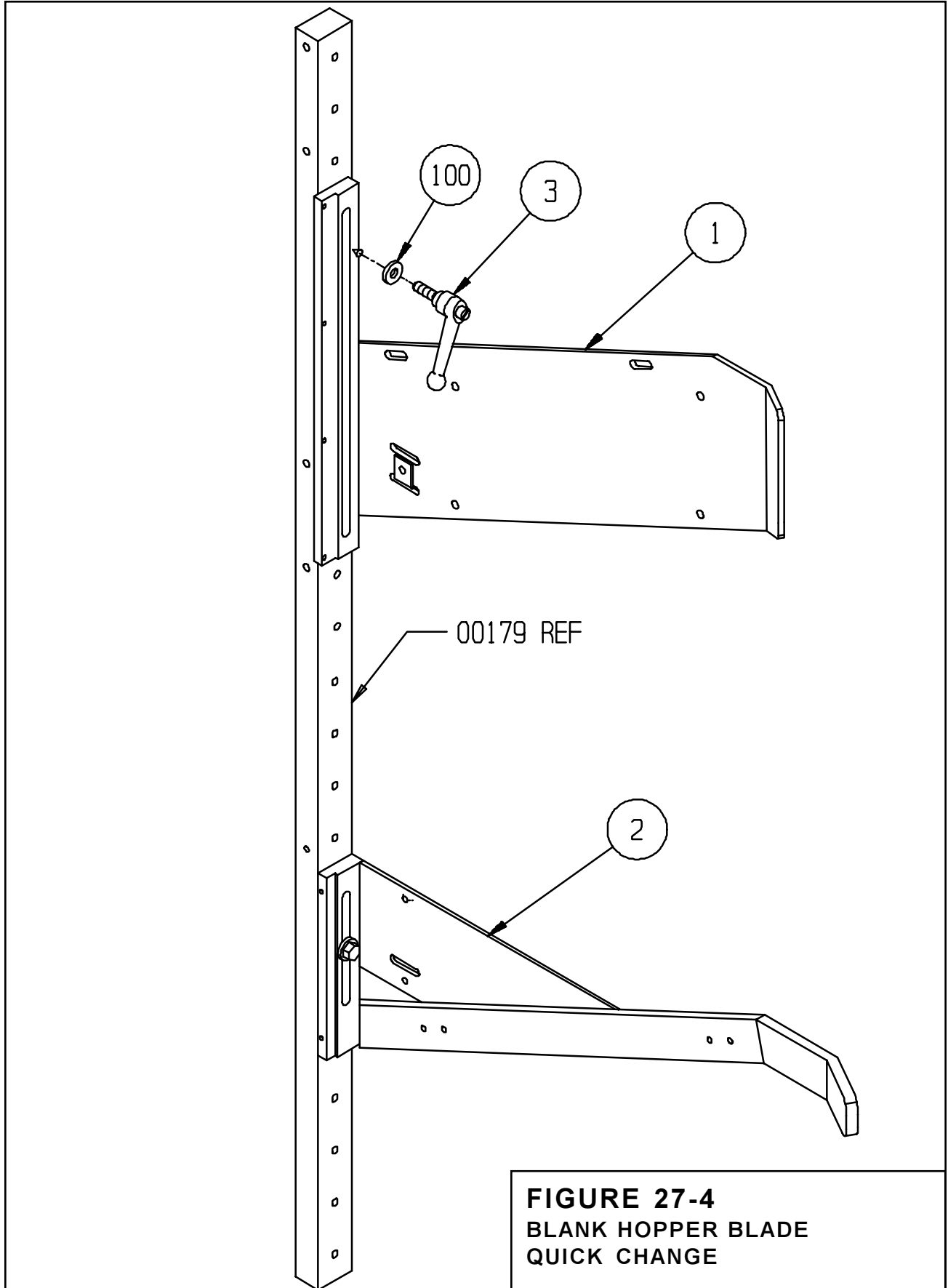


FIGURE 27-4 BLANK HOPPER BLADE QUICK CHANGE

ITEM	PART NO.	DESCRIPTION	QTY.
1	9069301R/L	HOPPER BLADE, EXTENDED SLOT	1/1
2	0018902R/L	BLANK, BLADE SUPPORT	1/1
3	9014000	KIP HANDLE, 5/16 NC	2
100	1500101	WASHER	4



Bliss Box Former



Option Parts & Illustrations

Bliss Box Former

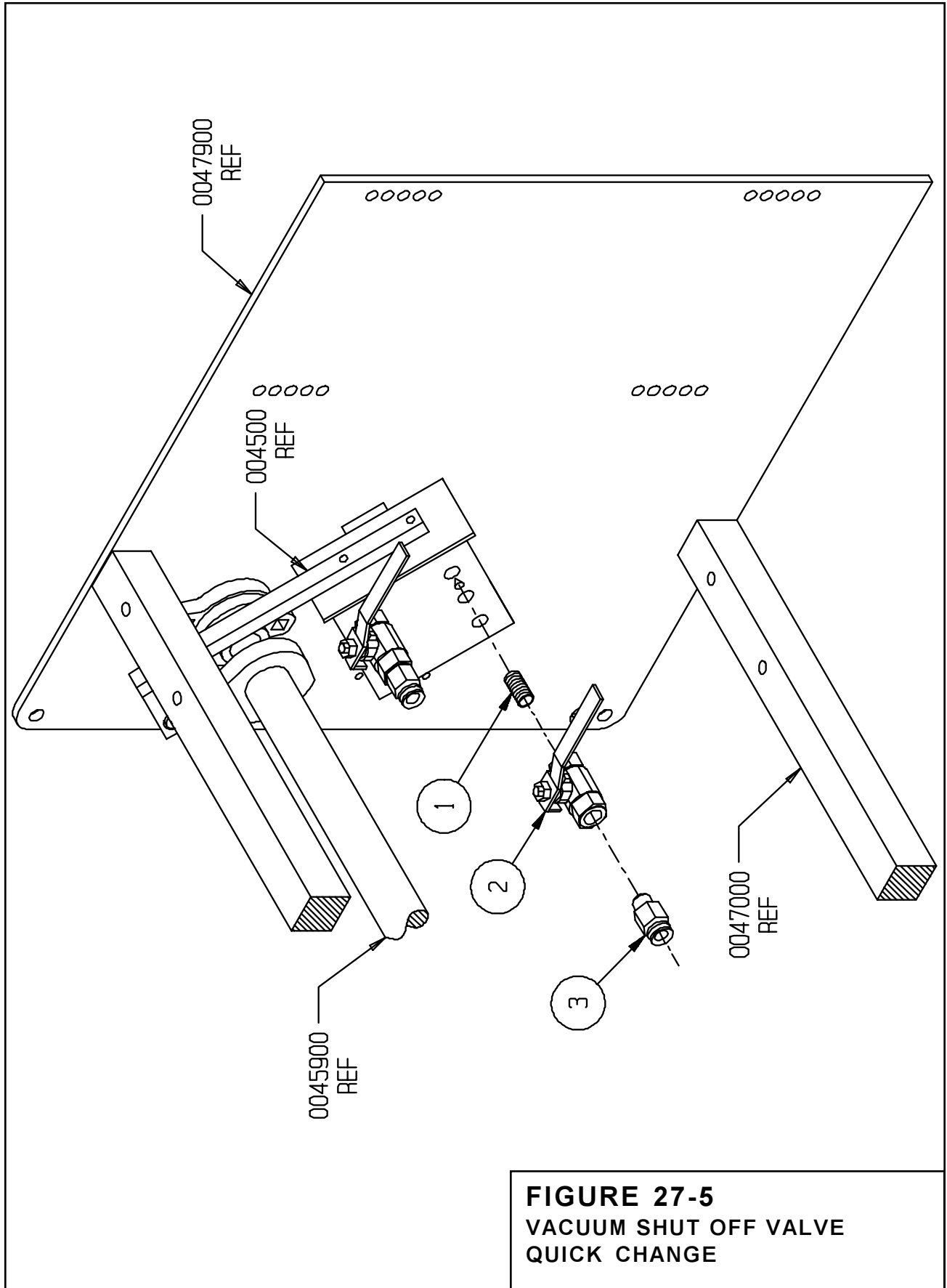


FIGURE 27-5 VACUUM SHUT OFF VALVE QUICK CHANGE

ITEM	PART NO.	DESCRIPTION	QTY.
1	1812100	1/4 NPT FITTING	2
2	1812700	VALVE, 1/4 VACUUM	2
3	1804100	CONNECTOR, 3/8 TUBE	6



Bliss Box Former



Option Parts & Illustrations

Bliss Box Former

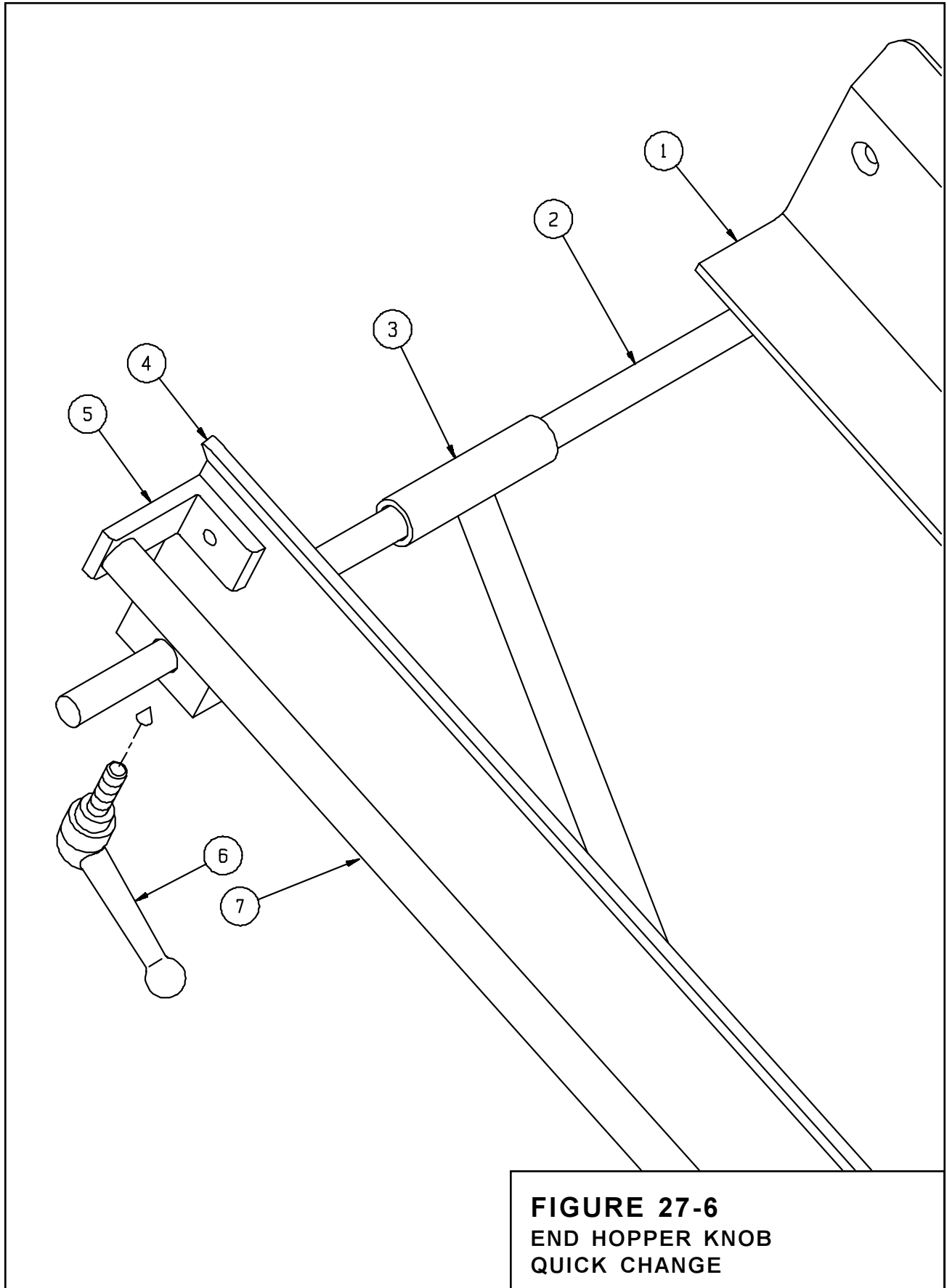


FIGURE 27-6
END HOPPER KNOB
QUICK CHANGE

ITEM	PART NO.	DESCRIPTION	QTY.
1	0013102	RAIL, END HOPPER (INNER)	REF
2	9096400	ROD, END HOP SPREADER	2
3	0037700	SUPPORT, END HOPPER	REF
4	0013302	RAIL, END HOPPER (OUTER)	REF
5	0026700	BRACKET, HOPPER END WEIGHT	REF
6	1814301	KIP HANDLE, 5/16 NC	2
7	0026601	RAIL, BOX END WEIGHT	REF



Bliss Box Former



Option Parts & Illustrations



THIS PAGE IS BLANK

Option Parts & Illustrations