



10.A Option Parts & Illustrations

INTRODUCTION

This section lists and illustrates the replaceable assemblies and parts of the Bliss Box Former as manufactured by W. E. Plemons Machinery Services, Inc. Each parts list contains the component parts for that assembly.

10.1A Index

FIGURE / DESCRIPTION

FIGURE 10-1

LOWER BLANK STOP ASSEMBLY
BLISS KWIK CHANGE

FIGURE 10-2

GEAR CRANK ASSEMBLY
BLISS KWIK CHANGE

FIGURE 10-3A

BTM RAIL/ROLLER ASSEMBLY
INTERNAL FLANGE
BLISS KWIK CHANGE

FIGURE 10-4A

FRONT STACKUP
INTERNAL FLANGE
BLISS KWIK CHANGE

FIGURE 10-5

COMPRESSION SCREW SHAFT ASSEMBLY
BLISS KWIK CHANGE

FIGURE 10-6

BLANK FEED ROLLER ASSEMBLY
BLISS KWIK CHANGE

FIGURE 10-7A

COMPRESSION ASSEMBLY
INTERNAL FLANGE
BLISS KWIK CHANGE

FIGURE 10-8

TOP BLADE ADJUSTMENT ASSEMBLY
BLISS KWIK CHANGE

FIGURE 10-9A

SIDE HOPPER ASSEMBLY
INTERNAL FLANGE
BLISS KWIK CHANGE

FIGURE 10-10

WEIGHT SYSTEM
ASSEMBLY-IF
BLISS KWIK CHANGE

FIGURE 10-11A

MINI TREE ASSEMBLY
INTERNAL FLANGE
BLISS KWIK CHANGE

FIGURE 10-12

RIGHT CHAIN ATTACHMENT ASSEMBLY
BLISS KWIK CHANGE

FIGURE 10-13

LEFT CHAIN ASSEMBLY
BLISS KWIK CHANGE

10.2A Illustrated Parts

See Next Page

Bliss Box Former



FIGURE 10-1
LOWER BLANK STOP ASSEMBLY
BLISS KWIK CHANGE

ITEM	PART NO.	DESCRIPTION	QTY.
1	2101900	BAR, LOWER MT BTM ADJ	2
2	0090300	BLOCK, BOTTOM STOP ADJ	2
3	2101600	BAR, LEFT SIDE SCREW MT	1
4	2101800R/L	BLOCK, VERTICLE SPROCKET MT	2/2
5	2102000	SCREW SPROCKET, BTM STOP	2
6	2101500	BAR, RIGHT SIDE SCREW MT	1
7	2102100	BAR, BOTTOM STOP SUPPORT	1
8	2101700	BRACKET, RIGHT SIDE IDLER MT	1
9	2106800	AXLE, BTM & TOP LEFT IDLER	1
10	0030902	STOP, BOTTOM	2
11	0090400	SPACER, BOTTOM STOP	2
100	0208600	BUSHING, BRASS	4
101	0300101	IDLER SPROCKET	1
102	8010100	3/8-16 HEX HD CAP SCR X 1 1/4	4
103	8010400	3/8-16 HEX HD CAP SCR X 2	2
104	8011900	7/16-14 HEX HD CAP SCR X 1 1/2	4
105	8011800	7/16-14 HEX HD CAP SCR X 1 1/4	4
106	8008400	5/16-18 HEX HD CAP SCR X 1 1/4	8
107	8004700	5/16-18 SCKT FLT HD SCR X 3/4	2
108	8008200	5/16-18 HEX HD CAP SCR X 3/4	6
109	8001800	3/8-16 CARRIAGE HD SCR X 2	1
110	1500200	WASHER	1
111	1500102	WASHER	4
112	8035800	5/16 SAE FLT WASHER	2
113	8036700	5/16 STD LOCK WASHER	12
114	8035900	3/8 SAE FLT WASHER	2
115	8025700	3/8 FIBER LOCK NUT	2
116	8036800	3/8 STD LOCK WASHER	5
117	8024500	3/8-16 HEX NUT	5
118	8036900	7/16 STD LOCK WASHER	8
119	8024600	7/16-14 HEX NUT	

Option Parts & Illustrations



Bliss Box Former

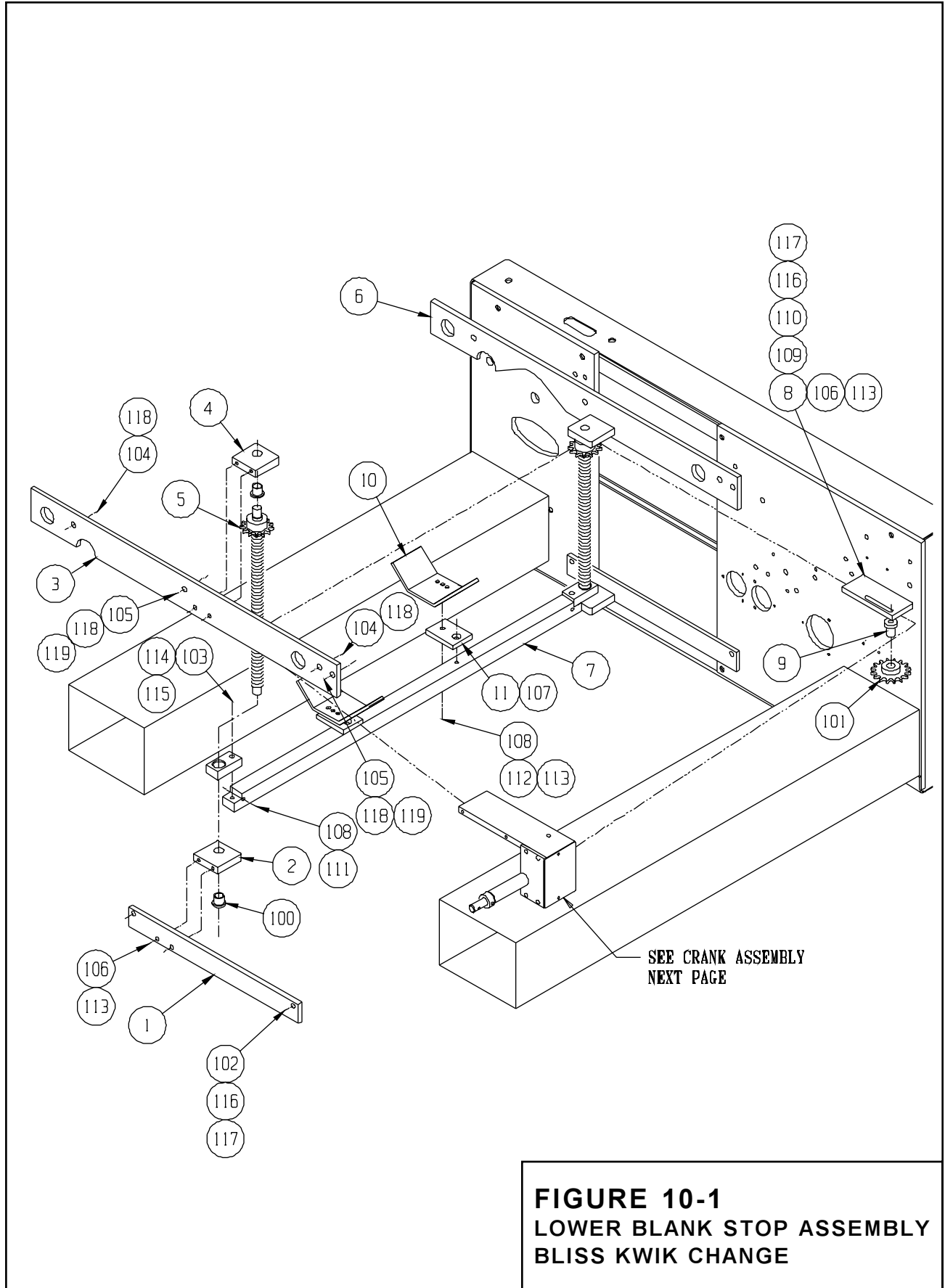


FIGURE 10-1
LOWER BLANK STOP ASSEMBLY
BLISS KWIK CHANGE

Option Parts & Illustrations

Bliss Box Former



FIGURE 10-2
GEAR CRANK ASSEMBLY
BLISS KWIK CHANGE

ITEM	PART NO.	DESCRIPTION	QTY.
1	2102500	MOUNT, CRANK HANDLE	1
2	2102900	MITER GEAR	1
3	2102600	GEAR STOP PIVOT	1
4	2102200	PLATE, GEAR BOX	1
5	2102700	SHAFT, GEAR BOX	1
6	2102300	PLATE, LOWER GEAR BOX	1
7	2102400	COVER, GEAR BOX	1
8	2102800	SPROCKET, MITER GEAR	1
100	0100400	SET COLLAR, 5/8"	1
101	0208600	BUSHING, BRASS	4
102	0208500	BUSHING, BRASS	1
103	0700307	ROLL PIN, 3/16 X 1	1
104	0700800	ROLL PIN, 3/16 X 1 3/4	1
105	8030400	10-32 SCKT ND CAP SCR X 1/2	2
106	8008200	5/16-18 HEX HD CAP SCR X 3/4	4
107	8008300	5/16-18 HEX HD CAP SCR X 1	2
108	8008400	5/16-18 HEX HD CAP SCR X 1 1/4	2
109	8036700	5/16 STD LOCK WASHER	8



Bliss Box Former

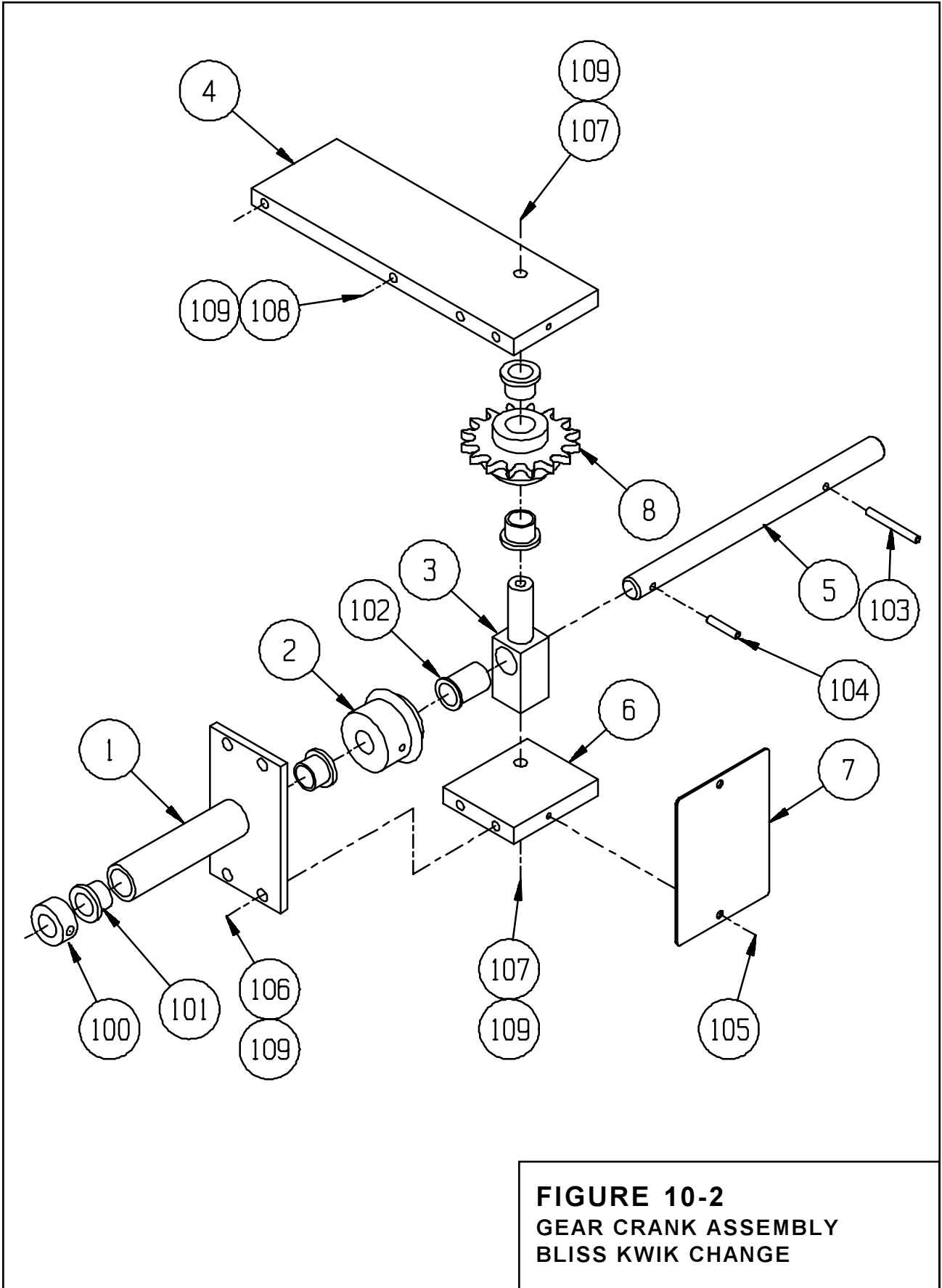


FIGURE 10-2
GEAR CRANK ASSEMBLY
BLISS KWIK CHANGE

Option Parts & Illustrations

Bliss Box Former



FIGURE 10-3A BTM RAIL/ROLLER ASSEMBLY INTERNAL FLANGE BLISS KWIK CHANGE

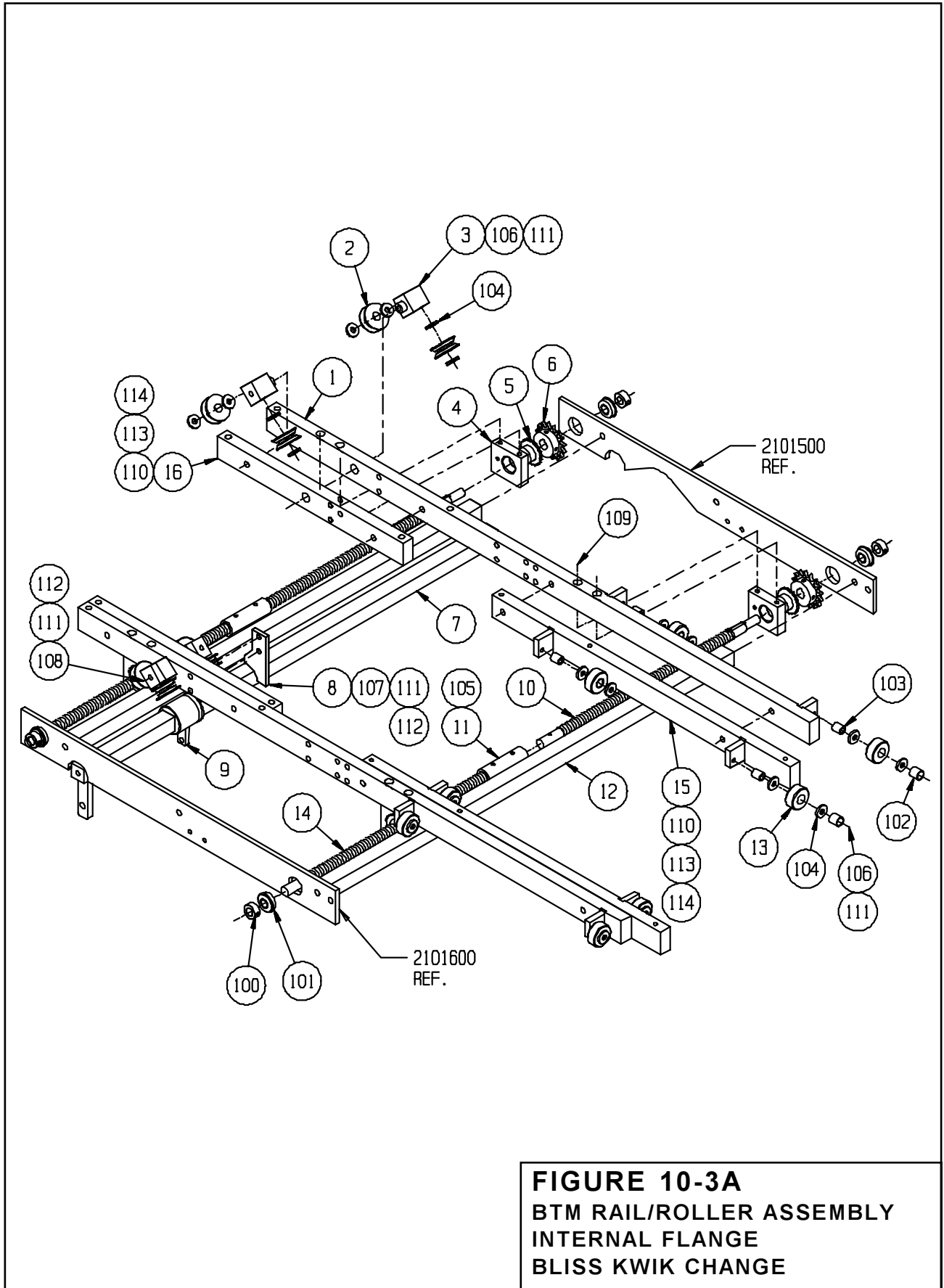
ITEM	PART NO.	DESCRIPTION	QTY.
1	2104001R/L	BAR, MAIN HORIZONTAL-I/F	1/1
2	2103800	ROLLER, REAR TRACK	8
3	2103500	BLOCK, REAR ROLLER	4
4	2103100	MOUNT, LOWER SCREW	4
5	0082300R/L	DISC, ADJ SCREW	2/2
6	0087100	SPROCKET, COMP ADJ	2
7	2103200	BAR, LOWER COMP ADJ	1
8	2103400	BLADE, CLAMP LEVER	2
9	2103600	SLIDE, ARM COMPRESSION	2
10	2103000	SCREW SHAFT, RIGHT SIDE	2
11	0087000	COUPLING, SCREW ADJ	2
12	2103300	BAR, LOWER SPREADER	2
13	2103900	ROLLER, FRONT TRACK	8
14	2103700	SCREW SHAFT, LEFT SIDE	2
15	0068801R/L	BAR, FRONT SPLIT HORIZONTAL	1/1
16	0068701	BAR, REAR SPLIT HORIZONTAL	2
100	0100400	SET COLLAR, 5/8"	4
101	0500600	BEARING	4
102	0202200	BUSHING, BRASS	8
103	0206400	BUSHING	8
104	1500200	WASHER	24
105		ROLL PIN, 7/32 X 1 3/4	4
106	8010200	3/8-16 HEX HD CAP SCR X 1 1/2	12
107	8010700	3/8-16 HEX HD CAP SCR X 2 3/4	4
108		3/8-16 HEX HD CAP SCR X 6 1/2	2
109	8034200	3/8-16 SCKT HD CAP SCR X 2	8
110	8012300	7/16-14 HEX HD CAP X 2 1/2	8
111	8036800	3/8 STD LOCK WASHER	12
112	8024500	3/8-16 HEX NUT	6
113	8036900	7/16 STD LOCK WASHER	8
114	8024600	7/16-14 HEX NUT	8

Used on Internal Flange

Option Parts & Illustrations



Bliss Box Former



Option Parts & Illustrations

Bliss Box Former



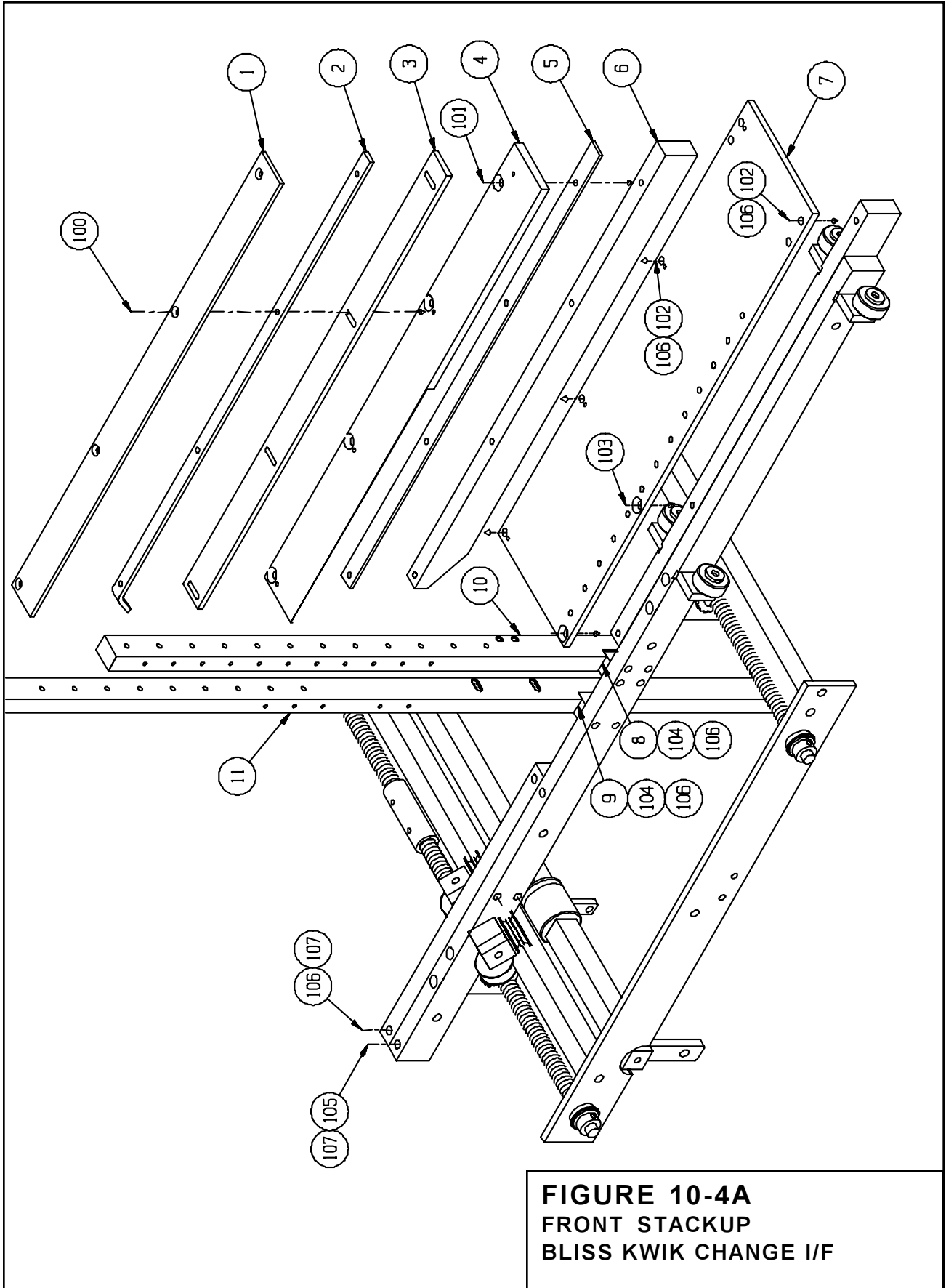
FIGURE 10-4A
FRONT STACKUP
BLISS KWIK CHANGE I/F

ITEM	PART NO.	DESCRIPTION	QTY.
1	0012400	STRIP, MANDREL CAP	2
2	0031201R/L	SHIM, GUIDE CAP	1/1
3	0012300	RAIL, MANDREL GUIDE	2
4	0025300	BASE, PLUNGER GUIDE	2
5	00255XX~	SPACER	2
6	0068200	BAR, SPACER	2
7	0012201R/L~	PLATE, MANDREL SUPPORT	1/1
8	0029103	SPACER, MATT GUIDE-7/8"	2
9	0029100	SPACER, 1/4"	A/N
	0029101	SPACER, 1/8"	A/N
	0029102	SPACER, 3/16"	A/N
	0029104	SPACER, 1.0"	A/N
	0029105	SPACER, 1/16"	A/N
10	0068000	POST, MINI TREE	2
11	0017903	BAR, GUIDE SUPPORT	REF
100	8002900	1/4-20 SCKT FLT HD SCR X 1 1/4	8
101	8005800	3/8-16 SCKT FLT HD SCR X 2	8
102	8010000	3/8-16 HEX HD CAP SCR X 1	2
103	8004800	3/8-16 SCKT FLT HD SCR X 1	8
104	8010700	3/8-16 HEX HD CAP SCR X 2 3/4	8
105	8013000	7/16-14 HEX HD CAP SCR X 4 1/2	4
106	8013400	7/16-14 HEX HD CAP SCR X 5 1/4	4
107	8036800	3/8 STD LOCK WASHER	16
108	8036900	7/16 STD LOCK WSHER	8

~ Variable Part



Bliss Box Former



Option Parts & Illustrations

Bliss Box Former

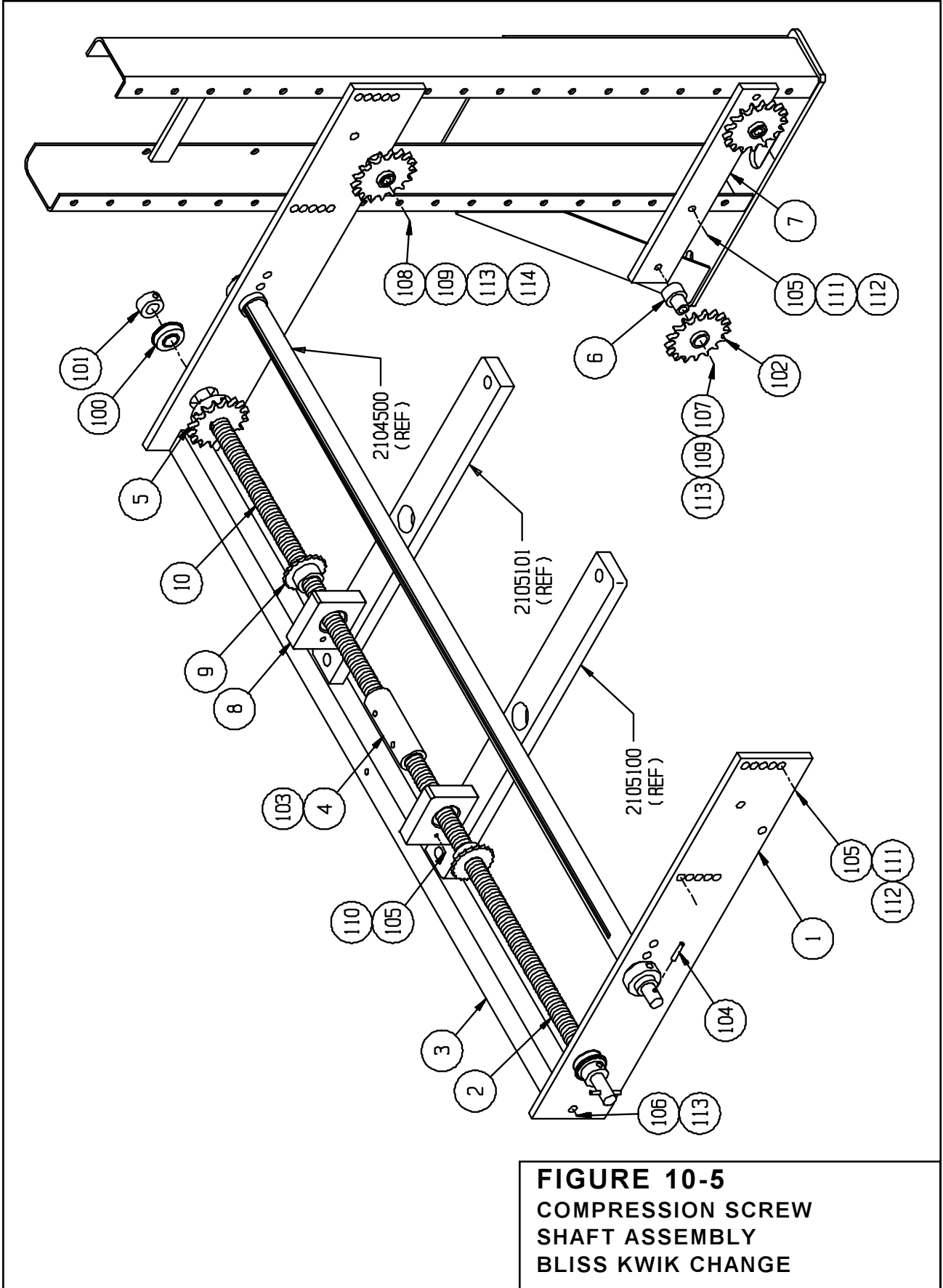


FIGURE 10-5
COMPRESSION SCREW SHAFT ASSY
BLISS KWIK CHANGE

ITEM	PART NO.	DESCRIPTION	QTY.
1	2104100	PLATE, TOP COMP SUPPORT	2
2	2104200	SCREW SHAFT, COMP ADJ	1
3	2107600	BAR, TOP COMP	1
4	0087000	COUPLING, SCREW ADJ	1
5	0087100	SPROCKET	1
6	2104400	AXLE, IDLER SPROCKET	3
7	2109600	MOUNT, RIGHT IDLER	1
8	2103100	MOUNT, LOWER SCREW	2
9	0082300R/L	DISC, SCREW ADJ	1/1
10	2103000	SCREW SHAFT, RIGHT SIDE	1
100	0500600	BEARING	2
101	0100400	SET COLLAR, 5/8"	2
102	0300101	IDLER SPROCKET	3
103		ROLL PIN, 7/32 X 1 3/4	2
104	0700307	ROLL PIN, 3/16 X 1	2
105	8008300	5/16-18 HEX HD CAP SCR X 1	8
106	8010100	3/8-16 HEX HD CAP SCR X 1 1/4	2
107	8010400	3/8-16 HEX HD CAP SCR X 2	2
108	8010500	3/8-16 HEX HD CAP SCR X 2 1/4	1
109	1500200	WASHER	3
110	1501100	WASHER	2
111	8036700	5/16 STD LOCK WASHER	5
112	8024400	5/16-18 HEX NUT	5
113	8036800	3/8 STD LOCK WASHER	5
114	8024500	3/8-16 HEX NUT	1



Bliss Box Former



Option Parts & Illustrations

Bliss Box Former



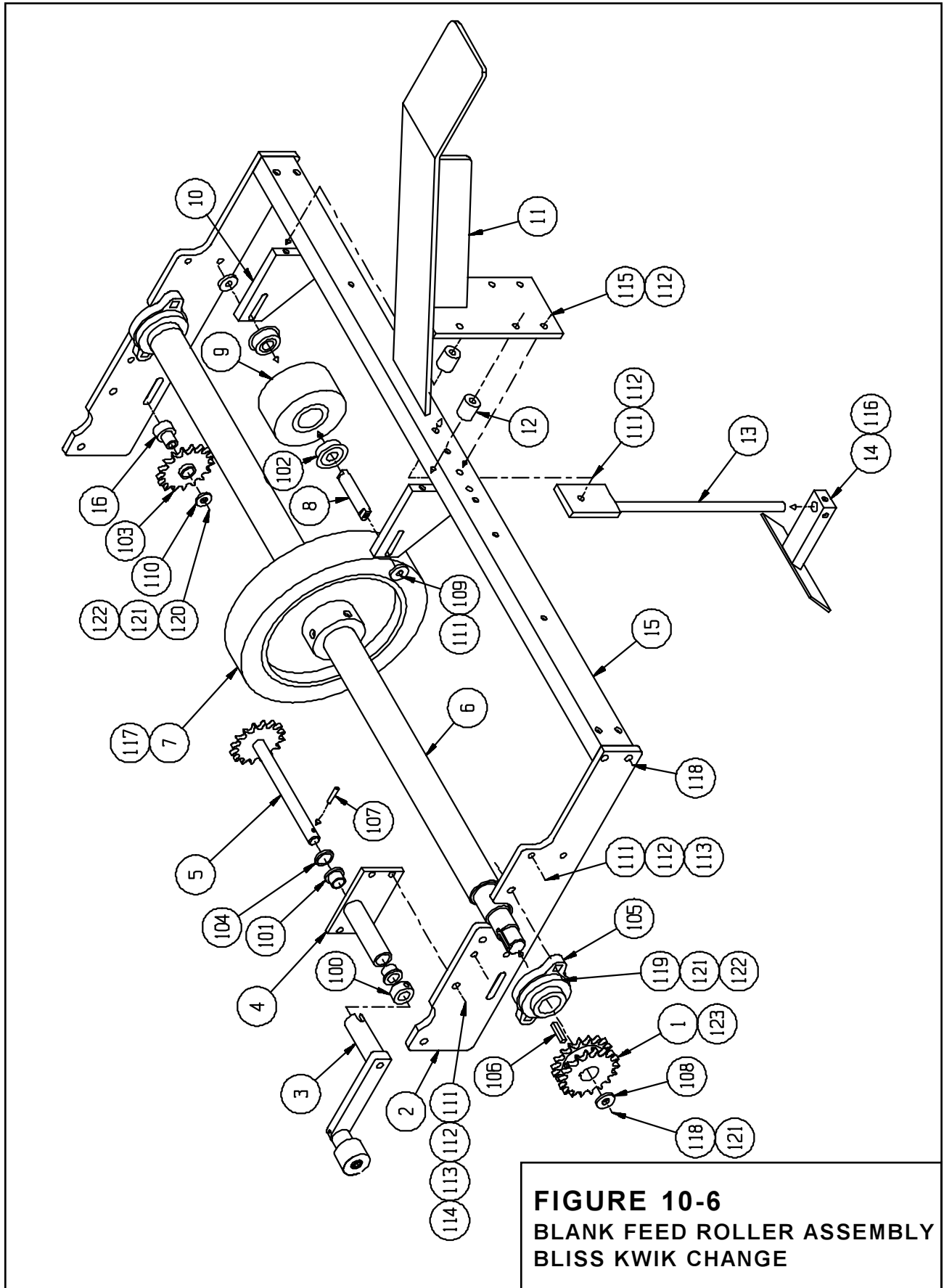
FIGURE 10-6
BLANK FEED ROLLER ASSEMBLY
BLISS KWIK CHANGE

ITEM	PART NO.	DESCRIPTION	QTY.
1	0045400	SPROCKET, VACUUM FEED DRIVE	1
2	2104300	PLATE, FEED ROLLER MOUNT	2
3	0082100	HANDLE ASSEMBLY	1
4	2102500	MOUNT, CRANK ASSEMBLY	1
5	0084200	SPROCKET, COMP & TREE DRIVE	1
6	0015207	SHAFT, BLANK FEED ROLLER	1
7	0018002	WHEEL, BLANK FEED	1
8	0018401	AXLE, IDLE ROLLER	1
9	0018100	ROLLER, FEED IDLER	1
10	0086000	MOUNT, IDLE ROLLER	2
11	0013607	HOPPER SUPPORT BRACKET	1
12	0208901	BUSHING	2
13	0048400	MATT DEFLECTOR ROD	1
14	0048500	MATT TOP DEFLECTOR	1
15	0020504	BAR, BLANK FEED IDLE ROLLER	1
16	2104400	AXLE, IDLER SPROCKET	1
100	0100400	SET COLLAR, 5/8"	1
101	0208600	BUSHING, BRASS	2
102	0500600	BEARING	2
103	0300101	IDLER SPROCKET	1
104	0205000	BUSHING	1
105	0501201	1 3/16 FLANGE BEARING	2
106	0900301	KEY, 3/4 SQUARE X 1	1
107	0700307	ROLL PIN, 3/16 X 1	1
108	1500101	WASHER	1
109	1501100	WASHER	2
110	1500200	WASHER	1
111	8008300	5/16-18 HEX HD CAP SCR X 1	11
112	8036700	5/16 STD LOCK WASHER	13
113	8024400	5/16-18 HEX NUT	8
114	8035800	5/16 SAE FLT WASHER	2
115	8008700	5/16-18 HEX HD CAP SCR X 2	4
116	8026900	5/16-18 CUP PT SET SCR X 3/8	2
117	8027300	3/8-16 CUP PT SET SCR X 1/2	2
118	8010000	3/8-16 HEX HD CAP SCR X 1	5
119	8001300	3/8-16 CARRIAGE HD SCR X 1 1/4	4
120	8001600	3/8-16 CARRIAGE HD SCR X 2	1
121	8036800	3/8 STD LOCK WASHER	6
122	8024500	3/8-16 HEX NUT	5
123		5/16-18 FLT PT SET SCR X 1/2	2

Option Parts & Illustrations



Bliss Box Former



Option Parts & Illustrations

Bliss Box Former



FIGURE 10-7A
COMPRESSION ASSEMBLY
BLISS KWIK CHANGE-I/F

ITEM	PART NO.	DESCRIPTION	QTY.
1	2106200R/L	PLATE, COMPRESSION	1/1
2	2105200	SHAFT, COMPRESSION	4
3	0023901	BLOCK, LOWER COMP MOUNT	4
4	2104800	BLOCK, COMPRESSION	8
5	2105301	GUIDE, TUBE ASSY-I/F	4
6	2105001	PLATE, SHOE ADJ-I/F	2
7	2105900	BAR, VERTICLE SHOE ADJ	2
8	2104901	BLOCK, SCREW ADJ-I/F	2
9	0085400R/L	SCREW SHAFT, COMP ADJ	1/1
10	2105101	BAR, TOP LEFT COMP PLATE	1
11	2106100	BAR, UPPER LEFT MOINT	1
12	2106500	KEY FOLLOWER	2
13	2106400	BEVEL GEAR, COMPRESSION	2
14	2107800	RETAINER, GEAR	2
15	2104700	MOUNT, BEVEL GEAR	2
16	2107900	RING SPACER	2
17	2104600	GUARD, BEVEL GEARS	2
18	2105500	SPACER, LEFT GEAR	1
*19	2105600	SPACER, RIGHT GEAR	1
20	2104500	SHAFT, TOP COMP ADJ	1
21	2105701R/L	PLATE, TOP SHOE ADJ	1/1
22	2111900	BLOCK, GUIDE	2
23	0047400	SHAFT, VACUUM FEED SLIDE	4
24	2105801	SHOE, UPPER BOX FORMING	2
*25	2105100	BAR, TOP RIGHT COMP PLATE	1
*26	2106101	BAR, UPPER RIGHT MOUNT	1
27	2109500R/L	ANGLE, BOX END GUIDE	REF
28	2112000	MOUNT, LINEAR BEARING	2
29	2112100	LOCK, SHAFT	1
30	2112200	LOCK, BOLT	1
31	0019902	LINK, BOX CLAMP	8
32	0068601	SPACER, REAR STACKUP	4
*33	0019803	ROD	2
100	1807500	CLIP RING	2
101	0207700	BUSHING, BRASS	2
102	0203800	SPACER	16
103	0203500	BUSHING	2
104	0047100	BEARING, LINEAR SLIDE	4
105	0047300	SEAL, LINEAR BEARING	8
106	0047200	RETAINER, LINEAR BEARING	8
107	0087600	WASHER, THRUST	2
108	0700307	ROLL PIN, 3/16 X 1	2
109	8008200	5/16-18 HEX HD CAP SCR X 3/4	4
110	8008500	5/16-18 HEX HD CAP X 1 1/2	16
111	8032700	5/16-18 SCKT HD CAP SCR X 1	4
112	8009000	5/16-18 HEX HD CAP SCR X 2 3/4	4
113		5/16-18 CARRIAGE HD X 2	16
114	8004900	5/16-18 SCKT FLT HD X 1 1/4	4
115		5/16-18 SCKT FLT HD X 3 1/2	2
116	8030400	10-32 SCKT HD CAP SCR X 1/2	6
117	8036700	5/16 STD LOCK WASHER	10

ITEM	PART NO.	DESCRIPTION	QTY.
118	8024400	5/16-18 HEX NUT	16
119	8035800	5/16 SAE FLT WASHER	6
120	8034000	3/8-16 SCKT HD CAP X 1 1/4	4
121	8010000	3/8-16 HEX HD CAP SCR X 1	8
122	8010100	3/8-16 HEX HD CAP SCR X 1 1/4	8
123	8011000	3/8-16 HEX HD CAP SCR X 3 1/2	4
124	8036800	3/8 STD LOCK WASHER	20
125	1501600	WASHER	8
126	8013000	7/16-14 HEX HD CAP SCR X 4 1/2	4
127	8013400	7/16-14 HEX HD CAP SCR X 5 1/4	4
128	8036900	7/16 STD LOCK WASHER	8
129	8024600	7/16-14 HEX NUT	8

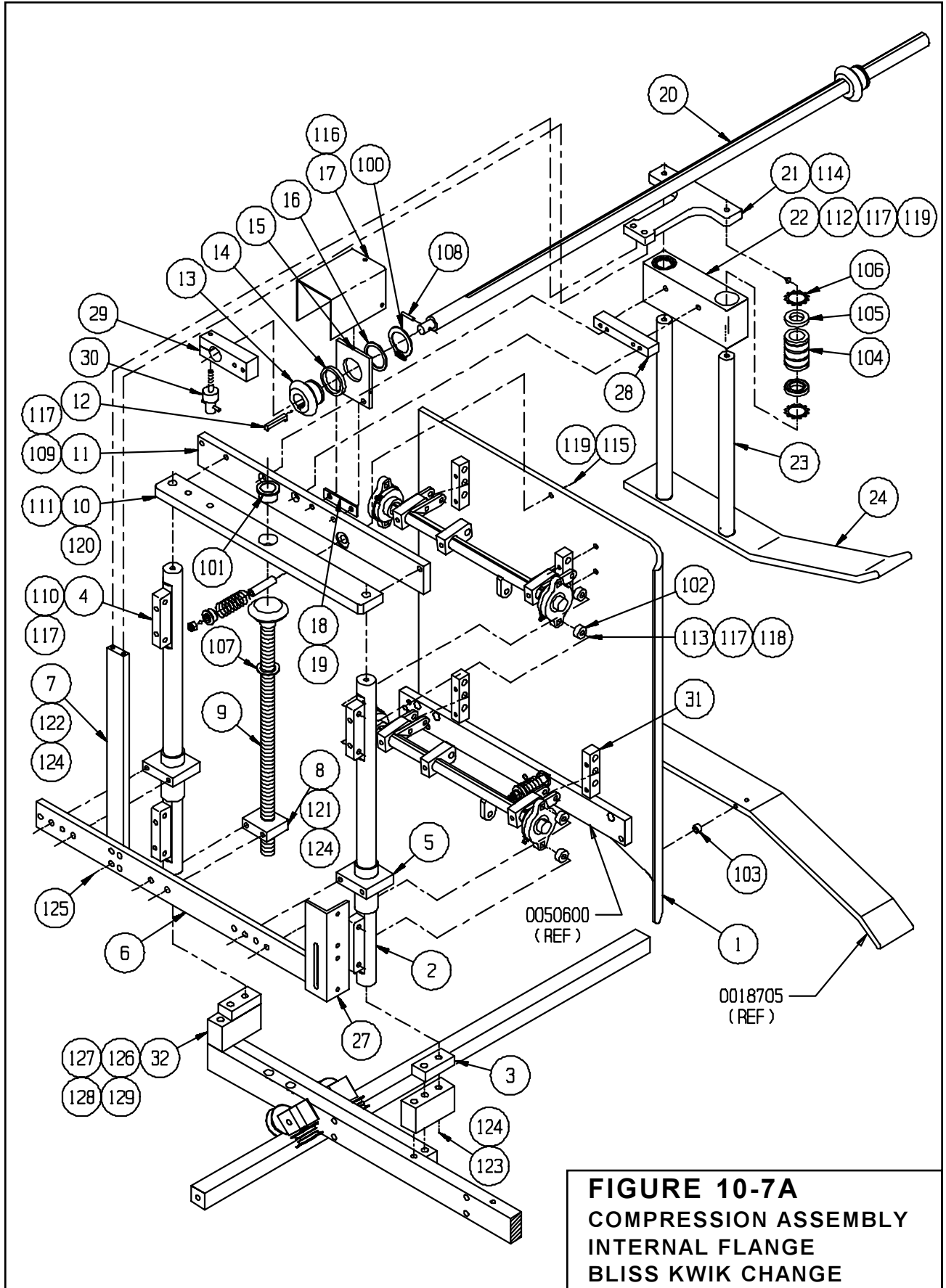
Used on Internal Flange

*** Not Shown**

Option Parts & Illustrations



Bliss Box Former



Option Parts & Illustrations

Bliss Box Former



FIGURE 10-8
TOP BLADE ADJ ASSEMBLY
BLISS KWIK CHANGE

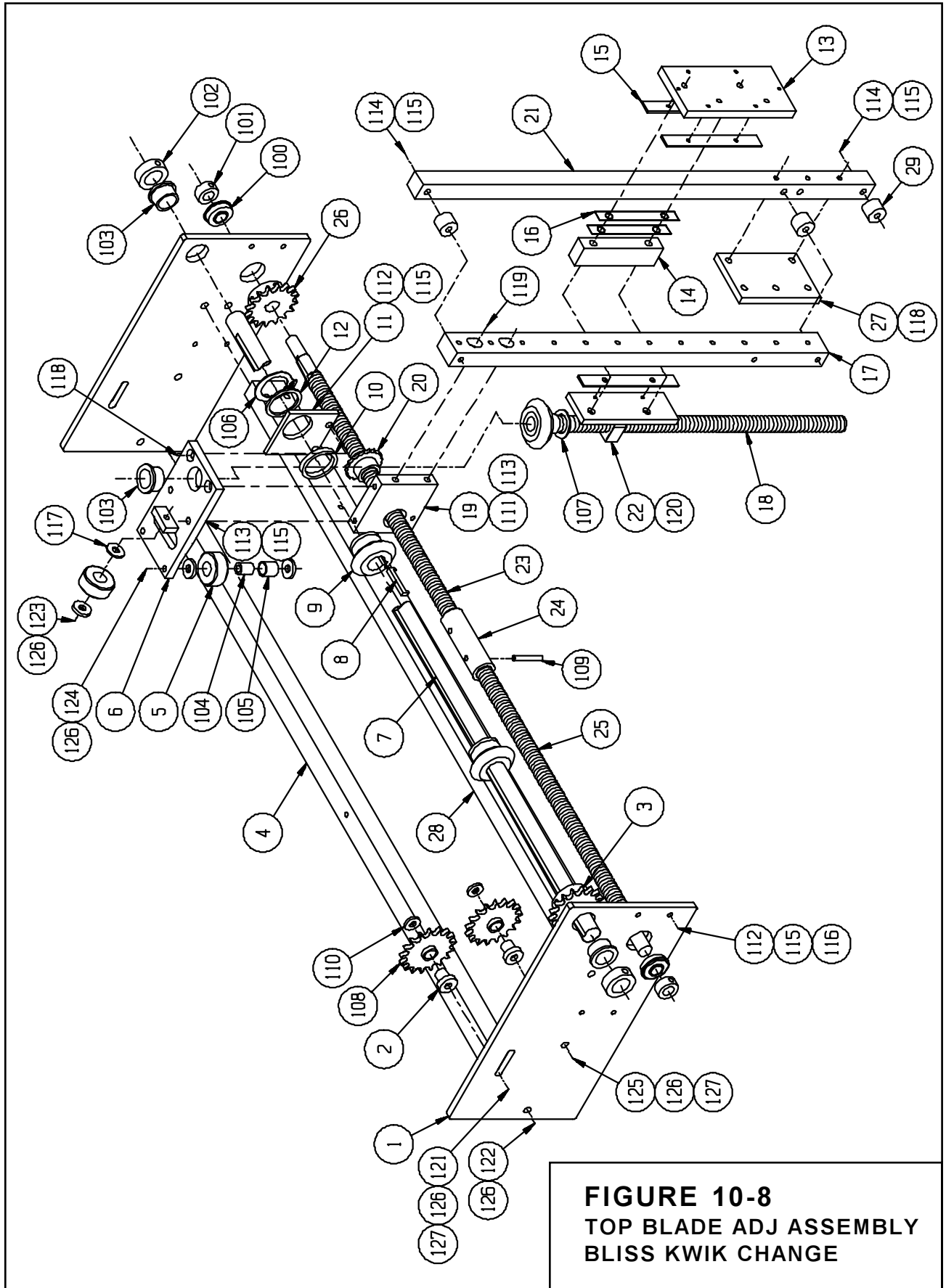
ITEM	PART NO.	DESCRIPTION	QTY.
1	2106600	PLATE, UPPER ADJUSTMENT	2
2	2106800	AXLE, LH & BTM SPROCKET	2
3	0089200	SPROCKET, 41B16	1
4	2107600	BAR, TOP ADJUSTMENT	1
5	2103900	ROLLER, TRACK	6
6	2107400	BRACKET, TOP ADJUSTING	2
7	2107500	SHAFT, TOP ADJUSTING	1
8	2106500	KEY FOLLOWER	2
9	2106400	BEVEL GEAR, 12B30	2
10	2107800	RING SPACER	2
11	2107700	PLATE, SUPPORT	2
12	2107900	RETAINER, GEAR	2
13	2106900	PLATE, GUIDE	2
14	2107000	BLOCK, UPPER GUIDE	2
15	0086100	WEAR STRIP	6
16	0089700	SHIM	2
17	2107200	BAR, HOPPER GUIDE	2
18	0085400	SCREW, TOP COMP ADJ	2
19	2106700	BLOCK, UPPER SCREW	2
20	0082300R/L	DISC, SCREW ADJ	1/1
21	2107100	BAR, VERTICLE GUIDE	2
22	0089600R/L	BLOCK, MATT HOPPER ADJ	1/1
23	2103000	SCREW SHAFT, RIGHT SIDE	1
24	0087000	COUPLING, SCREW ADJ	1
25	2103700	SCREW SHAFT, LEFT SIDE	1
26	0087100	SPROCKET, 41B16	1
27	2107300	PLATE, UPPER SPLICE GUIDE	2
28	0020504	BAR, BLANK FEED IDLE ROLLER	1
29	0088300	SPACER, MATT GUIDE BAR MTG	6
100	0500600	BEARING	2
101	0100400	SET COLLAR, 5/8"	2
102	0100700	SET COLLAR, 1"	2
103	0207700	BUSHING, BRASS	4
104	0206400	BUSHING	6
105	0202200	BUSHING, BRASS	6
106	1807500	CLIP RING	2
107	0087600	WASHER, THRUST	2
108	0300101	IDLER SPROCKET	2
109		ROLL PIN, 7/32 X 1 3/4	2
110	1500200	WASHER	8
111	1500102	WASHER	2
112	8008200	5/16-18 HEX HD CAP SCR X 3/4	10
113	8008300	5/16-18 HEX HD CAP SCR X 1	6
114	8008800	5/16-18 HEX HD CAP SCR X 2 1/4	4
115	8036700	5/16 STD LOCK WASHER	20
116	8024400	5/16-18 HEX NUT	8
117	8035800	5/16 SAE FLT WASHER	2
118	8004800	5/16-18 SCKT FLT HD SCR X 1	18
119	8033900	3/8-16 SCKT HD CAP SCR X 1	4
120	8006000	3/8-16 SCKT FLT HD X 2 1/4	4

ITEM	PART NO.	DESCRIPTION	QTY.
121	8001400	3/8-16 CARRIAGE HD SCR X 1 3/4	1
122	8010000	3/8-16 HEX HD CAP SCR X 1	4
123	8010200	3/8-16 HEX HD CAP SCR X 1 1/2	2
124	8010300	3/8-16 HEX HD CAP SCR X 1 3/4	4
125	8010400	3/8-16 HEX HD CAP SCR X 2	1
126	8036800	3/8 STD LOCK WASHER	12
127	8024500	3/8-16 HEX NUT	2

Option Parts & Illustrations



Bliss Box Former



Option Parts & Illustrations

Bliss Box Former



FIGURE 10-9A
SIDE HOPPER ASSEMBLY
BLISS KWIK CHANGE-I/F

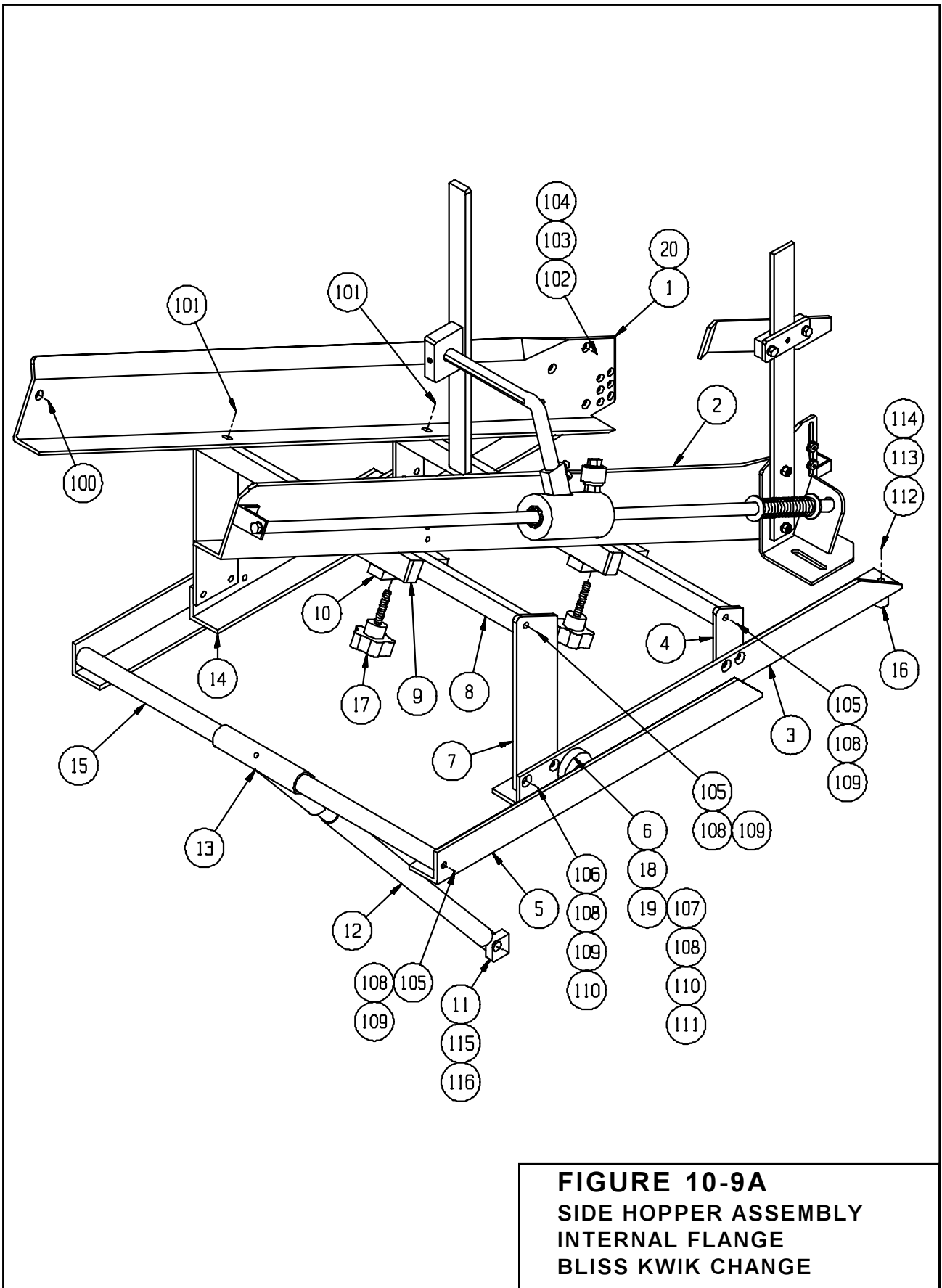
ITEM	PART NO.	DESCRIPTION	QTY.
1	0013102R/L	RAIL, INSIDE END HOPPER	1/1
2	0013302R/L	RAIL, OUTSIDE END HOPPER	1/1
3	2108001R/L	ANGLE, FRONT ROLLER GUIDE-I/F	1/1
4	2108301	UPRIGHT, FRONT HOPPER SUP-I/F	4
5	2108700R/L	TRACK, HOPPER	2/2
6	2108900	WHEEL, HOPPER	4
7	2108201	UPRIGHT, REAR HOPPER SUP-I/F	4
8	2108400	BAR, HOPPER SUPPORT	4
9	2108600	BLOCK, ADJUSTING	8
10	2108500	BAR, HOPPER CLAMP	4
11	0029600	MOUNT, END HOPPER SUPPORT	2
12	2109000	SHAFT, HOPPER SUPPORT	2
13	0035600	CONNECTING ROD END	2
14	2108101R/L	ANGLE, REAR ROLLER GUIDE-I/F	1/1
15	2108800	BAR, HOPPER SUPPORT	2
16	0209800	BUSHING-I/F	2
17	1809600	KNOB, HOPPER	4
18	0208400	BUSHING, BRASS	4
19	0202700	BUSHING	4
20	0204100	BUSHING	2
100	8002600	1/4-20 SCKT FLT HD X 1/2	2
101	8002700	1/4-20 SCKT FLT HD X 3/4	8
102	8003000	1/4-20 SCKT FLT HD X 1 1/2	4
103	8036600	1/4 STD LOCK WASHER	4
104	8024300	1/4-20 HEX NUT	4
105	8008300	5/16-18 HEX HD CAP SCR X 1	12
106	8004800	5/16-18 SCKT FLT HD SCR X 1	16
107	8005000	5/16-18 SCKT FLT HD X 1 1.2	4
108	8036700	5/16 STD LOCK WASHER	32
109	8035800	5/16 SAE FLT WASHER	28
110	8024400	5/16-18 HEX NUT	20
111	1501800	WASHER	4
112	8021600	3/8-24 HEX HD CAP SCR X 2 3/4	2
113	8036800	3/8 STD LOCK WASHER	2
114	8035900	3/8 SAE FLT WASHER	2
115	8013900	1/2-13 HEX HD CAP X 1	2
116	8037000	1/2 STD LOCK WASHER	2

* Used on Internal Flange

Option Parts & Illustrations



Bliss Box Former



Option Parts & Illustrations

Bliss Box Former



FIGURE 10-10
WEIGHT SYSTEM ASSEMBLY
BLISS KWIK CHANGE-I/F

ITEM	PART NO.	DESCRIPTION	QTY.
1	0026700	BRACKET, BOX END WEIGHT	2
2	0026601	RAIL, BOX END WEIGHT	2
3	0037802	END PANEL	2
4	0037801	MOUNT, BLOCK	2
5	0075400R/L	GUIDE	1/1
6	0057600	ADJUSTING CLAMP	2
7	0057500	GUIDE, MOUNT BRACKET	2
8	0057700	GUIDE, MOUNT	2
9	0013202R/L	MOUNT BRACKET, END HOPPER	1/1
10	0057800R/L	RETAINER, BOX END	1/1
11	0026501	END HOPPER WEIGHT	2
12	0037800R/L	FINGER, BOX END PUSHER	1/1
100	0207200	BUSHING, BRONZE	2
101	0047101	BEARING	4
102	0047201	RETAINER	4
103	0201700	1 1/4 DIA. BUSHING	2
104	1500100	1" DIA. WASHER	2
105	1202400	SPRING	2
106	8012000	7/16-14 HEX HD BOLT X 1 3/4	2
107	8008200	5/16-18 HEX HD CAP SCR X 3/4	2
108	8002600	1/4-20 FLAT SCKT HD SCR X 1/2	2
109	8002700	1/4-20 FLAT SCKT HD SCR X 3/4	4
110	8002900	1/4-20 FLAT SCKT HD SCR X 1 1/4	4
111	8002800	1/4-20 FLAT SCKT HD SCR X 1	4
112	8004100	#10-32 FLAT SCKT HD SCR X 3/4	4
113	8036000	7/16 SAE FLAT WASHER	2
114	8036700	5/16 LOCK WASHER	4
115		5/16-18 CUP PT SET SCR X 5/16	2
116	8036600	1/4 LOCK WASHER	8
117	8024300	1/4-20 HEX NUT	8
118	8035600	#10 FLAT WAHER	4
119	8025300	#10-32 FIBER LOCK NUT	4
120	8031400	1/4-20 SCKT HD SCR X 3/4	4
121	8024600	7/16-14 HEX NUT	2
122		5/8 SAE FLAT WASHER	4
123	8028100	5/16-18 FLAT PT SET SCR X 5/16	2

Option Parts & Illustrations

* Used on Internal Flange



Bliss Box Former

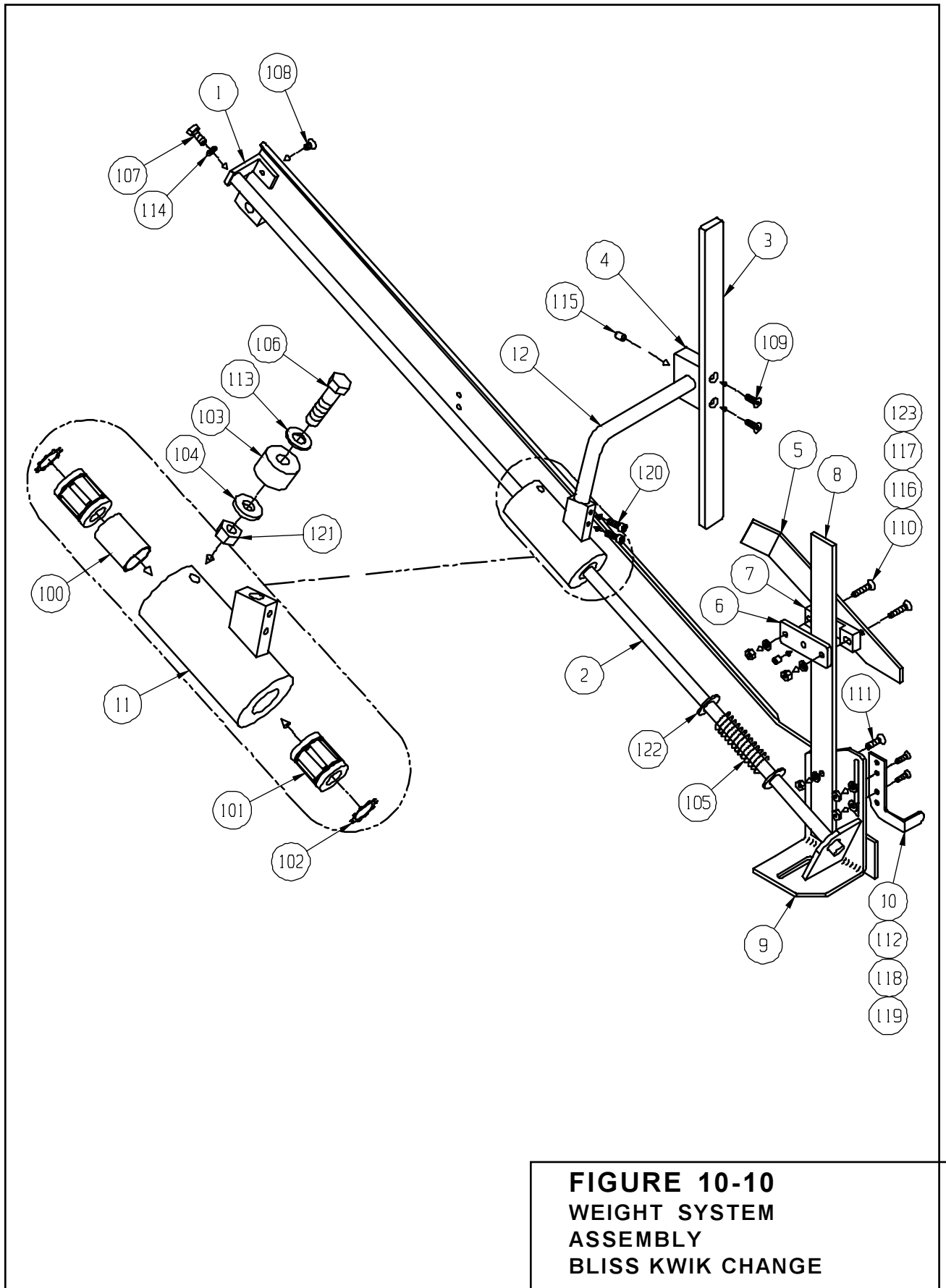


FIGURE 10-10
WEIGHT SYSTEM
ASSEMBLY
BLISS KWIK CHANGE

Option Parts & Illustrations

Bliss Box Former



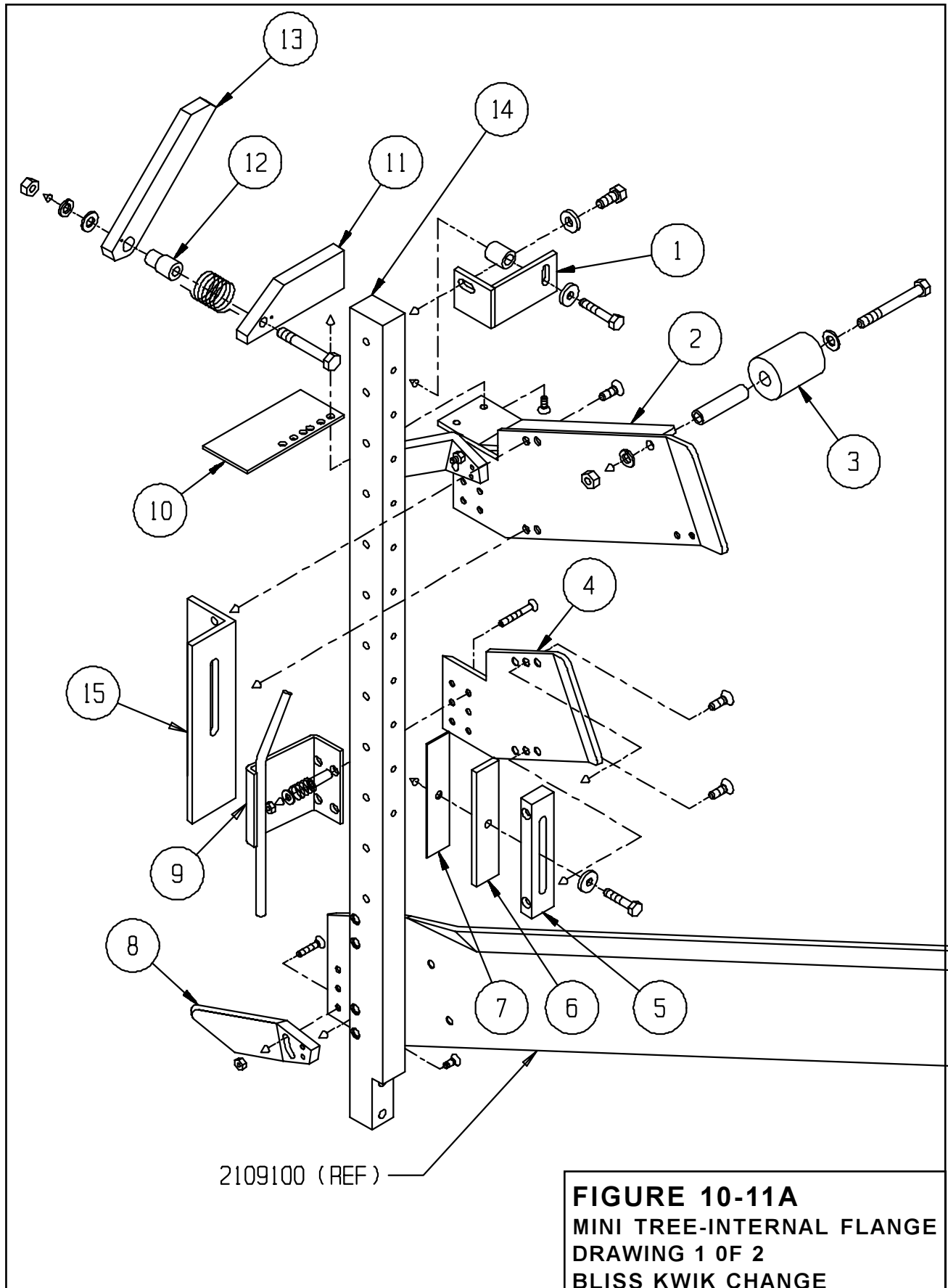
FIGURE 10-11A MINI TREE-INTERNAL FLANGE BLISS KWIK CHANGE

ITEM	PART NO.	DESCRIPTION	QTY.
1	0069300R/L	BRACKET, MINI TREE	1/1
2	0013401R/L	WELDMENT, BOX END GUIDE	1/1
3	0022401	ROLLER, END HOPPER	2
4	0013404R/L	GUIDE, BOX END	1/1
5	0034200	BAR, HEAD GUIDE MOUNTING	4
6	0029300	SHIM, 1/4"	4
7	0022900	SHIM, 16 GAGE	4
8	00691--R/L	PLOW	2/2
9	0070600R/L	DEFLECTOR BRACKET	1/1
10	0042901	PLATE, BLANK DEFLECTOR BASE	2
11	0025902	DEFLECTOR, MATT	2
12	0042800	AXLE, BLANK DEFLECTOR	2
13	0042700	DEFLECTOR, BLANK GUIDE	2
14	0068000	POST, MINI TREE	REF
15	2109500R/L	ANGLE, BOX END GUIDE	REF
100	0206400	BUSHING	2
101	1501500	WASHER	6
102	8007200	1/4-20NC HEX HD CAP SCR X 1 1/2	2
103	8002700	1/4-20NC SCKT FLT HD SCR X 3/4	8
104	8009000	5/16-18NC HEX HD CAP SCR X 2 3/4	2
105	8035800	5/16 SAE FLT WASHER	2
106	0204300	BUSHING	2
107	8036700	5/16 STD LOCK WASHER	2
108	8024400	5/16 STD HEX NUT	2
109	8004300	#10-32NF SCKT FLT HD SCR X 1 1/2	8
110	8007100	1/4-20NC HEX HD CAP SCR X 1 1/4	4
111	0205400	BUSHING	8
112	1200200	SPRING	8
113	8025300	#10-32NF FIBER LOCK NUT	16
114	8035600	#10 SAE FLT WASHER	8
115	8003900	#10-32NF SCKT FLT HD SCR X 1/2	12
116	8004200	#10-32NF SCKT FLT HD SCR X 1	4
117	1200100R/L	SPRING	1/1
118	8008200	5/16-18NC HEX HD CAP SCR X 3/4	2
119	1501100	WASHER	2

Option Parts & Illustrations



Bliss Box Former



Option Parts & Illustrations

Bliss Box Former



Option Parts & Illustrations

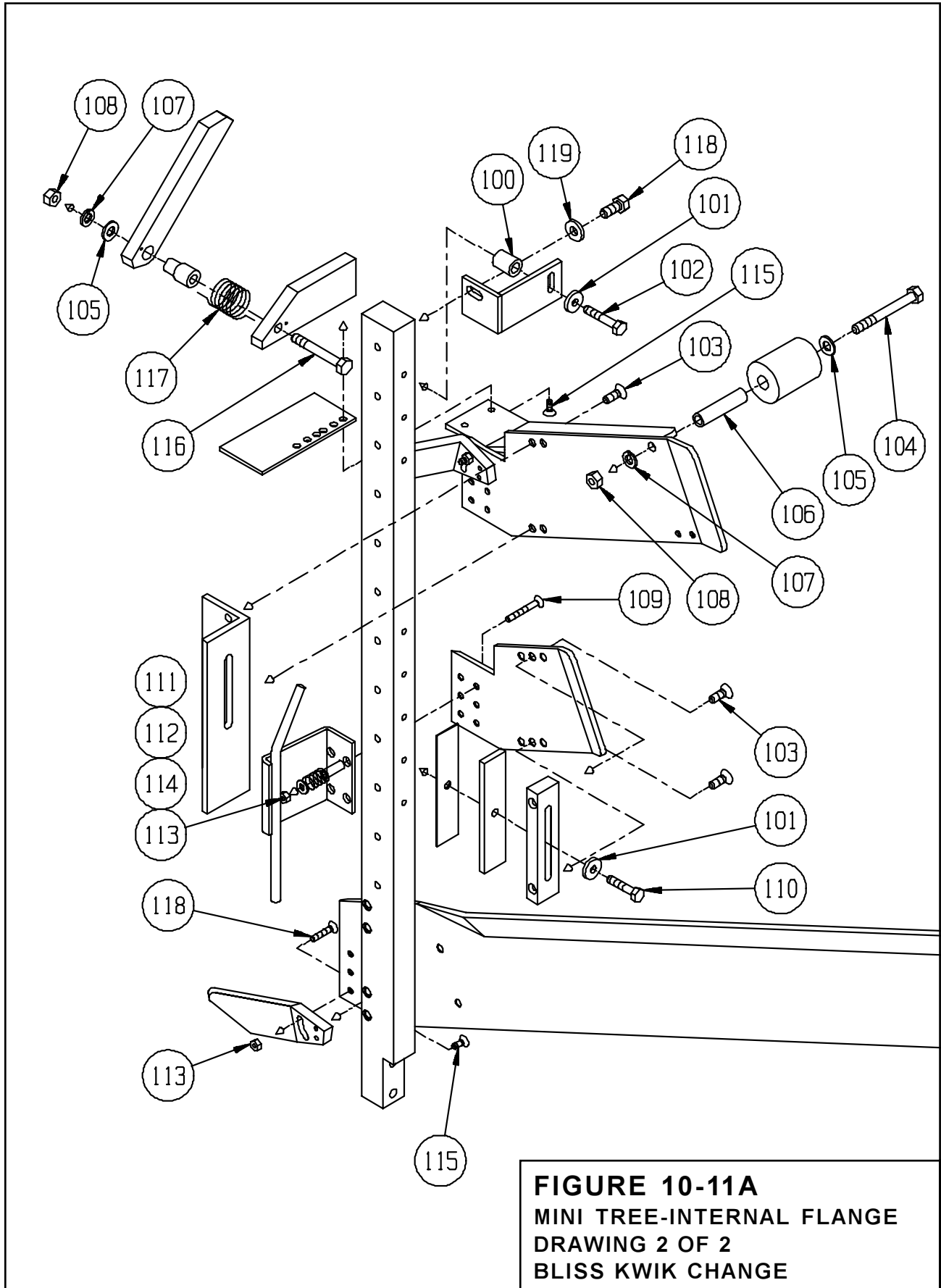
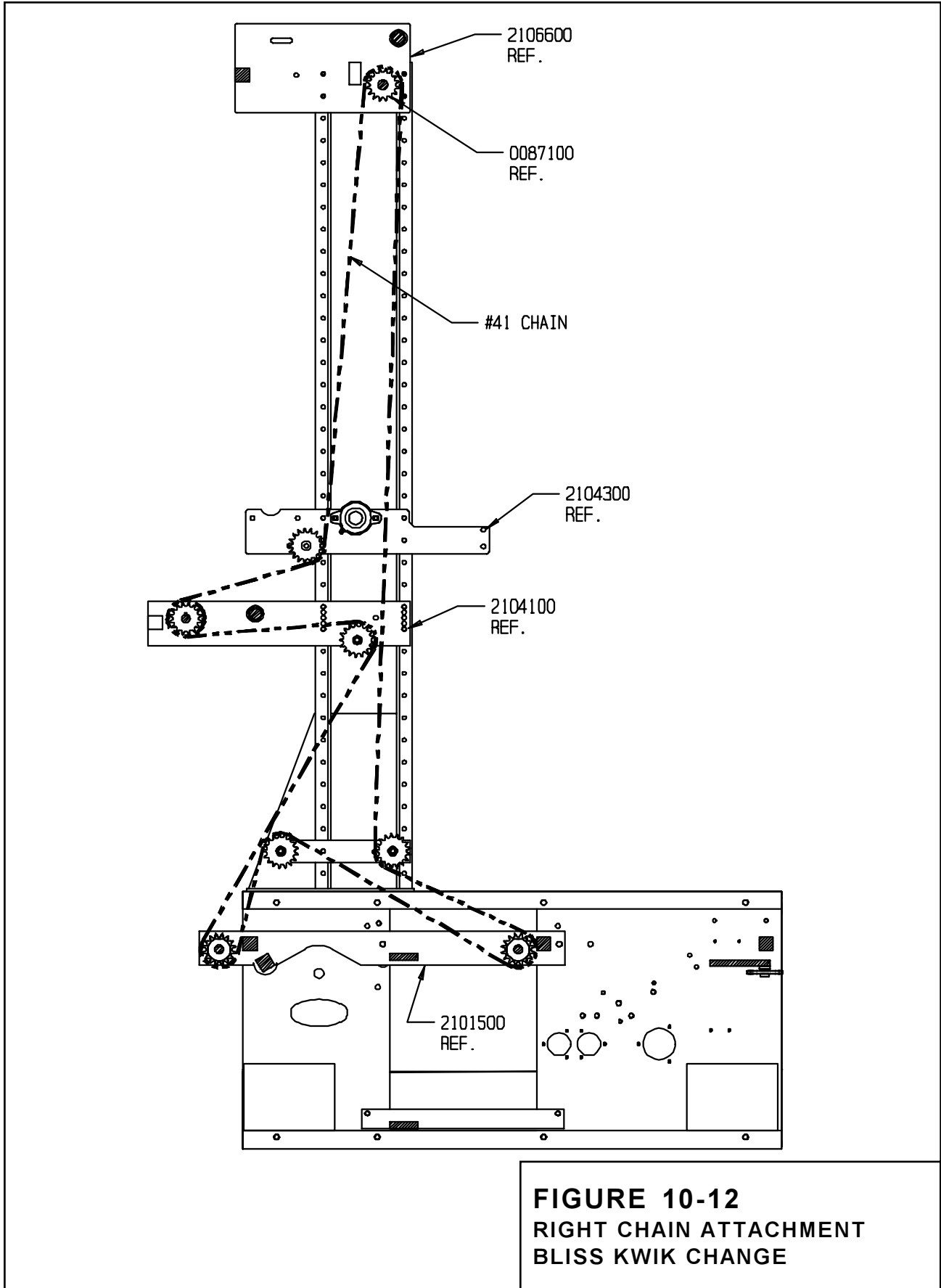


FIGURE 10-11A
MINI TREE-INTERNAL FLANGE
DRAWING 2 OF 2
BLISS KWIK CHANGE



Bliss Box Former

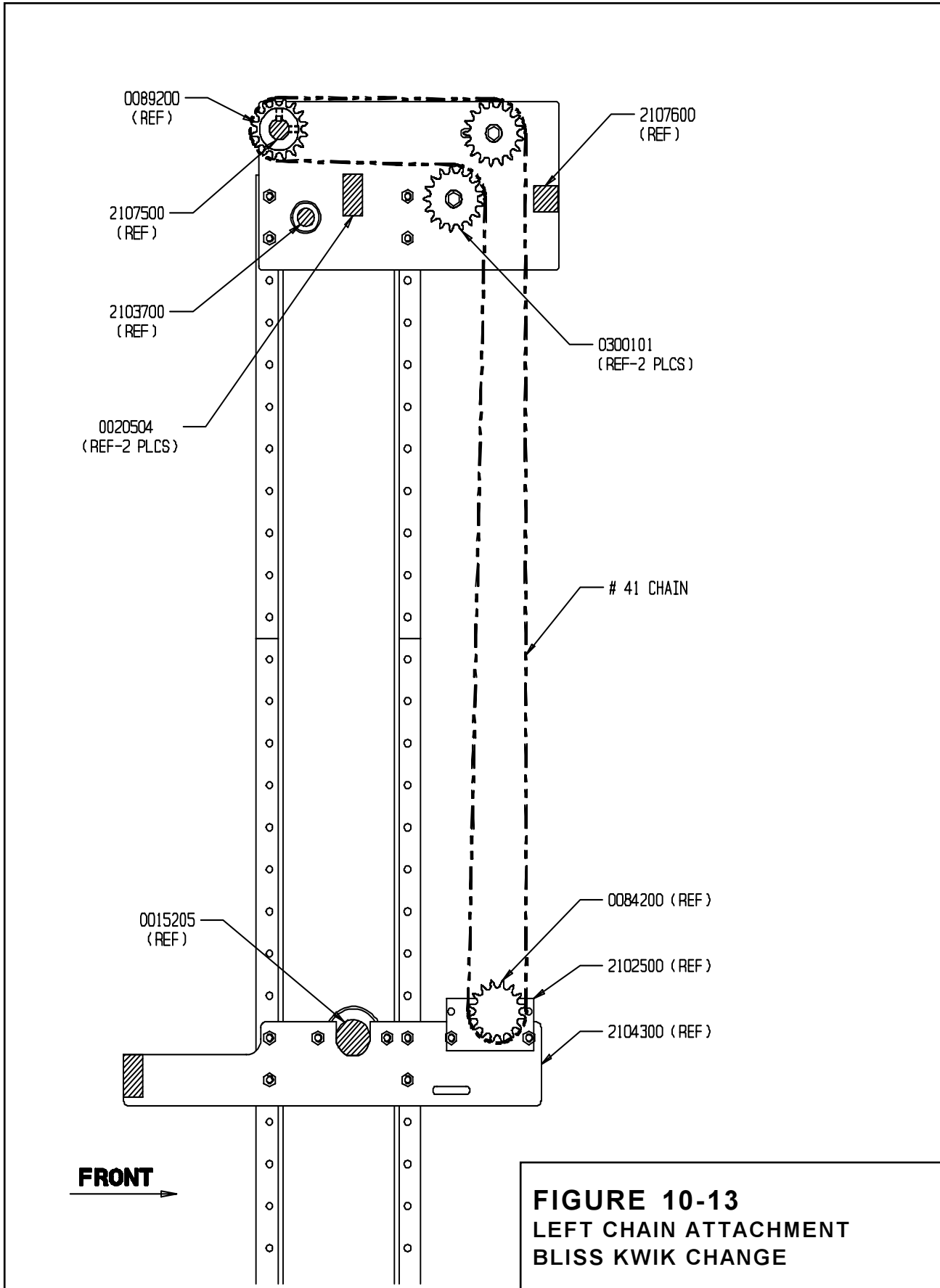


Option Parts & Illustrations

Bliss Box Former



Option Parts & Illustrations





Bliss Box Former

Option Parts & Illustrations

Bliss Box Former



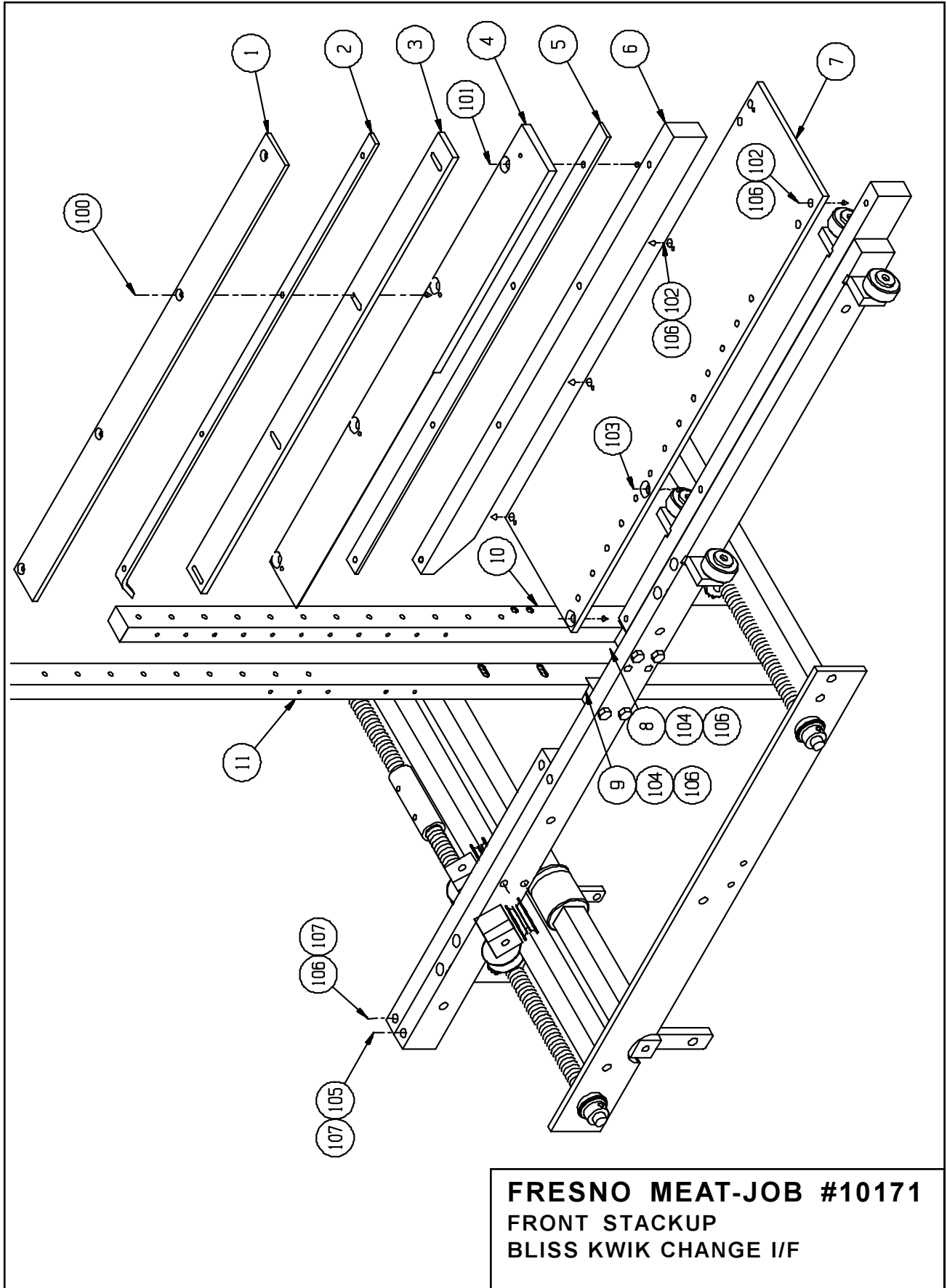
FRESNO MEAT-JOB #10171
FRONT STACKUP
BLISS KWIK CHANGE I/F

ITEM	PART NO.	DESCRIPTION	QTY.
1	0012400	STRIP, MANDREL CAP	2
2	0031201R/L	SHIM, GUIDE CAP	1/1
3	0012300	RAIL, MANDREL GUIDE	2
4	0025300	BASE, PLUNGER GUIDE	2
5	0025502	SPACER	2
6	0068200	BAR, SPACER	2
7	9150116R/L	PLATE, MANDREL SUPPORT	1/1
8	0029103	SPACER, MATT GUIDE-7/8"	2
9	0029100	SPACER, 1/4"	4
10	0068000	POST, MINI TREE	2
11	9150124	BAR, GUIDE SUPPORT	2
100	8002900	1/4-20 SCKT FLT HD SCR X 1 1/4	8
101	8005800	3/8-16 SCKT FLT HD SCR X 2	8
102	8010000	3/8-16 HEX HD CAP SCR X 1	2
103	8004800	3/8-16 SCKT FLT HD SCR X 1	8
104	8010700	3/8-16 HEX HD CAP SCR X 2 3/4	8
105	8013000	7/16-14 HEX HD CAP SCR X 4 1/2	4
106	8013400	7/16-14 HEX HD CAP SCR X 5 1/4	4
107	8036800	3/8 STD LOCK WASHER	16
108	8036900	7/16 STD LOCK WSHER	8

Option Parts & Illustrations



Bliss Box Former



Option Parts & Illustrations

Bliss Box Former



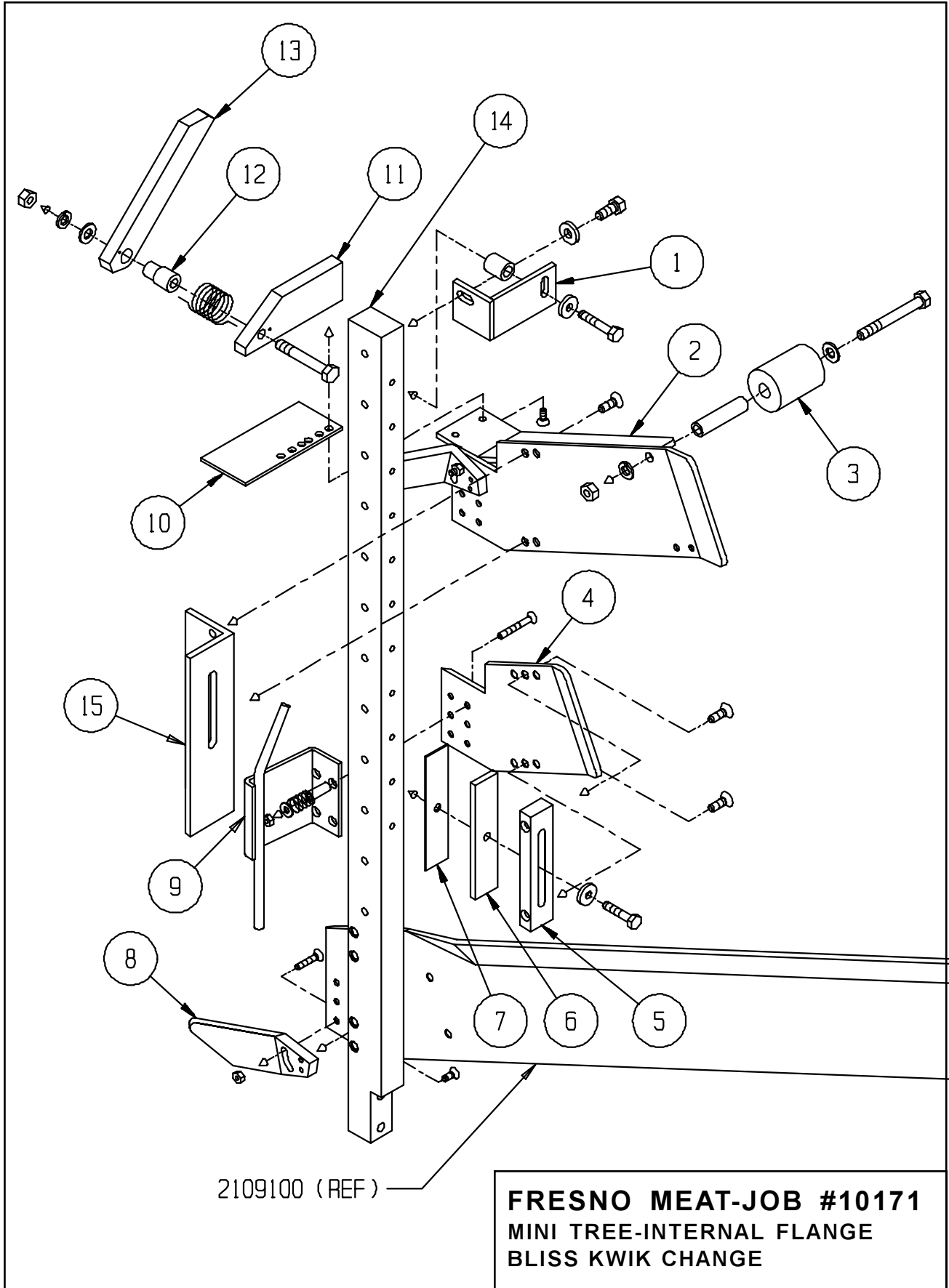
FRESNO MEAT-JOB #10171 MINI TREE-INTERNAL FLANGE BLISS KWIK CHANGE

ITEM	PART NO.	DESCRIPTION	QTY.
1	9150118R/L	BRACKET, MINI TREE	1/1
2	0013401R/L	WELDMENT, BOX END GUIDE	1/1
3	0022401	ROLLER, END HOPPER	2
4	0013404R/L	GUIDE, BOX END	1/1
5	0034200	BAR, HEAD GUIDE MOUNTING	4
6	0029300	SHIM, 1/4"	4
7	0022900	SHIM, 16 GAGE	4
8	9150117R/L	PLOW	2/2
9	9150118R/L	DEFLECTOR BRACKET	1/1
10	0042901	PLATE, BLANK DEFLECTOR BASE	2
11	0025902	DEFLECTOR, MATT	2
12	0042800	AXLE, BLANK DEFLECTOR	2
13	0042700	DEFLECTOR, BLANK GUIDE	2
14	0068000	POST, MINI TREE	REF
15	2109500R/L	ANGLE, BOX END GUIDE	REF
100	0206400	BUSHING	2
101	1501500	WASHER	6
102	8007200	1/4-20NC HEX HD CAP SCR X 1 1/2	2
103	8002700	1/4-20NC SCKT FLT HD SCR X 3/4	8
104	8009000	5/16-18NC HEX HD CAP SCR X 2 3/4	2
105	8035800	5/16 SAE FLT WASHER	2
106	0204300	BUSHING	2
107	8036700	5/16 STD LOCK WASHER	2
108	8024400	5/16 STD HEX NUT	2
109	8004300	#10-32NF SCKT FLT HD SCR X 1 1/2	8
110	8007100	1/4-20NC HEX HD CAP SCR X 1 1/4	4
111	0205400	BUSHING	8
112	1200200	SPRING	8
113	8025300	#10-32NF FIBER LOCK NUT	16
114	8035600	#10 SAE FLT WASHER	8
115	8003900	#10-32NF SCKT FLT HD SCR X 1/2	12
116	8004200	#10-32NF SCKT FLT HD SCR X 1	4
117	1200100R/L	SPRING	1/1
118	8008200	5/16-18NC HEX HD CAP SCR X 3/4	2
119	1501100	WASHER	2

Option Parts & Illustrations



Bliss Box Former



Option Parts & Illustrations