

Bliss Box Former

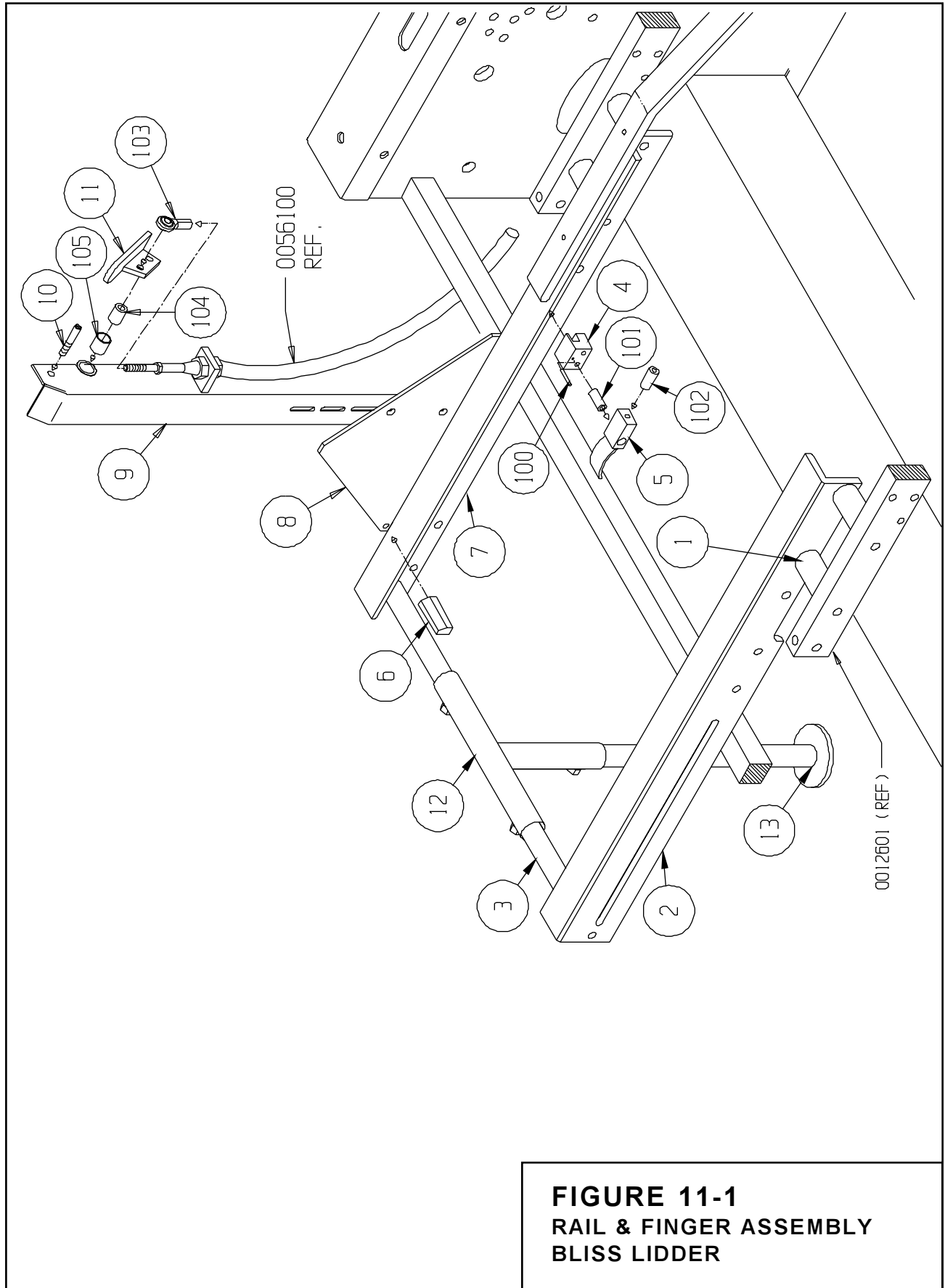


FIGURE 11-1
RAIL & FINGER ASSEMBLY
BLISS LIDDER

ITEM	PART NO.	DESCRIPTION	QTY.
1	0040200	SPACER, LIDDER RAIL	4
2	0033804	LEFT RAIL, LIDDER HOPPER	1
3	0033700	SHAFT, HOPPER BRACE	2
4	0048700	MOUNT, LOWER FINGER	1
5	0048800	FINGER, LOWER	1
6	0035100	STOP, BOX TUMBLER	1
7	0033805	RIGHT RAIL, LIDDER HOPPER	1
8	0033400	PLATE, LIDDER GUIDE	1
9	0062300	MOUNT, LIDDER BRACKET	1
10	0028401	STUD, BRAKE SHOE	1
11	0055400	FINGER, CLAMPING	1
12	0061800	SUPPORT, LIDDER	1
13	0061300	SUPPORT PAD, LIDDER	1
100		1/8 DIA. ROLL PIN	1
101	0204800	BUSHING	1
102	0205100	BUSHING	1
103	1501002	5/16 ROD END	1
104	0206000	BUSHING	1
105	0202200	BUSHING, BRONZE	1



Bliss Box Former



Option Parts & Illustrations

Bliss Box Former

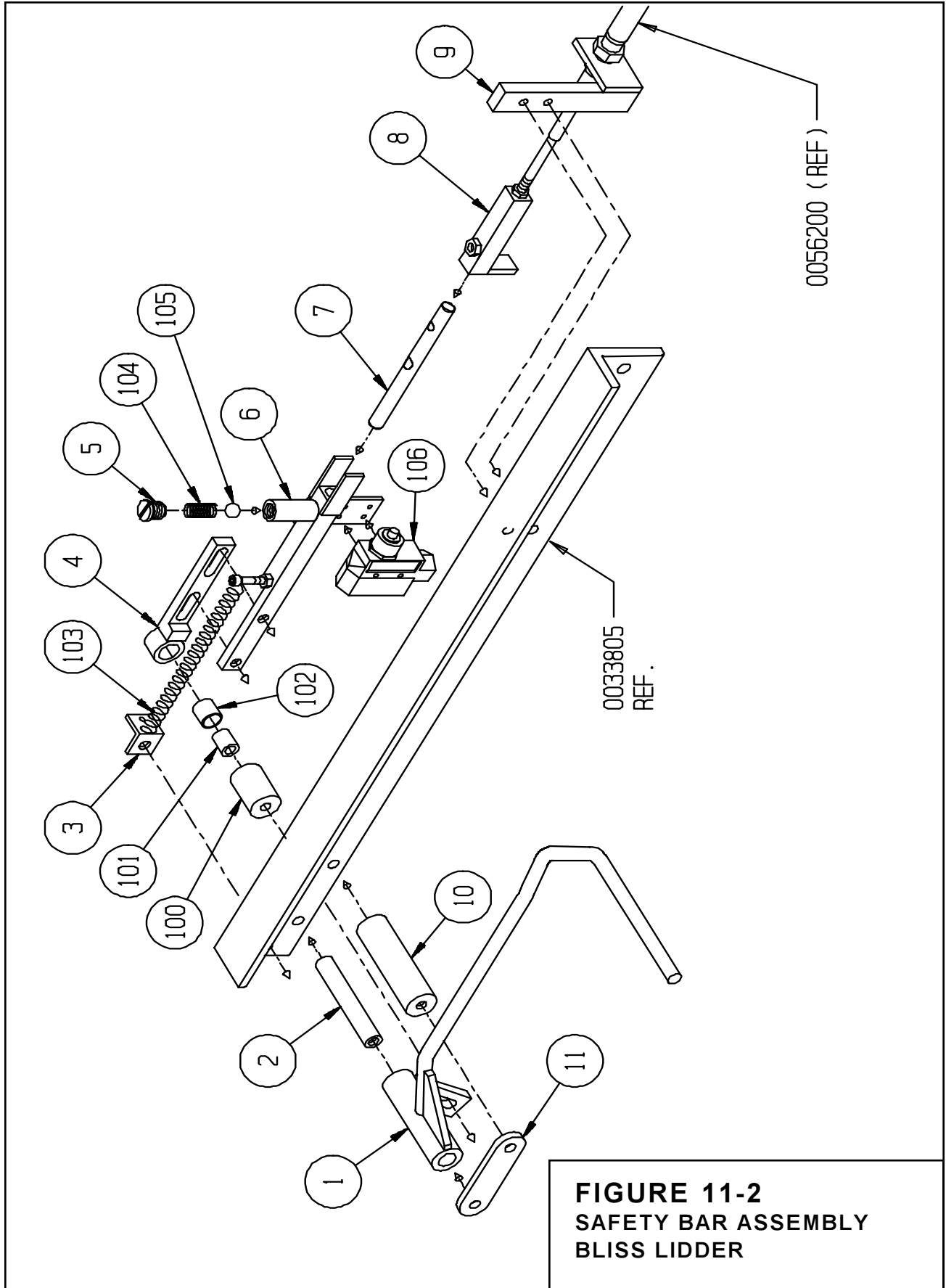


FIGURE 11-2
SAFETY BAR ASSEMBLY
BLISS LIDDER

ITEM	PART NO.	DESCRIPTION	QTY.
1	0039404	ARM, BOX TUMBLER	1
2	0035000	PIN, BOX TUMBLER ARM	1
3	0039400	BRACKET, SPRING RETURN	1
4	0039900	END ADJ BRACKET, LIDDER	1
5	0010401	PLUG, DETENT SPRING	1
6	0016203	BAR, LIDDER SAFETY	1
7	0016000	ROD, FEED LINKAGE	1
8	0061100	KICKER, SAFETY LIDDER	1
9	0061600	BRACKET, KICKER CABLE	
10	0051600	SPACER, TUMBLER	1
11	0051500	BAR, TUMBLER	1
100	0209500	BUSHING	1
101	0206400	BUSHING	1
102	0202200	BUSHING, BRONZE	1
103	1202700	SPRING, LIDDER	1
104	1201200	SPRING, BALL DETENT	1
105	0010301	BALL, DETENT SAFETY	1
106	0400202	MICRO SAFETY SWITCH	1



Bliss Box Former



Bliss Box Former

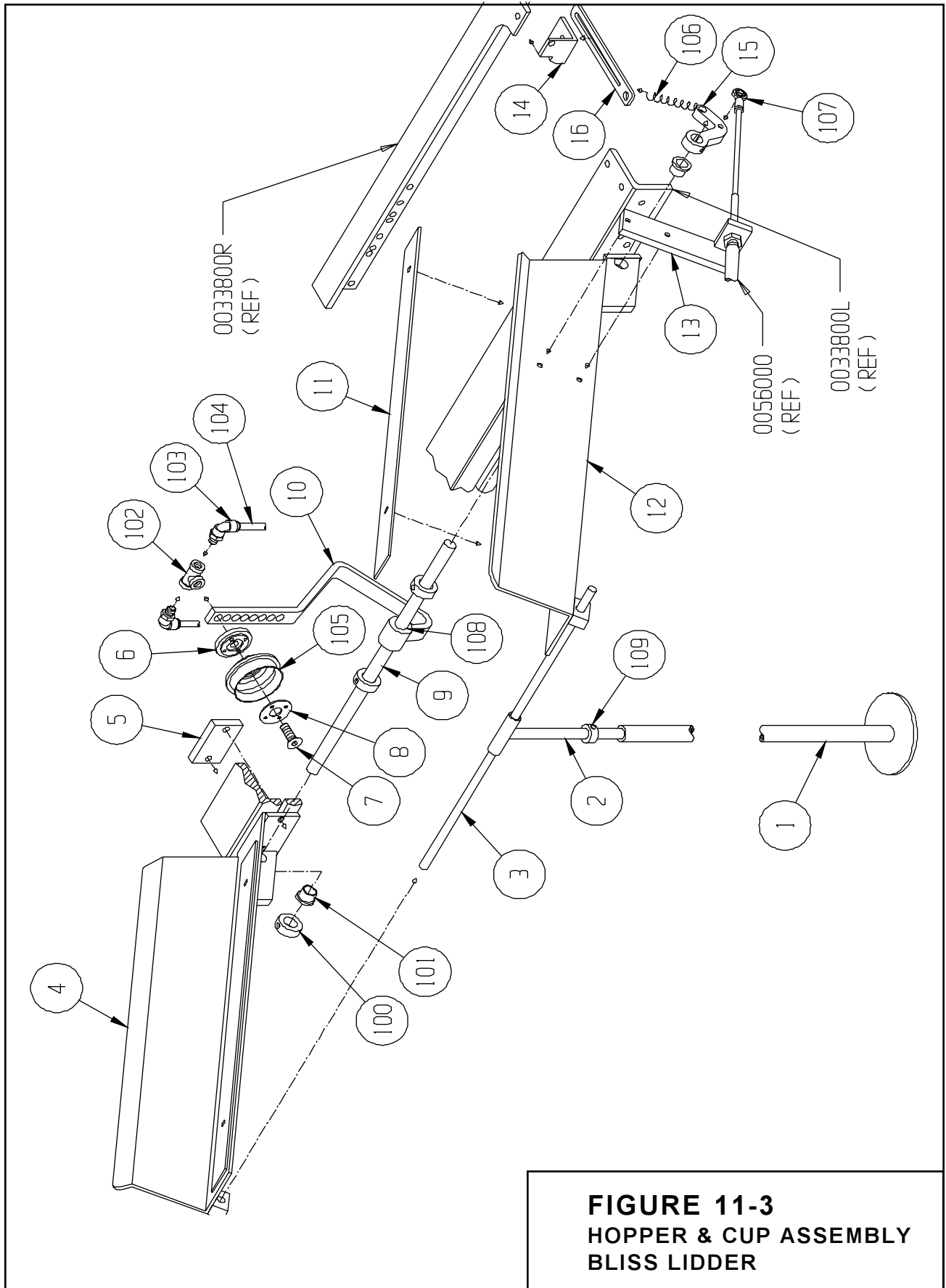


FIGURE 11-3
HOPPER & CUP ASSEMBLY
BLISS LIDDER

ITEM	PART NO.	DESCRIPTION	QTY.
1	0037601	BRACE-LID HOPPER	1
2	0037700	SUPPORT-LONG END HOPPER	1
3	0020800	ROD, END HOPPER SPREADER	1
4	0032300	LEFT RAIL, LID HOPPER SIDE	1
5	0034300	PLATE, RAIL HOPPER CLAMP	1
6	0041500	PLATE, BACKING CUP	1
7	0039100	SCREW, VACUUM	1
8	0041501	WASHER, RETAINER	1
9	0034400	SHAFT, LIDDER SUCTION CUP	1
10	0035200	ARM, SUCTION CUP MTG	1
11	0037400	SHIM, LIDDER HOPPER	2
12	0032301	RIGHT RAIL, LID HOPPER SIDE	1
13	0062700	MOUNT, CUP CABLE LIDDER	1
14	0076700	BRACKET, SPRING MOUNT	1
15	0034500	ARM, LID OPEN CON ROD	1
16	0041800	MOUNT, SPRING ADJUSTING	1
100	0100500	SET COLLAR, 3/4"	3
101	0208700	BUSHING, BRONZE	2
102	1808700	TEE, 1/4" STD GAL	1
103	1804000	90 DEGREE ELBOW	2
104	0037300	3/8 POLY FLOW TUBING	1
105	0041601	VACUUM CUP, PIAB	1
106	1201900	SPRING	1
107	1501002	5/16 ROD END	1
108	0900205	3/16 SQUARE KEY	1



Bliss Box Former



Option Parts & Illustrations

Bliss Box Former



FIGURE 11-4
HOPPER WEIGHT ASSEMBLY
BLISS LIDDER

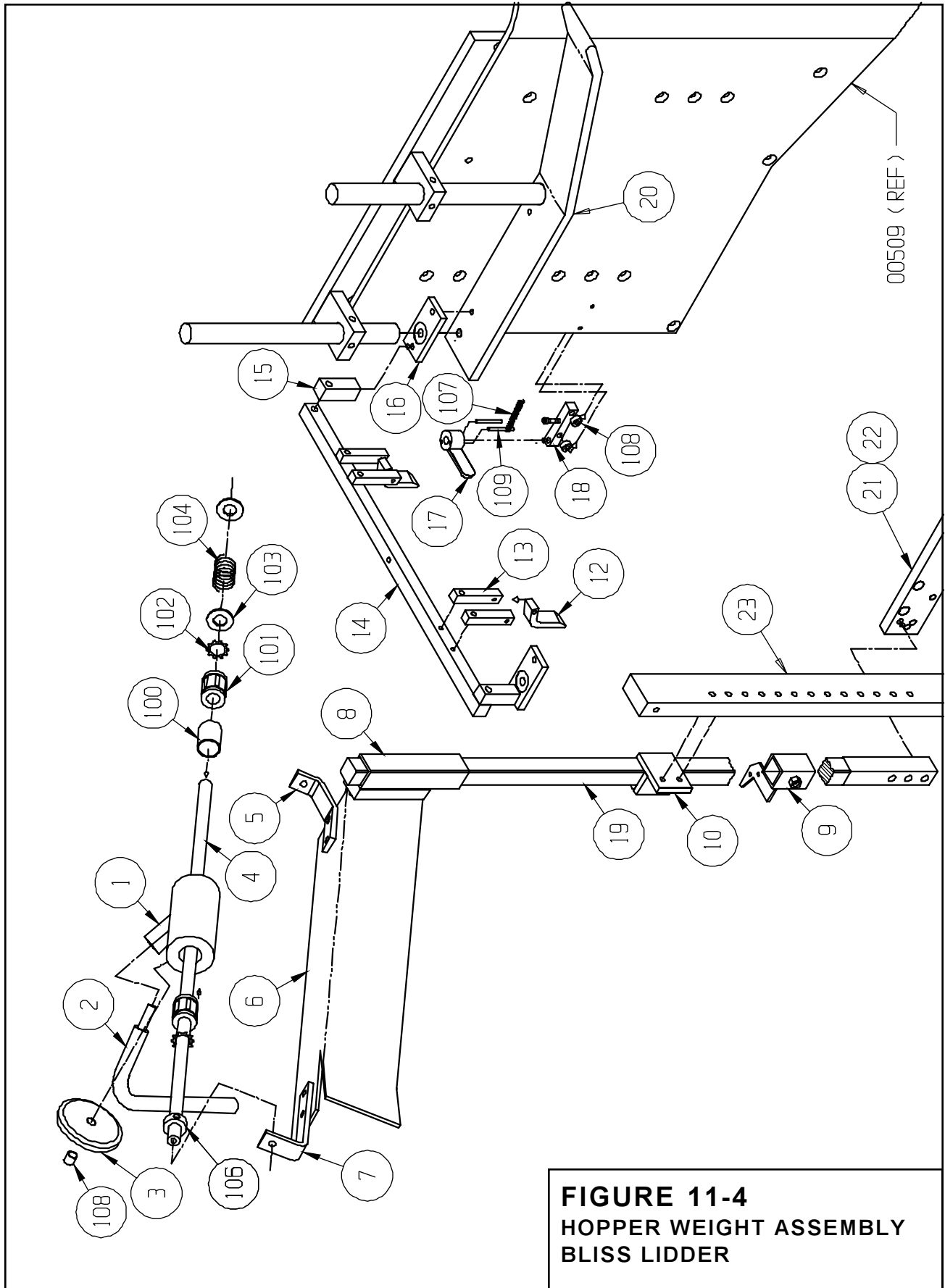
ITEM	PART NO.	DESCRIPTION	QTY.
1	0026501	WEIGHT, END HOPPER	1
2	0063100	FINGER, BOX LIDDER PUSHER	1
3	0036100	ROLLER, WEIGHT LIDDER	1
4	0026602	ROD, LOWER WEIGHT LIDDER	1
5	0062900	MOUNT, WEIGHT LIDDER	1
6	0032400	GUIDE, LID HOPPER	1
7	0063000	MOUNT, UPPER WEIGHT LIDDER	1
8	0032601	BRACKET, HOPPER GUIDE	1
9	0033300	FINGER, LID FLAP OPENER	1
10	0055200	BRACKET, HOPPER SUPPORT	1
12	0035900	FINGER, UPPER LID OPENING	2
13	0035800	BEARING, LID FINGER	4
14	0075302	BAR, UPPER SHOE FINGER	1
15	0052500	POST, UPPER SHOE	2
16	0052400	PLATE, UPPER SHOE	2
17	0033602	FINGER, LID OPENER	1
18	0036000	BRACKET, LID FINGER MOUNT	1
19	0032700	BAR, LID HOPPER GUIDE MTG	1
20	0063401	SHOE, UPPER BOX FORMING	2
21	9077000	BAR, LOWER MOUNT	1
*22	9077200	BAR, UPPER MOUNT	1
100	0207200	BUSHING	1
101	0047101	BEARING	2
102	0047201	RETAINER	2
103		5/8 SAE FLAT WASHER	2
104	1202600	SPRING	1
106	0100400	5/8 SET COLLAR	1
107	1201501	SPRING	1
108	0200900	BUSHING	2
109		5/32 DIA. ROLL PIN	2
110	0209900	BUSHING	1

* Not Shown

Option Parts & Illustrations



Bliss Box Former



Option Parts & Illustrations

Bliss Box Former



FIGURE 11-5
CAM-LEVER ASSEMBLY
KICKER/FINGER CABLES
BLISS LIDDER

ITEM	PART NO.	DESCRIPTION	QTY.
1	0061000	LEVER, CABLE PULL	2
2	0062100	CAM, FINGER CABLE	1
3	0040100	CABLE BRACKET, AUTO LIDDER	1
4	0061501	BAR, LOWER MOUNT	1
5	0012801	CLAMP	2
6	0062000	CAM, KICKER CABLE	1
100	0500700	CAM FOLLOWER, 1 3/8	2
101	0209200	BUSHING, SLEEVE	2
102	0074300	BUSHING, LEVER	2
103	0056100	5/16 CABLE, FINGER CLAMP (2-90)	1
104	0056200	5/16 CABLE, KICKER (2-60)	1
105	1500600	WASHER	2
106	1501002	5/16 ROD END	2
107	1202700	SPRING	2



Bliss Box Former

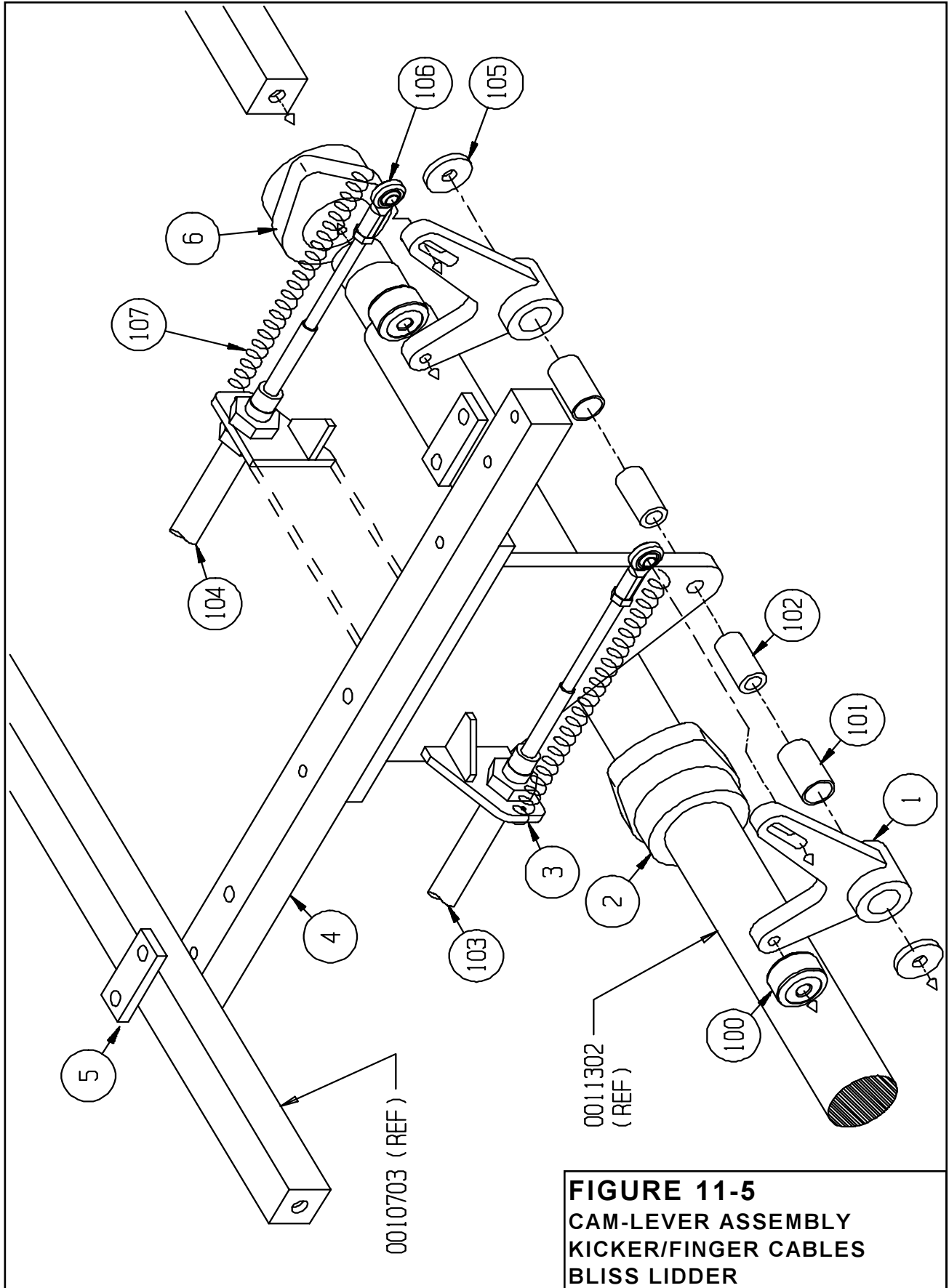


FIGURE 11-5
CAM-LEVER ASSEMBLY
KICKER/FINGER CABLES
BLISS LIDER

Option Parts & Illustrations

Bliss Box Former

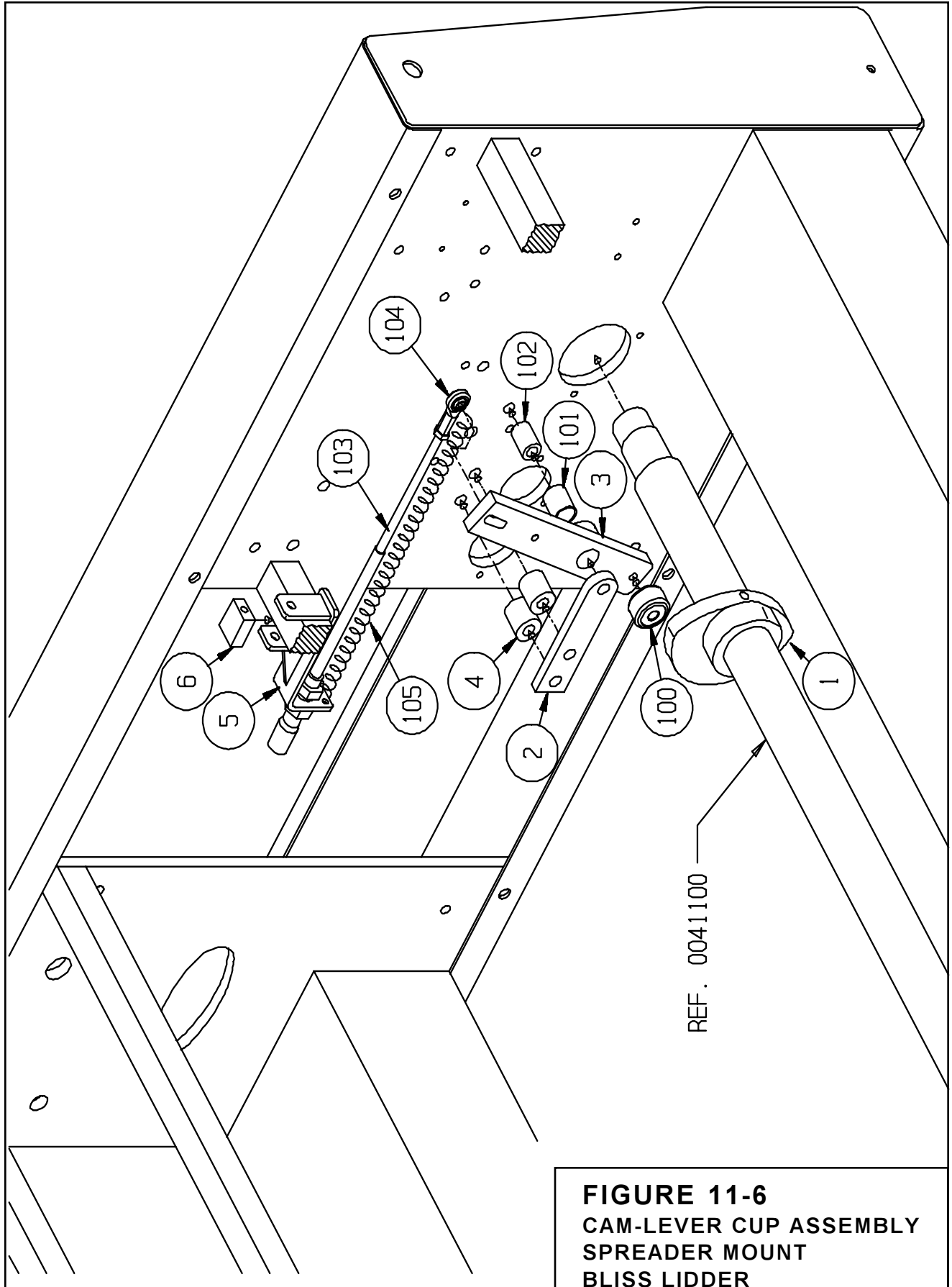


FIGURE 11-6
CAM-LEVER CUP ASSEMBLY
SPREADER MOUNT
BLISS LIDDER

ITEM	PART NO.	DESCRIPTION	QTY.
1	0062200	CAM, CUP CABLE LIDDER	1
2	0040900	STRAP, PICK LEVER	1
3	0060900	LINKAGE, CAM ARM LIDDER	1
4	0040801	BLOCK, MATT PICK STRIP	2
5	0079201	BRACKET, CABLE	1
6	0079901	BLOCK, BOLTING	1
100	0500700	CAM FOLLOWER, 1 3/8	1
101	0200100	BUSHING, BRONZE	1
102	0203000	BUSHING	1
103	0056000	5/16 CABLE, LIDDER CUP (5-120)	1
104	1501002	5/16 ROD END	1
105	1202700	SPRING	1



Bliss Box Former



Option Parts & Illustrations

Bliss Box Former

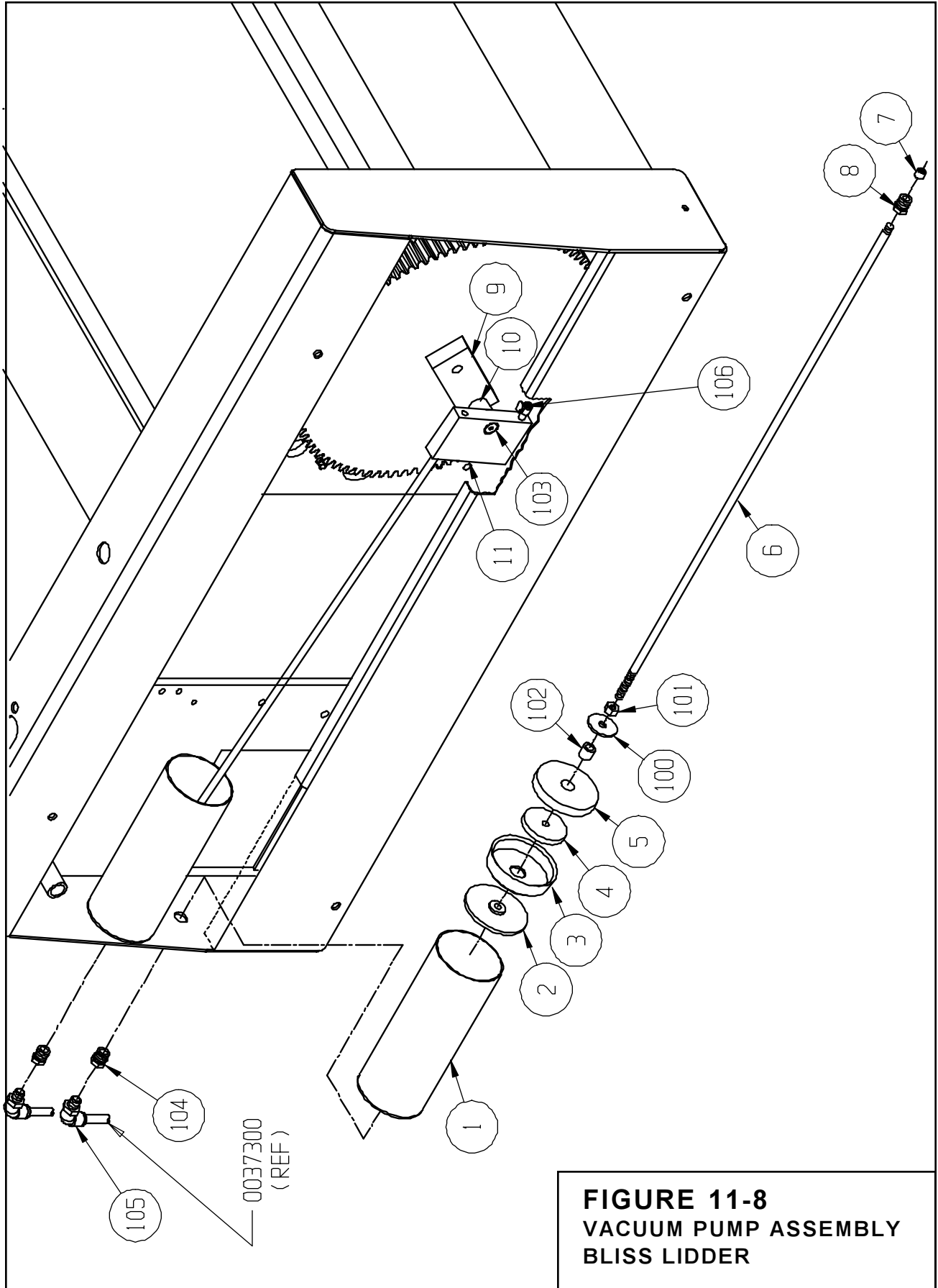


FIGURE 11-8
VACUUM PUMP ASSEMBLY
BLISS LIDDER

ITEM	PART NO.	DESCRIPTION	QTY.
1	0036300	CYLINDER, VACUUM LIDDER	2
2	0036400	PLATE, RUBBER CUP MTG	2
3	0036500	CUP, VACUUM CYLINDER	2
4	0036600	WASHER, CUP CLAMP	2
5	0037200	FELT, WASHER VACUUM CUP	2
6	0036700	ROD, CON SUCTION CUP	2
7	0036800	NUT, CUP CON ROD	2
8	0036900	SLEEVE	2
9	0037100	CRANK, SUCTION CUP	1
10	0037000	PIN, SUCTION CUP CRANK	1
11	0040300	BLOCK, SUCTION CUP	1
100	1500800	WASHER	2
101	8023200	3/8-24 STD HEX HD NUT	2
102	0200800	BUSHING	2
103	0202200	BUSHING, BRONZE	1
104	1808800	BUSHING, THREADED	2
105	1804000	90 DEGREE ELBOW	2
106	1808100	5/16 OIL CUP	1



Bliss Box Former



W. E. Plemons Machinery Services, Inc.

Option Parts & Illustrations