

Bliss Box Former



FIGURE 22-1
COMPRESSION ASSEMBLY
BLISS ROL

ITEM	PART NO.	DESCRIPTION	QTY.
1	9079900	FOLDER, FLAP	1
2	9081900	ROD, FLAP FOLDER	1
3	9081700	ROLLER, OUTER	2
4	9081800	ROLLER, INNER	1
5	9079700	BASE, FLAP FOLDER	1
6	9079500	PLATE, BASE	2
7	9079200R/L	BAR, ROL GEARS	1/1
8	9079600	BLOCK	4
9	9080700R/L	PLATE, COMPRESSION	1/1
10	9081500	BAR	2
11	0084600	SPACER, COMPRESSION SUPPORT	3
12	9079400	PLATE, GEAR MOUNTING	1
13	9079300	BRACKET, ROL	1
14	9078500R/L	BRACKET, CABLE STOP MOUNT	1/1
15	9078600R/L	STOP, ROL	1/1
16	0092400	FLAP, VERTICLE	2
17	9081600	SHAFT, ROTATION	1
18	0029501	GEAR, PINION	1
19	0096800	GEAR, DRIVE	1
100	0201400	BUSHING	2
101	0501200	FLANGED BEARING, 1"	2
102	0100300	SET COLLAR, 1/2"	2
103	0100500	SET COLLAR, 3/4"	4
104	0501300	BEARING	1
105	1803900	CLIP RING	1
106	1500500	WASHER	2

Option Parts & Illustrations



Bliss Box Former

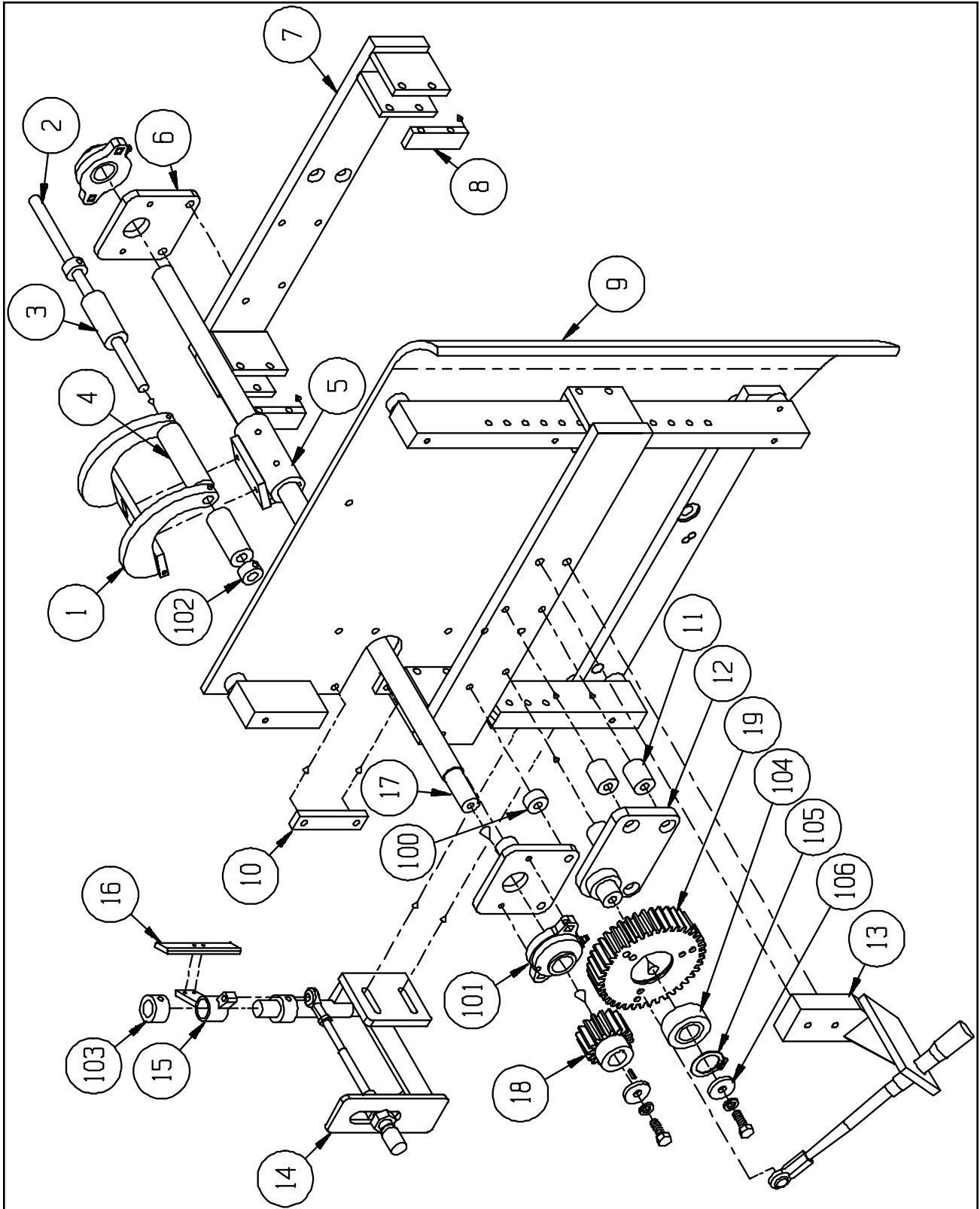


FIGURE 22-1
COMPRESSION ASSEMBLY
BLISS ROL

Option Parts & Illustrations

Bliss Box Former

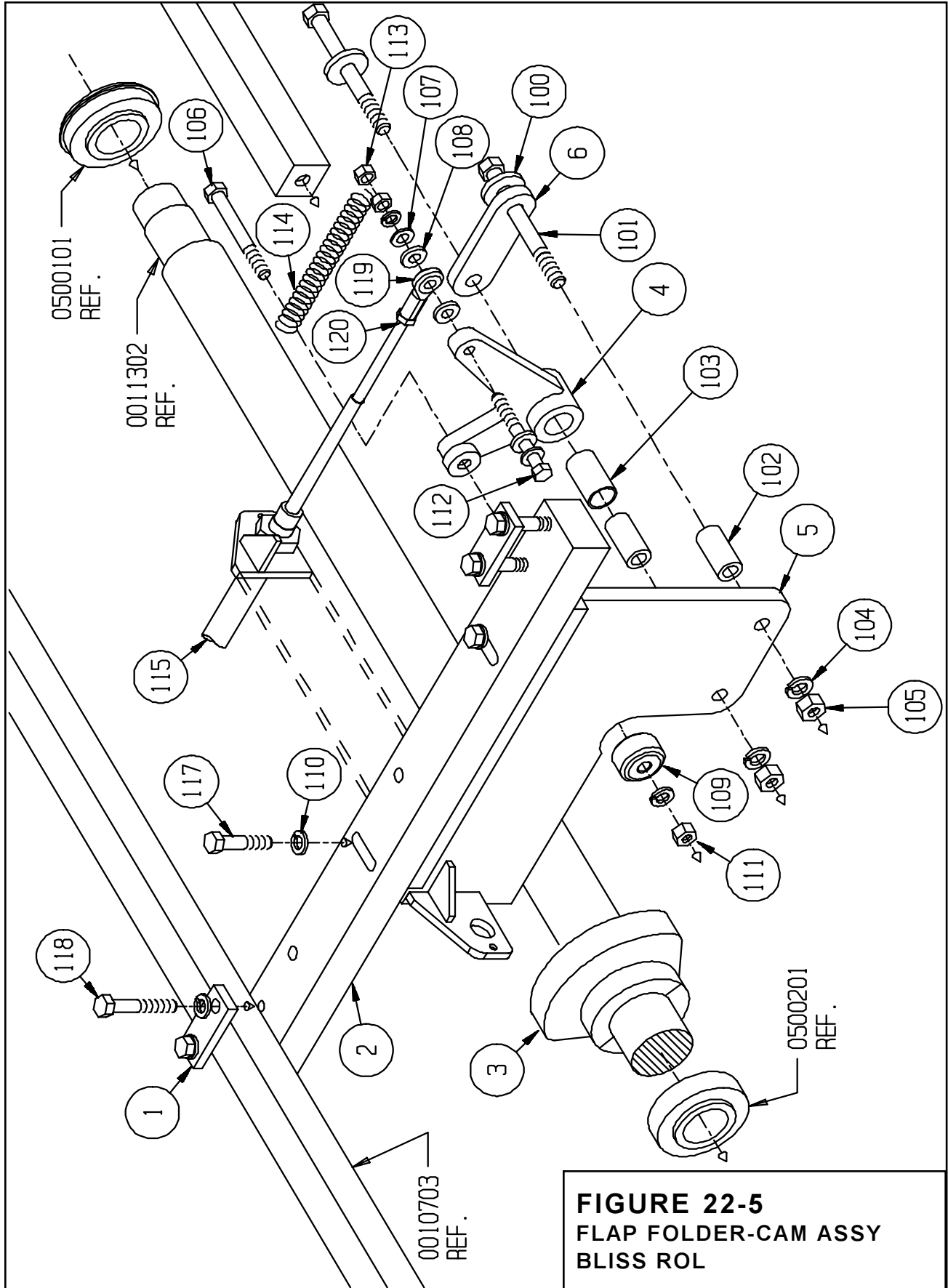


FIGURE 22-5
FLAP FOLDER CAM ASSY-BLISS ROL

ITEM	PART NO.	DESCRIPTION	QTY.
1	0012801	CLAMP	2
2	9082200	BAR, LOWER MOUNT	1
3	9080100	CAM	1
4	0099000	LEVER, CABLE PULL	1
5	9083400	BRACKET, LEVER	1
6	0051501	BAR, TUMBLER	2
100	1500600	WASHER	2
101		7/16-14 HEX HD CAP SCR X 3	2
102	0209200	BEARING, SLEEVE	2
103	0074300	BUSHING, LEVER	1
104		7/16 SAE LOCK WASHER	2
105		7/16-14 STD HEX NUT	2
106		3/8-16 HEX HD CAP SCR X 2 1/4	1
107		3/8 SAE FLAT WASHER	2
108	1500101	WASHER	3
109	0500700	BEARING	1
110		3/8 STD LOCK WASHER	8
111		3/8-16 HEX HD NUT	2
112		3/8-16 HEX HD CAP SCR X 2 1/2	1
113		3/8-16 FIBER LOCK NUT	1
114	1202700	SPRING	1
116	9084400	3/8 CABLE, 2-120	1
117		3/8-16 HEX HD CAP SCR X 1 3/4	2
118		3/8-16 HEX HD CAP SCR X 3 1/4	4
119	0501001	3/8 ROD END	2
120		3/8-24 HEX HD NUT	2



Bliss Box Former



Option Parts & Illustrations

Bliss Box Former



FIGURE 22-7
SUPPORT SHOE-ROL
BLISS COMPRESSION

ITEM	PART NO.	DESCRIPTION	QTY.
1	0026801	SHOE, DEFLECTOR	2
2	9082700	PLATE, ANTI-TELESCOPING	2
3	9086000R/L	UPPER BOX FORMING SHOE-1 1/2"	1/1
4	0018705R/L	LOWER BOX FORMING SHOE-3"	1/1
5	9085800	MOUNT, SKATE WHEEL	2
6	9085900R/L	ANGLE, SKATE WHEEL MOUNT	1/1
100		5/16 NC HEX HD CAP SCR X 3/4	4
101		5/16 STD LOCK WASHER	12
102		5/16 SAE FLT WASHER	4
103		1/4 NC SCKT FLT HD SCR X 1 1/2	4
104	0202300	BUSHING	4
105		1/4 STD LOCK WASHER	4
106		1/4 NC STD HEX NUT	4
107		5/16 NC HEX HD CAP SCR X 2 1/2	4
108	0500300	WHEEL, SKATE	4
109		1/4 STD LOCK WASHER	4
110		1/4 NC HEX HD CAP SCR X 1 1/2	4
111		5/16 NC SCKT FLT HD SCR X 3/4	4



Bliss Box Former

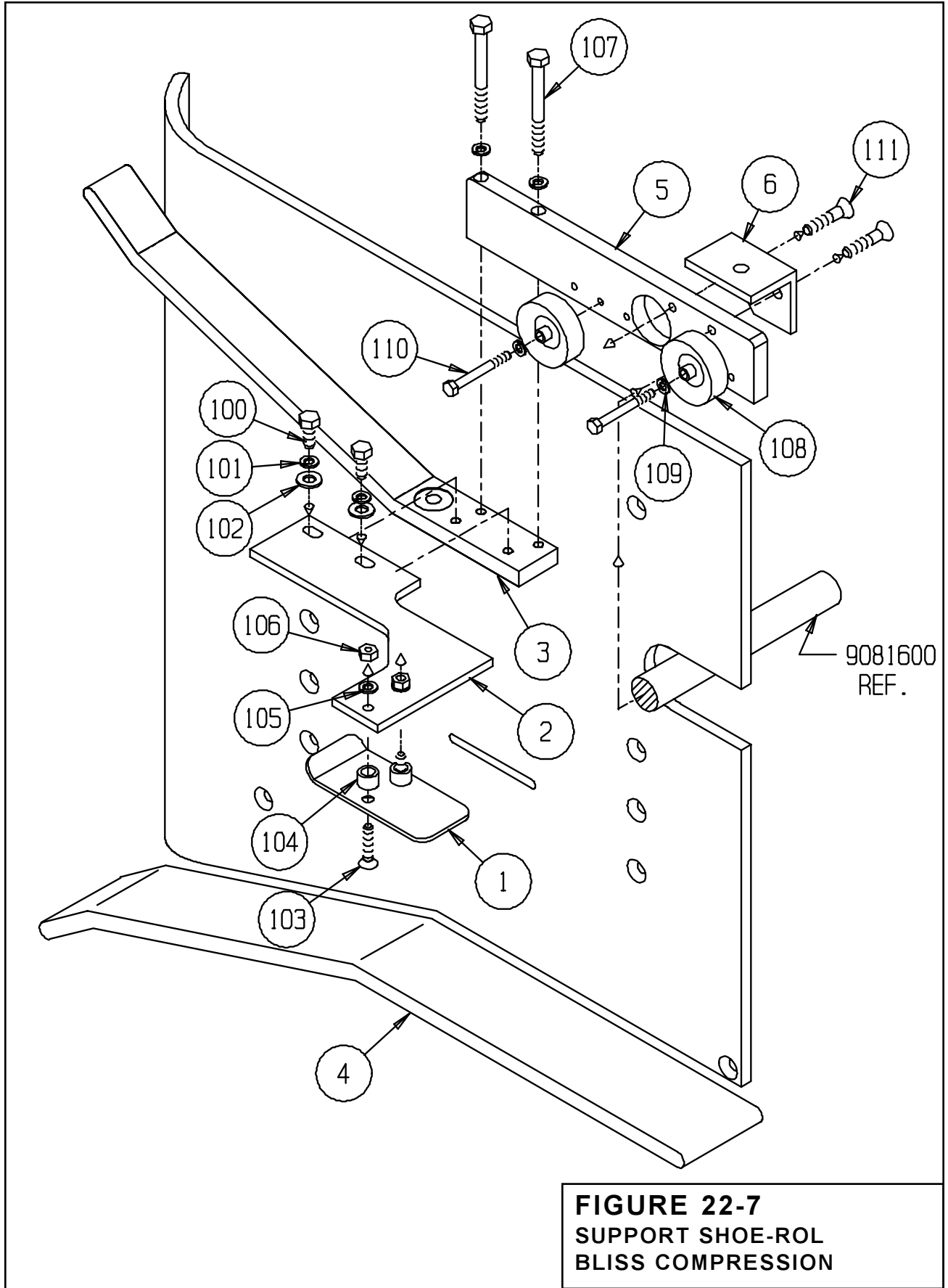


FIGURE 22-7
SUPPORT SHOE-ROL
BLISS COMPRESSION

Option Parts & Illustrations

Bliss Box Former

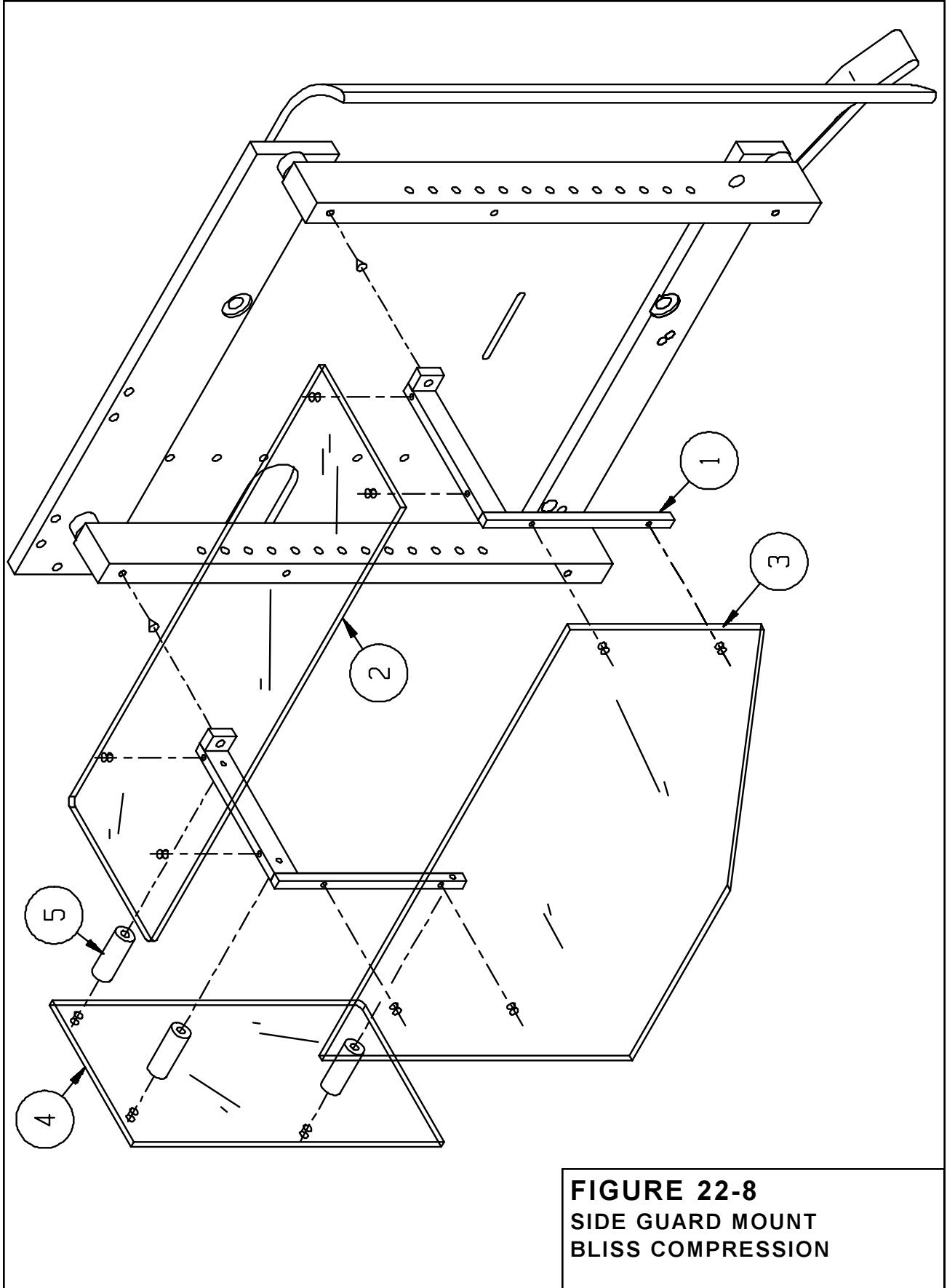


FIGURE 22-8
SIDE GUARD MOUNT
BLISS COMPRESSION

ITEM	PART NO.	DESCRIPTION	QTY.
1	9083900	BRACKET, GEAR MOUNT	2
2	9084000	TOP PANEL	1
3	9084100	SIDE PANEL	1
4	9084200	BACK PANEL, GEAR GUARD	1
5	9084300	SPACER, GUARD	3



Bliss Box Former



Option Parts & Illustrations

Bliss Box Former

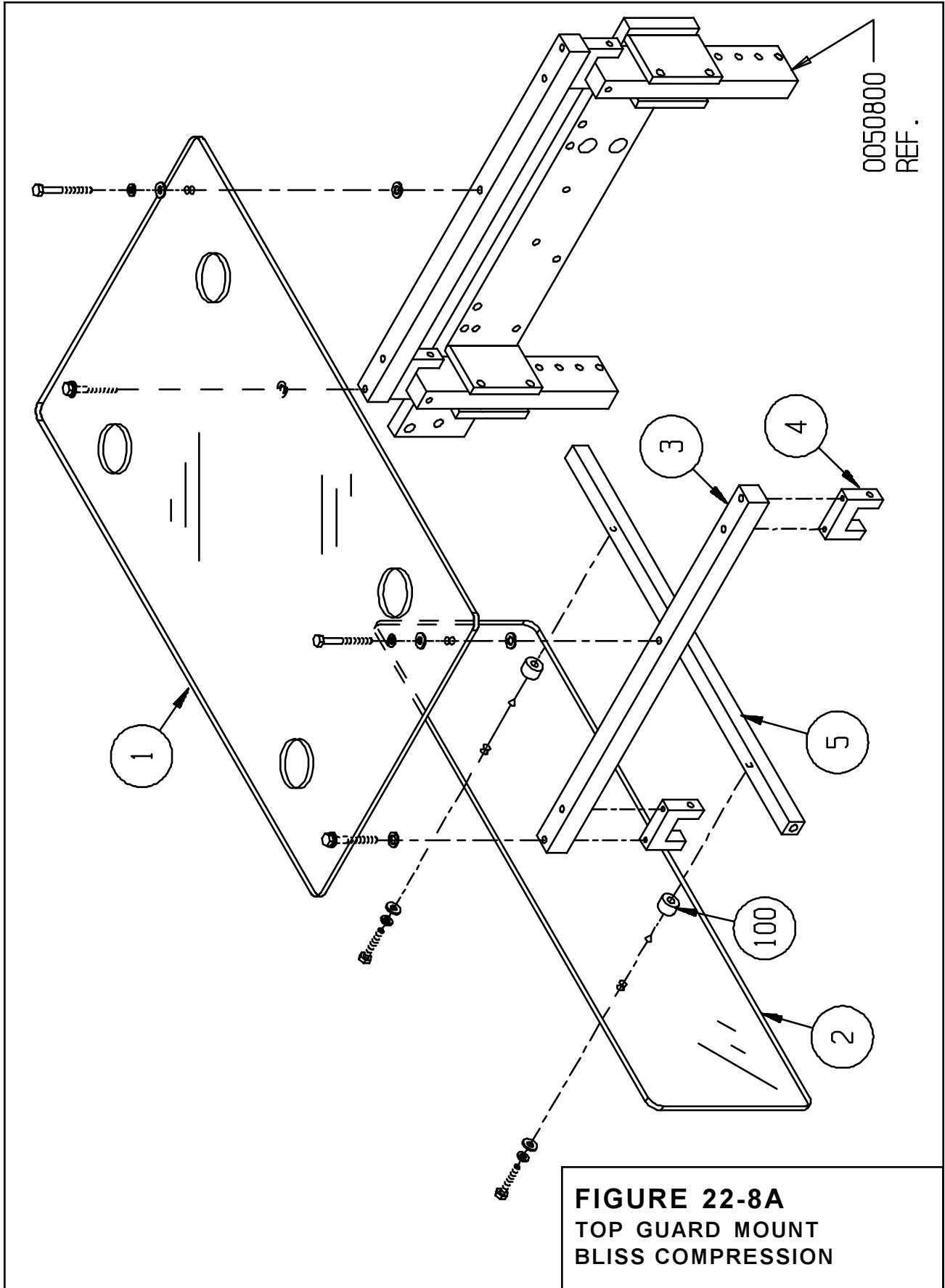


FIGURE 22-8A TOP GUARD MOUNT BLISS COMPRESSION

ITEM	PART NO.	DESCRIPTION	QTY.
1	9088900	GUARD, HORIZONTAL TOP	1
2	9088800	GUARD, VERTICLE TOP	1
3	9058500	BAR, GUARD MOUNT	2
4	0032200	STOP, TAB	2
5	9090700	BAR, REAR COMPRESSION	1
100	0202400	BUSHING	2



Bliss Box Former



Option Parts & Illustrations