



31.0 Option Parts & Illustrations

INTRODUCTION

This section lists and illustrates the replaceable assemblies and parts of the Tray Box Former as manufactured by W. E. Plemons Machinery Services, Inc. Each parts list contains the component parts for that assembly.

31.1 Index

FIGURE / DESCRIPTION

FIGURE 31-1

CHAIN ATTACHMENT ASSEMBLY
CORNER FLANGE SEAL-3" TO 6"

FIGURE 31-2

COMPRESSION CHAMBER ASSEMBLY
CORNER FLANGE SEAL
KWIK CHANGE-OPTIONAL

FIGURE 31-3

MAIN ROTATION ASSEMBLY
CORNER FLANGE SEAL-3" TO 6"

FIGURE 31-4

FLAP FOLDER CAM-LINKAGE ASSEMBLY
CORNER FLANGE SEAL

FIGURE 31-5

CABLE STOP-BRACKET ASSEMBLY
CORNER FLANGE SEAL-3" TO 6"

FIGURE 31-6

CABLE STOP-CAM LINKAGE ASSEMBLY
CORNER FLANGE SEAL

FIGURE 31-7

STRIPPER MOUNT ASSEMBLY
CORNER FLANGE SEAL-3" TO 6"

FIGURE 31-8

ELEVATED MANDREL ASSEMBLY
CORNER FLANGE SEAL-3" TO 6"

FIGURE 31-9

FEED POST ARM ASSEMBLY
CORNER FLANGE SEAL-3" TO 6"

FIGURE 31-10

VACUUM CUP BRACKET
ASSEMBLY

31.2 Illustrated Parts

See Next Page

Tray Box Former



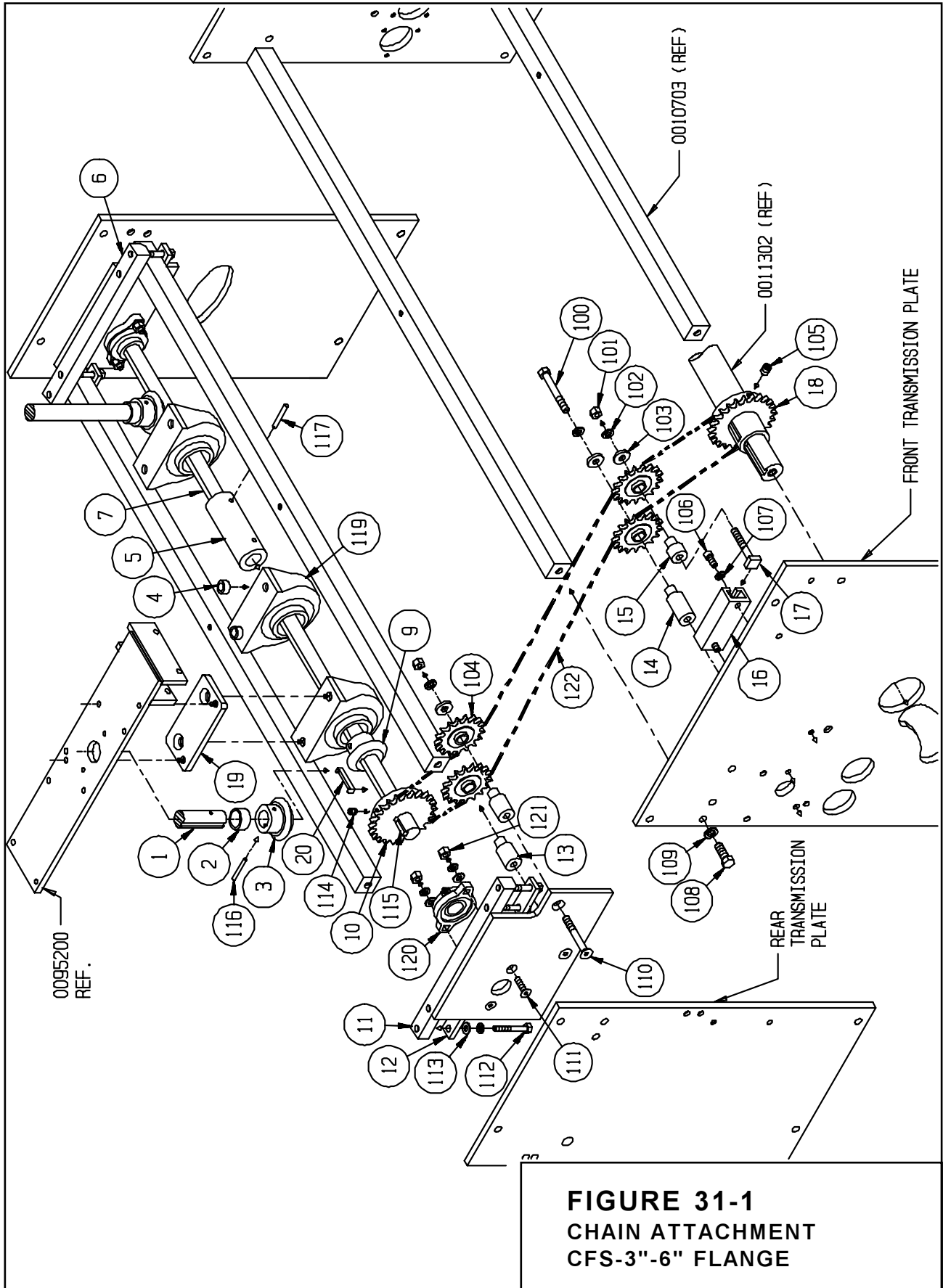
FIGURE 31-1
CHAIN ATTACHMENT ASSEMBLY
CFS-3" TO 6" FLANGE

ITEM	PART NO.	DESCRIPTION	QTY.
1	0094100	SHAFT, MAIN ROTATION-32"	REF
2	0094200	SPACER, MAIN ROTATION	2
3	0085100	GEAR, TOP COMPRESSION ADJ	2
4	0203101	BUSHING, FLANGE BEARING	2
5	0094000	COUPLING	1
6	0096200	HANGER, SHAFT RH	1
7	0093301	SHAFT, HORIZONTAL (WB)	2
9	0093400	GEAR, BEVEL	2
10	0041000	SPROCKET, 1.00 BORE	1
11	0096300	HANGER, SHAFT LH	1
12	0012801	CLAMP	4
13	0093700	AXLE, IDLER PLATE SPROCKET	2
14	0093800	AXLE, IDLER TRANS SPROCKET	1
15	0093900	AXLE, IDLER ADJ SPROCKET	1
16	0093500	IDLER ADJUSTMENT	1
17	0093600	IDLER BOLT	1
18	0093200	SPROCKET, 1 7/8 BORE	1
19	2110400	MOUNT, BEARING	2
20	2106500	KEY FOLLOWER	2
100		3/8-16 HEX HD CAP SCR X 3 1/4	1
101		3/8-16 STD HEX NUT	3
102		3/8 STD LOCK WASHER	4
103	1500200	WASHER	4
104	0300101	IDLER SPROCKET	4
105		7/16-14 CUP PT SET SCR X 5/8	1
106		5/16-18 SCKT HD CAP SCR X 3/4	2
107		5/16 STD LOCK WASHER	14
108		7/16-14 HEX HD CAP SCR X 1 1/4	8
109		7/16 STD LOCK WASHER	8
110		3/8-16 SCKT FLT HD SCR X 3 LG	2
111		5/16-18 SCKT FLT HD SCR X 1 1/4	4
112		5/16-18 HEX HD CAP SCR X 2 1/4	8
113		5/16 SAE FLAT WASHER	12
114		5/16-18 CUP PT SET SCR X 1/2	6
115	0900301	KEY, 1/4 X 1/4	3
116	0700600	ROLL PIN, 3/16 DIA.	2
117	0700400	ROLL PIN, 1/4 DIA.	2
119	0502300	BEARING, 1 3/4" DIA.	3
120	0501200	BEARING, 1" DIA.	2
121		5/16-18 STD HEX NUT	4
122	0800211	#40 CHAIN	1

Option Parts & Illustrations



Tray Box Former



Option Parts & Illustrations

Tray Box Former



FIGURE 31-2
UPPER COMPRESSION ASSEMBLY
CORNER FLANGE SEAL
KWIK CHANGE-OPTIONAL

ITEM	PART NO.	DESCRIPTION	QTY.
1	0085300	SHAFT, TOP COMP ADJ-W.B.	1
2	0091702	BAR, TOP COMP SUPPORT-W.B.	1
3	0085100	GEAR, TOP COMP ADJ	2
4	0085800R/L	PLATE, TOP COMP SUPPORT	1/1
5	0085400R/L	SCREW, TOP COMP ADJ	1/1
6	0085900	BAR, TOP COMP PLATE GUIDE	2
7	0086300	BRACKET, BAR GUIDE MOUNT	6
8	0086100	STRIP WEAR	4
9	0086500	BAR, GIB HOLDER	4
10	0090100	SPACER, SUPP BEARING COMP	2
11	0090200R/L	SPACER, SUPPORT TOP COMP	1/1
12	0087200	BAR, COMP FRONT SUPPORT-W.B	1
13	0043003	AXLE, IDLE SPROCKET	1
14	0082100	HANDLE ASSEMBLY	1
100	0207700	BUSHING, BRASS	4
101	0100700	1" SET COLLAR	1
102	0700503	RIVOT	8
103		3/8-16 STD HEX NUT	6
104		3/8 STD LOCK WASHER	18
105		3/8-16 SCKT FLT HD X 1 1/2 SCR	6
106		1/4" X 1 5/8" LG ROLL PIN	2
108	0502200	CAM ROLLER	2
109		1/2 SAE FLT WASHER	2
110		1/2-20 HALF HEX NUT	2
111		3/8-16 HEX HD CAP SCR X 1 1/4	4
112		3/8-16 HEX HD CAP SCR X 1	8
113		3/8-16 SCKT FLT HD SCR X 1 3/4	1
114	0300101	IDLE SPROCKET	1
115	1501800	WASHER	1
116		3/8-16 SCKT FLT HD SCR X 3/4	1
117	0087600	WASHER, THRUST	2
118	1501400	WASHER	1

Option Parts & Illustrations



Tray Box Former

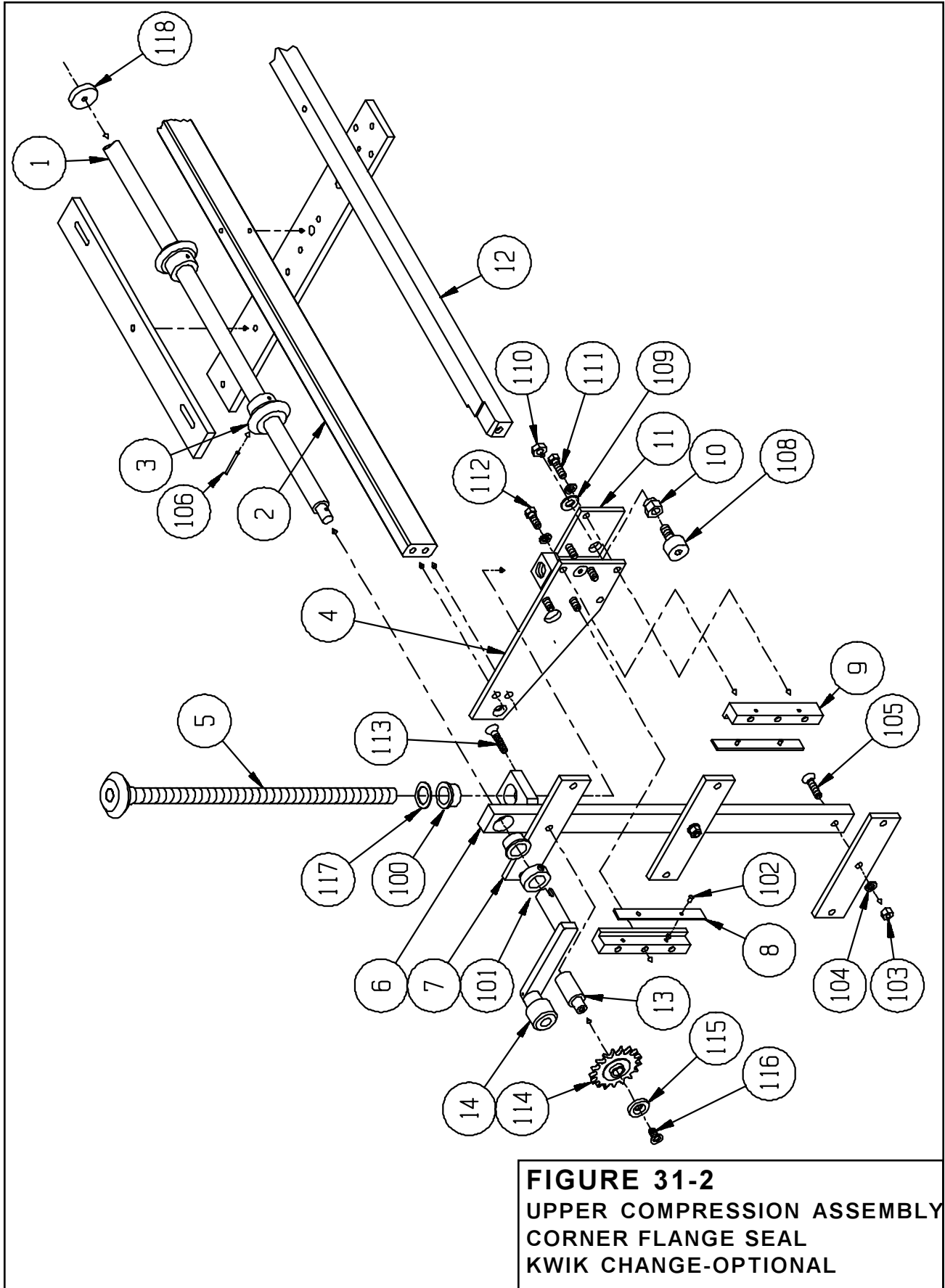


FIGURE 31-2
UPPER COMPRESSION ASSEMBLY
CORNER FLANGE SEAL
KWIK CHANGE-OPTIONAL

Option Parts & Illustrations

Tray Box Former



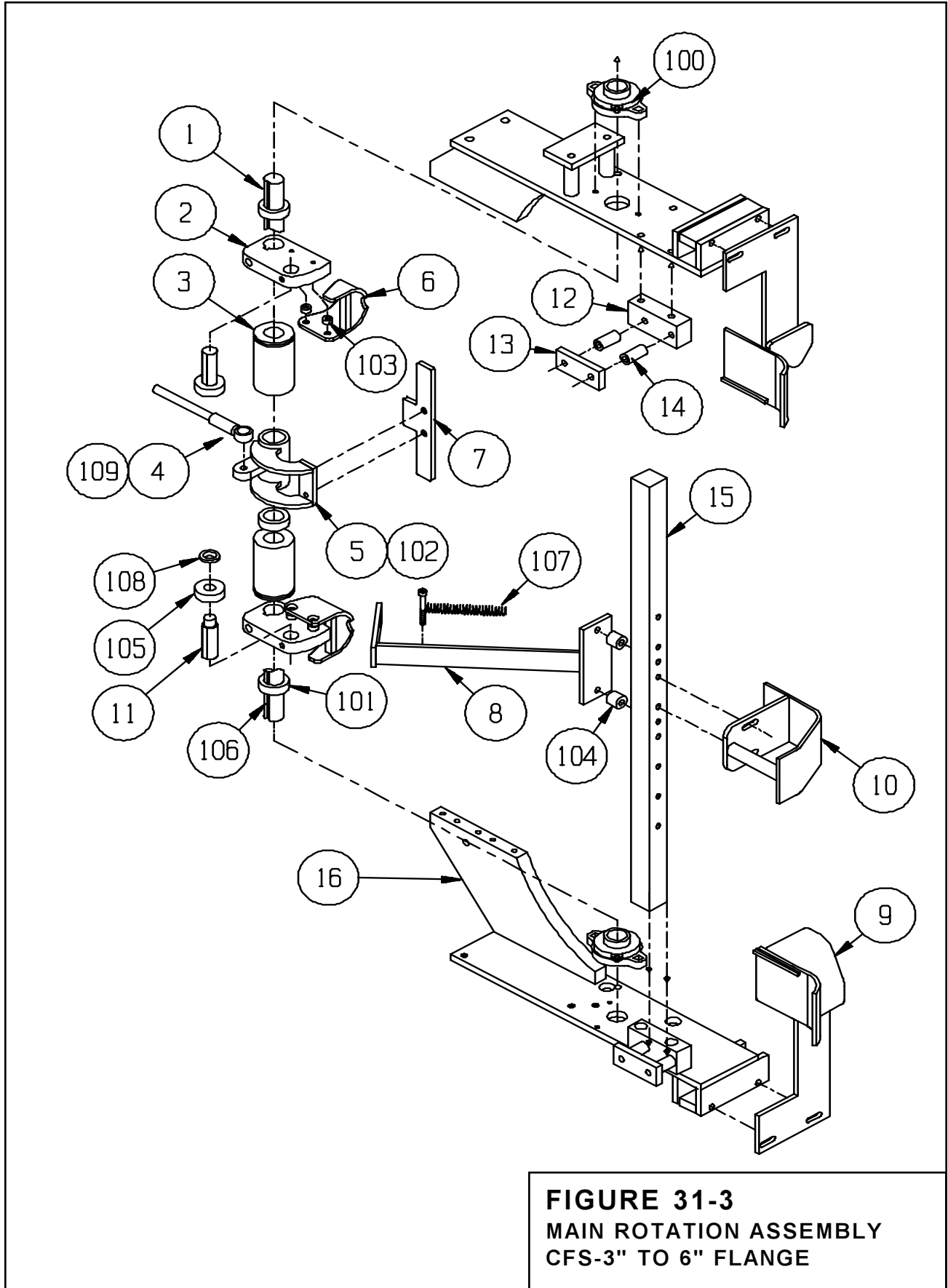
FIGURE 31-3
MAIN ROTATION ASSEMBLY
CFS-3" TO 6" FLANGE

ITEM	PART NO.	DESCRIPTION	QTY.
1	0094100	SHAFT, MAIN ROTATION-32"	2
2	0099800	PLATE, PLOW ROTATION	4
3	9106900	ROLLER, BOTTOM VERTICAL	4
4	0099700	ROD END	2
5	9099200	PIVOT, FLAP	2
6	0092300R/L	PLOW, ROTATING	2/2
7	9112000	FLAP, VERTICAL	2
8	0095600R/L	MOUNT, CABLE	1/1
9	0095402R/L	PLOW, COMBINATION	2/2
10	0095300	PLOW, VERTICAL	2
11	9112100	SHAFT, ROLLER	4
12	0091200	BLOCK, PLOW MOUNT	4
13	0091000	PLATE, VERTICLE MOUNT	4
14	0209400	BUSHING, VERTICLE BAR	8
15	0091600	BAR, VERTICLE SUPPORT-32"	2
16	2110800	PLATE, ANGLE MOUNT	4
100	0501200	1" FLANGE BEARING	4
101	0100700	1" SET COLLAR	6
102	0205700	BUSHING, BRONZE	4
103	0203500	BUSHING	8
104	0204600	BUSHING	4
105	0501400	ROLLER BEARING	4
106		KEY, 1/4 X 1/4 X 3/4 LG	4
107	1202700	SPRING	2
108	1502100	WASHER	4
109	0202700	BUSHING	2

Option Parts & Illustrations



Tray Box Former



Option Parts & Illustrations

Tray Box Former



FIGURE 31-4 FLAP FOLDER-CAM LINKAGE ASSY CORNER FLANGE SEAL

ITEM	PART NO.	DESCRIPTION	QTY.
1	0096400	BRACKET, CABLE	1
2	0094300	BAR, BRACKET MOUNT	1
3	0092000	CAM	1
4	0094600	BRACKET, FLAP FOLDER	1
5	0094700	PIVOT ARM BRACKET-REAR	2
6	0094801	PIVOT ARM BRACKET	2
7	0203000	BUSHING	4
8	0203700	BUSHING	4
9	0051502	LINK, FLAP LEVER	2
100	0090501	3/8 CABLE, 3-84	1
101	0096600	3/8 CABLE, 3-120	1
102		1/4-20 STD HEX NUT	1
103		3/8-16 HEX HD CAP SCR X 1 3/4	4
104		3/8 STD LOCK WASHER	13
105		1/4-20 SCKT HD CAP SCR X 2 1/4	1
106	1202700	SPRING	2
107		3/8-16 HEX HD CAP SCR X 2 1/2	2
109	1500200	WASHER	12
110		3/8-16 STD HEX NUT	3
111		3/8-16 HEX HD CAP SCR X 1 1/2	2
112		3/8-16 FIBER LOCK NUT	2
113	0209600	BUSHING-BRONZE	4
114	0200800	BUSHING	4
115	0200100	BUSHING-BRONZE	4
116		3/8-16 HEX HD CAP SCR X 4	1
117	1501600	WASHER	4
118		7/16-14 HEX HD CAP SCR X 4 1/2	2
119		3/8-16 HEX HD CAP SCR X 4 LG	1
120		3/8-16 HEX HD CAP X 2 1/2 LG	4
121	0500700	1 3/8" BEARING	1
122		3/8 SAE FLAT WASHER	1
123	1500600	WASHER	4
124		7/16 STD LOCK WASHER	2
125		7/16-14 STD HEX NUT	2
126	0501001	3/8 ROD END	2
127		3/8-24 STD HEX NUT	2

Option Parts & Illustrations



Tray Box Former

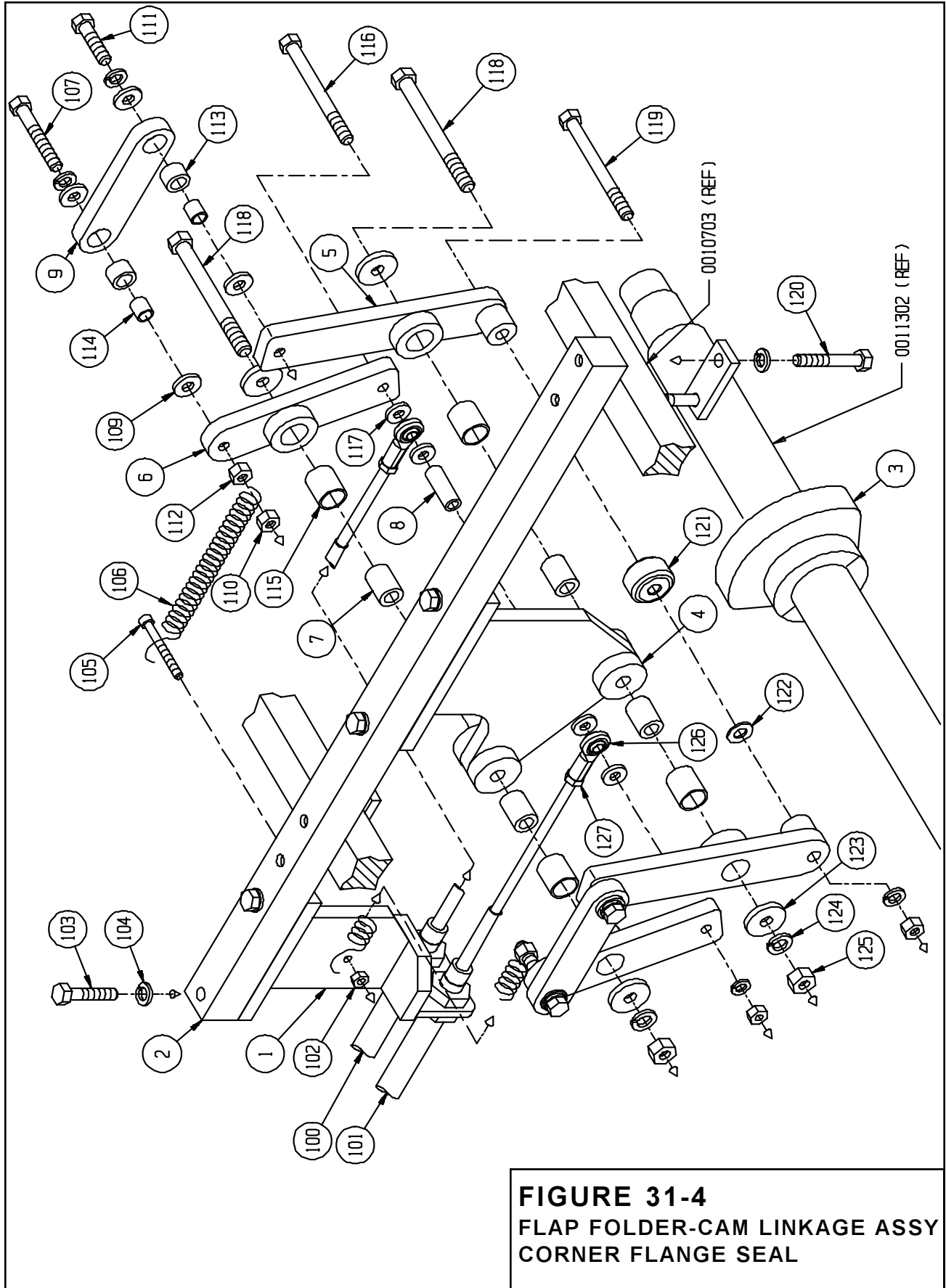


FIGURE 31-4
FLAP FOLDER-CAM LINKAGE ASSY
CORNER FLANGE SEAL

Option Parts & Illustrations

Tray Box Former



FIGURE 31-5
CABLE STOP BRACKET ASSEMBLY
CFS-3" TO 6" FLANGE

ITEM	PART NO.	DESCRIPTION	QTY.
1	0091300	BAR, ROLLER MOUNT	4
2	0090800	ROLLER, HORIZONTAL	24
3	0090700	AXLE, ROLLER	24
4	0091400	BAR, INSIDE ROLLER MOUNT	4
5	2110800	PLATE, COMP ROLLERS	REF
6	9111700R/L	ANGLE, ROLLER MOUNT	1/1
*	9111800R/L	WELMT, LOWER STOP SUPPORT	1/1
7	0096001R/L	WELDMT, STOP SUPPORT	2/2
8	0099500L/R	BRACKET, CABLE STOP MOUNT	1/1
9	9111900	VERTICAL STOP	2
10	0096100R/L	STOP	1/1
11	9105000R/L	SECONDARY FLAP GUIDE	2/2
12	0091800	SPACER-W.B.	REF
13	0090900	PLATE, CLAMPING	REF
14	9100300	MOUNT, FLAP GUIDE	4
15	9112200	FLAP GUIDE	4
16	0091702	BAR, SPREADER-W.B.	REF
100	0501002	5/16 ROD END	2
101	0200100	BUSHING	2
102	0100500	3/4" SET COLLAR	2
103	0205200	BUSHING	4
104	0203500	BUSHING	8
105	1501100	WASHER	22

* Not Shown



Tray Box Former

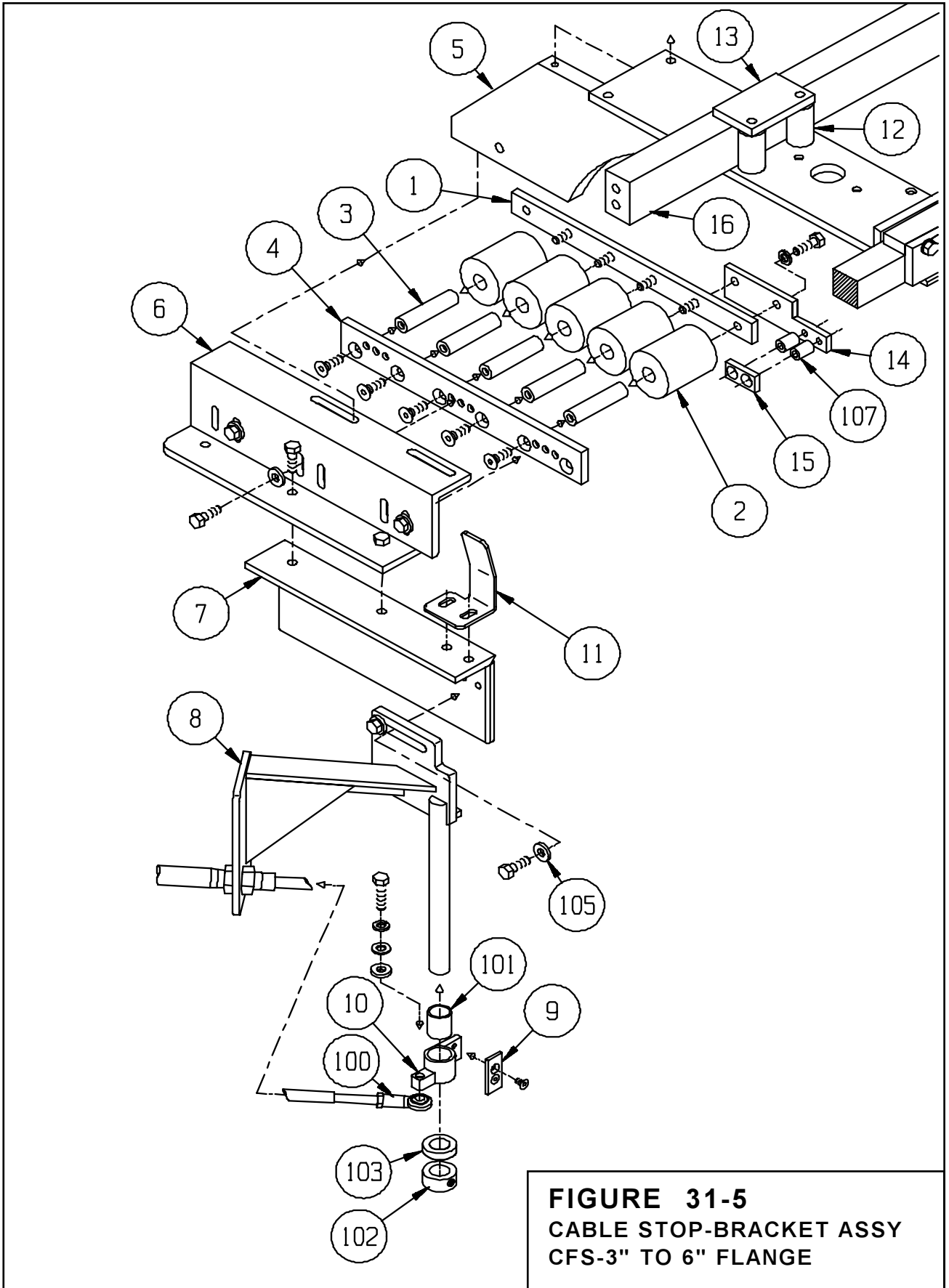


FIGURE 31-5
CABLE STOP-BRACKET ASSY
CFS-3" TO 6" FLANGE

Option Parts & Illustrations

Tray Box Former



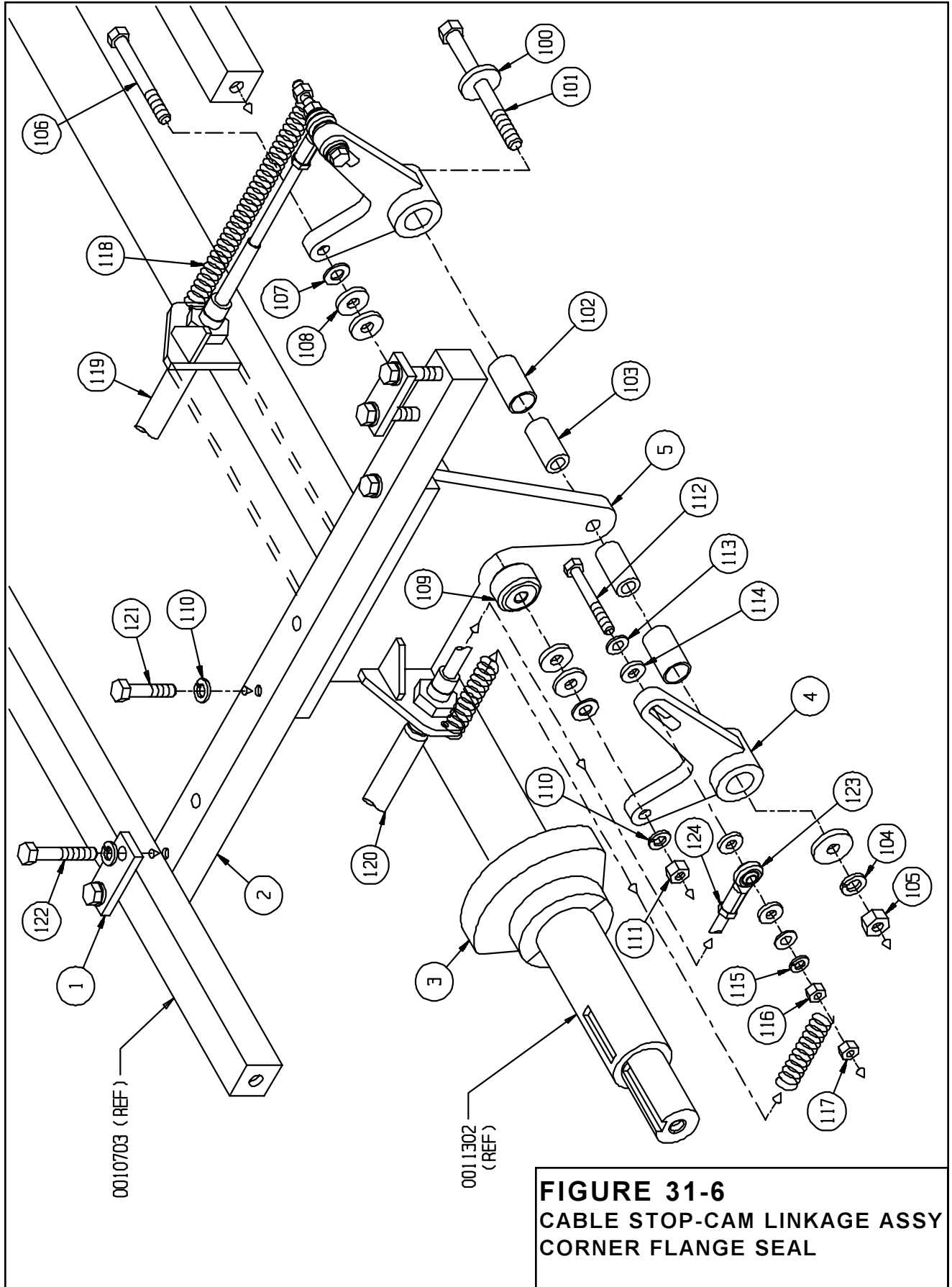
FIGURE 31-6
CABLE STOP CAM LINKAGE
CORNER FLANGE SEAL

ITEM	PART NO.	DESCRIPTION	QTY.
1	0012801	CLAMP	2
2	0061501	BAR, LOWER MOUNT	1
3	0092000	CAM	1
4	0061000	WELDMT, CABLE PULL LEVER	2
5	0095800	BRACKET, LEVER	1
100	1500600	WASHER	2
101		7/16-14 HEX HD CAP SCR X 4 1/2	1
102	0209200	BEARING, SLEEVE	2
103	0074300	BUSHING, LEVER	2
104		7/16 STD LOCK WASHER	1
105		7/16-14 STD HEX NUT	1
106		3/8-16 HEX HD CAP SCR X 3 1/4	1
107		3/8 SAE FLAT WASHER	2
108	1500101	WASHER	4
109	0500700	1 3/8 BEARING	1
110		3/8 STD LOCK WASHER	7
111		3/8-16 STD HEX NUT	1
112		5/16-18 HEX HD CAP SCR X 2 1/4	1
113		5/16 SAE FLAT WASHER	4
114	1501100	WASHER	6
115		5/16 STD LOCK WASHER	2
116		5/16-18 STD HEX NUT	2
117		5/16-18 FIBER LOCK NUT	2
118	1202700	SPRING	2
119	0090600	5/16 CABLE, 2-120	1
120	0056100	5/16 CABLE, 2-90	1
121		3/8-16 HEX HD CAP SCR X 1 3/4	4
122		3/8-16 HEX HD CAP SCR X 3 1/4	2
123	0501002	5/16 ROD END	2
124		5/16-24 STD HEX NUT	2

Option Parts & Illustrations



Tray Box Former



Option Parts & Illustrations

Tray Box Former



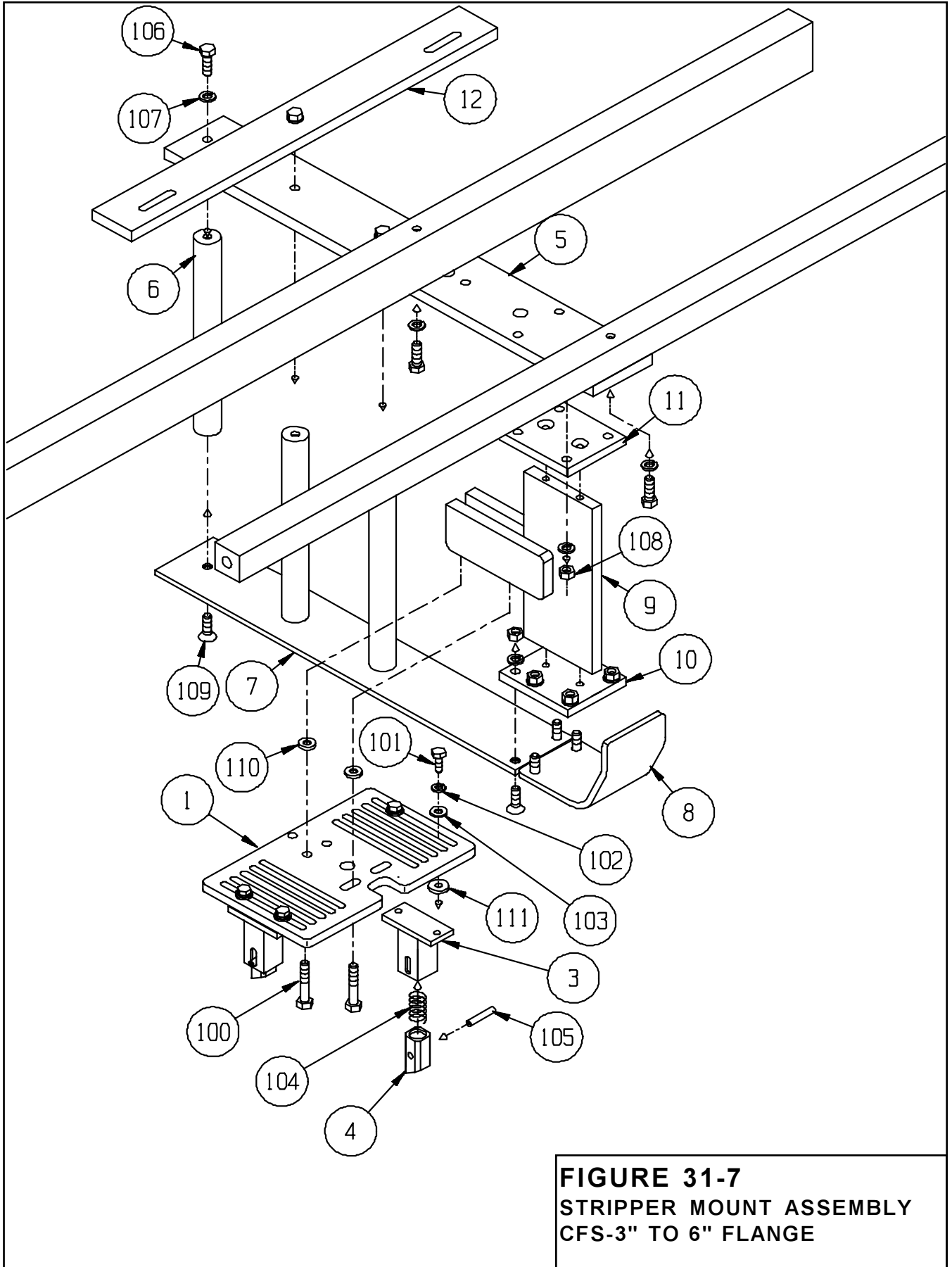
FIGURE 31-7
STRIPPER MOUNT ASSEMBLY
CFS-3" TO 6" FLANGE

ITEM	PART NO.	DESCRIPTION	QTY.
1	0092501	PLATE, MOUNT SUPPORT	2
3	0095701	WELDMT, ACUATOR	4
4	0092600	ACUATOR	4
5	0091500	SUPPORT, SHOE	2
6	0092701	STANDOFF	6
7	0092900	SHOE, BOX FORMING	2
8	0092100	PLOW, CENTER	2
9	0055501	MOUNT, CENTER SHOE	2
10	00951102	PLATE, MOUNTING SHOE	2
11	00951101	PLATE, MOUNTING BAR	2
12	2110700	PLATE, ROLLER BRACE	2
100		5/16-18 HEX HD CAP SCR X 1 3/4	8
101		1/4-20 HEX HD CAP SCR X 3/4 LG	8
102		1/4 STD LOCK WASHER	8
103		1/4 SAE FLAT WASHER	8
104	1200300	SPRING	4
105		7/32 ROLL PIN X 1 1/4 LG	4
106		5/16-18 HEX HD CAP SCR X 1 1/4 LG	10
107		5/16 STD LOCK WASHER	30
108		5/16-18 STD HEX NUT	20
109		5/16-18 SCKT FLAT HD SCR X 1 LG	18
110	1501600	WASHER	4
111	1501500	SPACER	8

Option Parts & Illustrations



Tray Box Former



Option Parts & Illustrations

Tray Box Former



FIGURE 31-8
ELEVATED MANDREL ASSEMBLY
CFS-3" TO 6" FLANGE

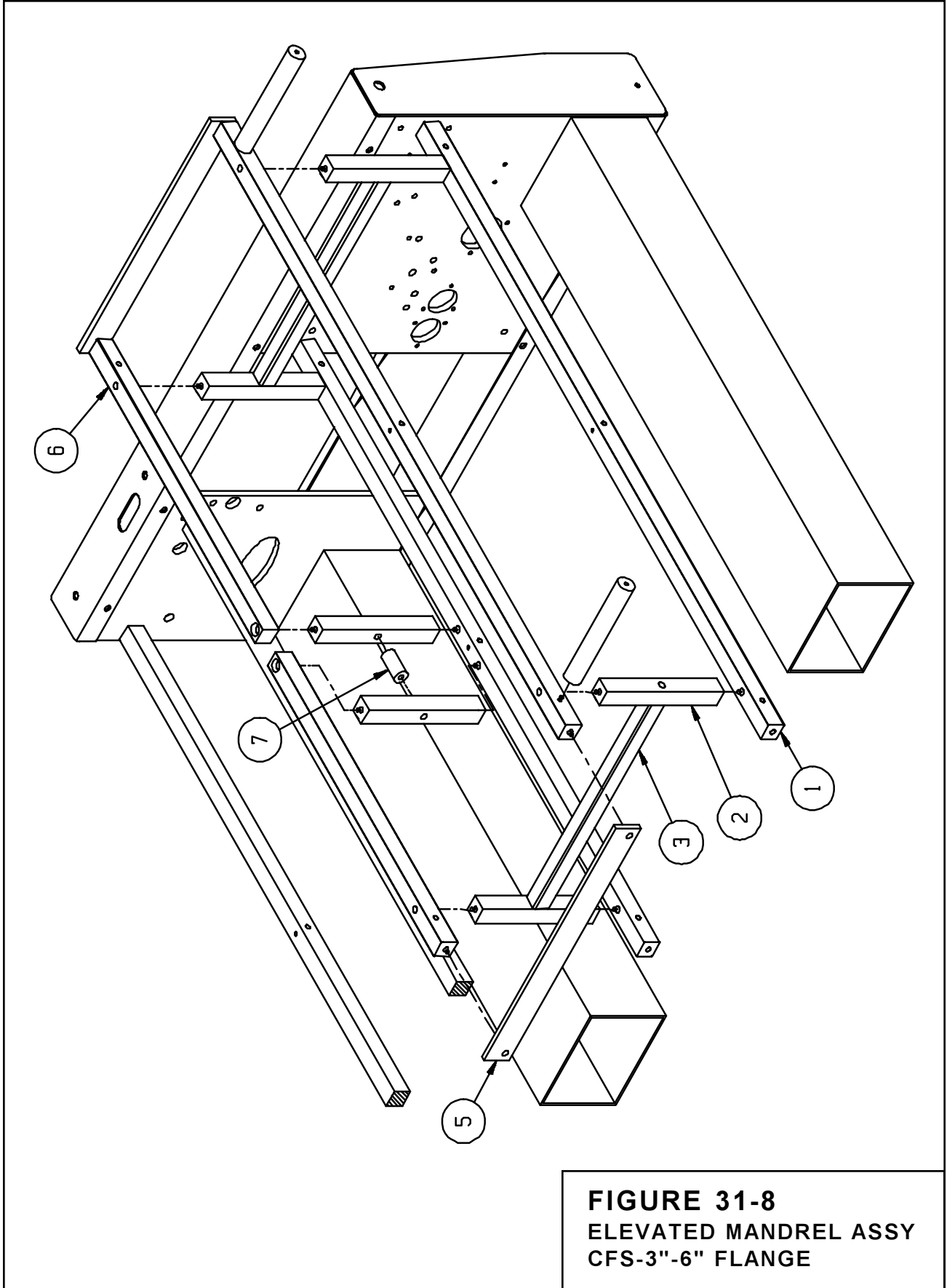
ITEM	PART NO.	DESCRIPTION	QTY.
1	0010705	SPREADER, FRAME-W.B.	5
2	2109702	POST-4" TO 8" FLANGE	6
3	2109900	SPACER BAR	2
5	2110000	PLATE BAR	2
6	2110101	SPREADER, REAR FRAME-W.B.	2
7	2110300	SPACER	1

Hardware Not Shown

Option Parts & Illustrations



Tray Box Former



Option Parts & Illustrations

Tray Box Former



FIGURE 31-9
FEED POST ARM ASSEMBLY
CFS - 3" TO 6"

ITEM	PART NO.	DESCRIPTION	QTY.
1	0041300	FEED POST ARM	1
2	9107000	ROD, FORM PLUNGER	1
3	0205900	BUSHING, TUBE YOKE	2
100		1/2-13 HEX HD SCR X 1 1/4 LG	4
101		1/2 STD LOCK WASHER	4
102		3/8-16 HEX HD CAP SCR X 3 LG	1
103		3/8 SAE FLT WASHER	1
104		3/8 STD LOCK WASHER	1
105		3/8-16 HEX NUT	1
106	0100600	SET COLLAR, 7/8"	1



Tray Box Former

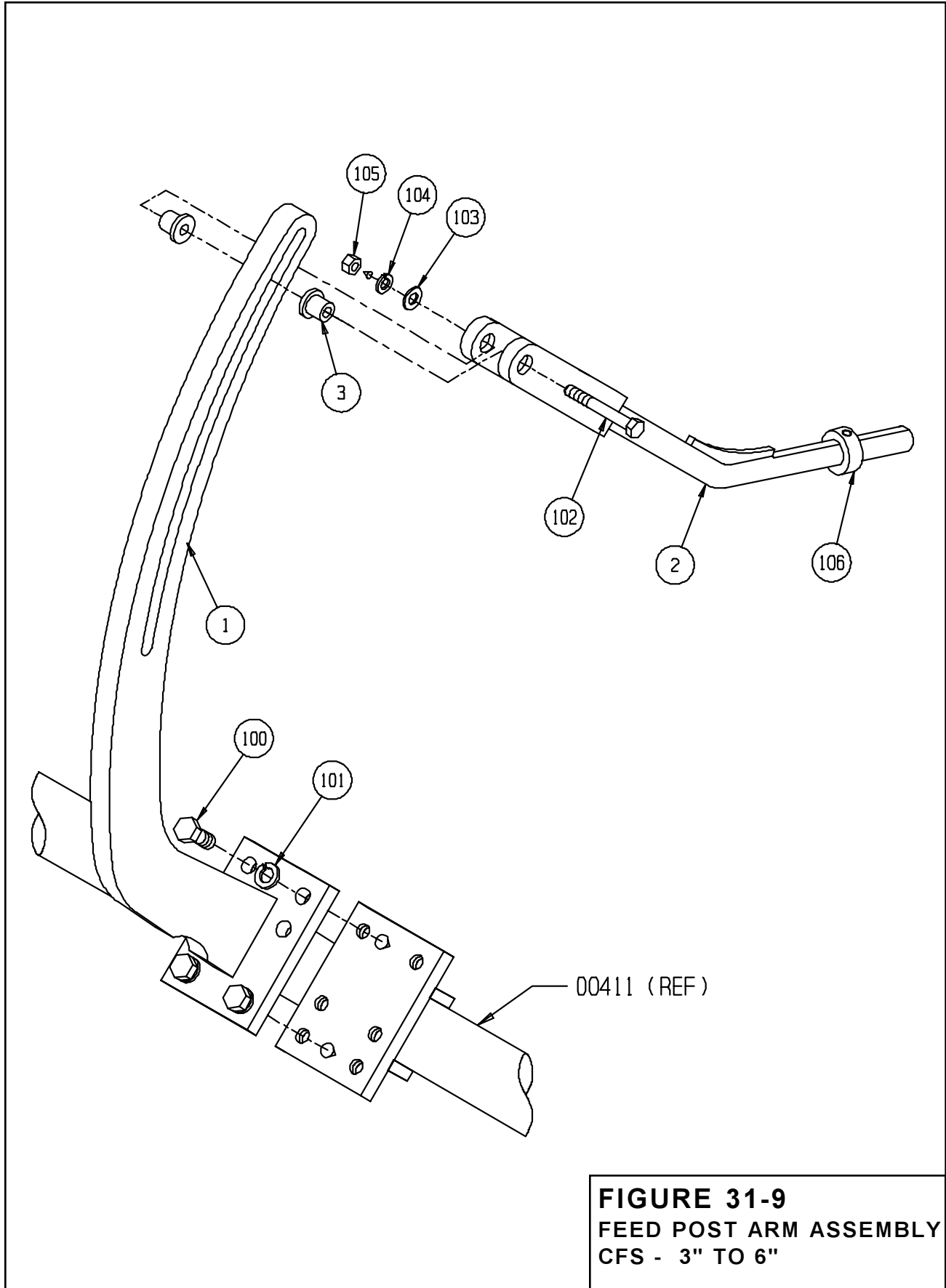


FIGURE 31-9
FEED POST ARM ASSEMBLY
CFS - 3" TO 6"

Option Parts & Illustrations

Tray Box Former

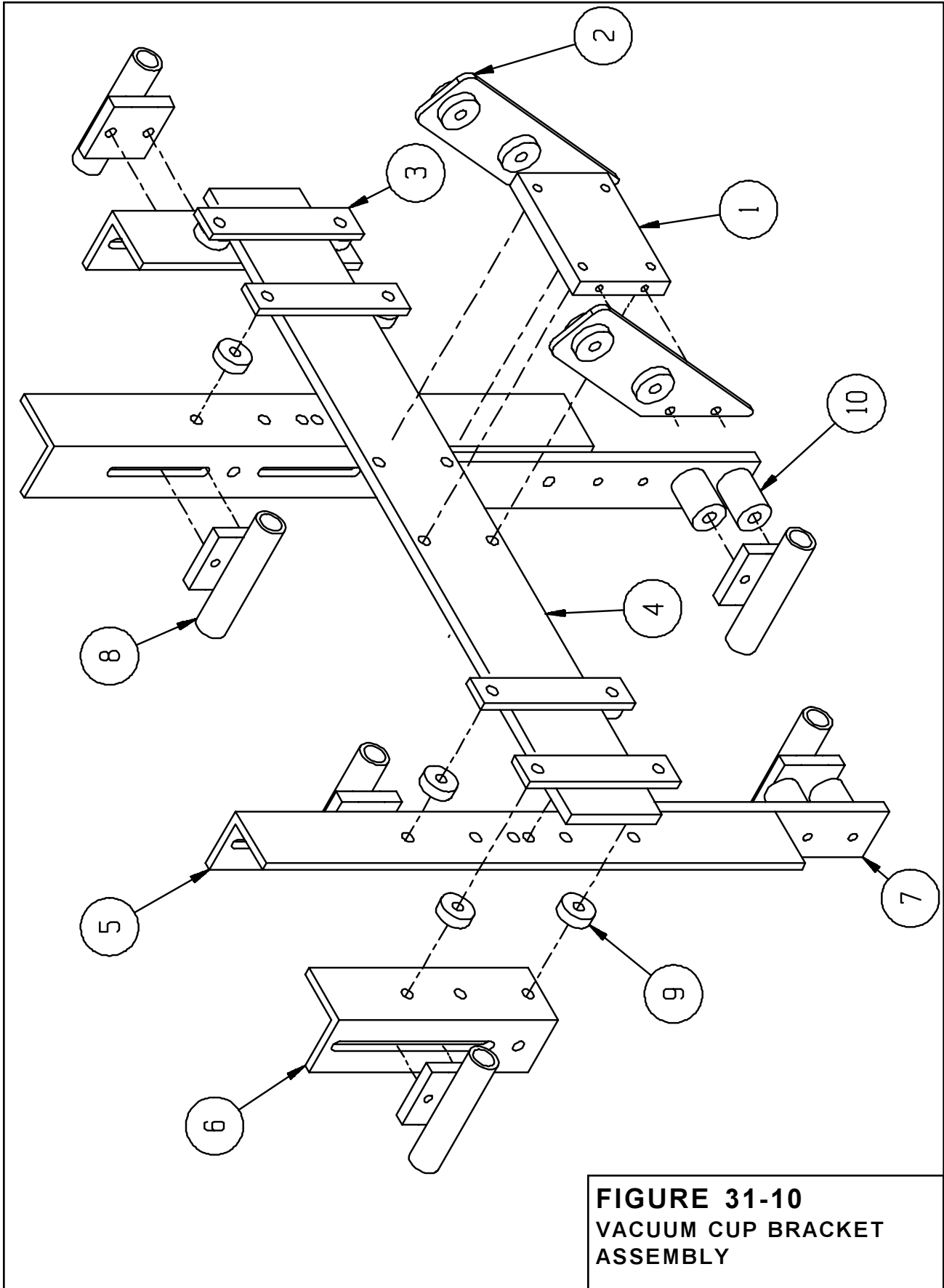


FIGURE 31-10
VACUUM CUP BRACKET
ASSEMBLY

ITEM	PART NO.	DESCRIPTION	QTY.
1	0046300	REF (PLATE)	1
2	0046700	REF. (BRACKET)	2
3	0076900	BAR CLAMP	4
4	0076801	EXTENSION-CUP MTG BAR	1
5	2112400R/L	BRACKET-VAC CUP MTG	1/1
6	0063900R/L	ANGLE-MOUNTING	1/1
7	2112300	BAR-VAC CUP BTM MTG	2
8	0038101	REF. (BRACKET-VAC. CUP TUBE)	6
9	0077000	SPACER	8
10	0207800	BUSHING	4



Tray Box Former



Option Parts & Illustrations

Tray Box Former



THIS PAGE IS BLANK

Option Parts & Illustrations