



## 12.0 Option Parts & Illustrations

### INTRODUCTION

This section lists and illustrates the replaceable assemblies and parts of the Tray Box Former as manufactured by W. E. Plemons Machinery Services, Inc. Each parts list contains the component parts for that assembly.

### 12.1 Index

#### FIGURE / DESCRIPTION

---

**FIGURE 12-1**

CHAIN ATTACHMENT ASSEMBLY  
CORNER FLANGE SEAL-4" FLANGE OR LESS

**FIGURE 12-2**

COMPRESSION CHAMBER ASSEMBLY  
CORNER FLANGE SEAL

**FIGURE 12-2A**

UPPER COMPRESSION ASSEMBLY  
CORNER FLANGE SEAL-KWIK CHANGE-OPTIONAL

**FIGURE 12-3**

MAIN ROTATION ASSEMBLY  
CORNER FLANGE SEAL-4" FLANGE OR LESS

**FIGURE 12-4**

FLAP FOLDER CAM- LINKAGE ASSEMBLY  
CORNER FLANGE SEAL

**FIGURE 12-5**

CABLE STOP-BRACKET ASSEMBLY  
CORNER FLANGE SEAL-4" FLANGE OR LESS

**FIGURE 12-6**

CABLE STOP-CAM LINKAGE ASSEMBLY  
CORNER FLANGE SEAL

**FIGURE 12-7**

STRIPPER MOUNT ASSEMBLY  
CORNER FLANGE SEAL-4" FLANGE OR LESS

**FIGURE 12-8**

ELEVATED MANDREL ASSEMBLY  
CORNER FLANGE SEAL-4" FLANGE OR LESS

### 12.2 Illustrated Parts

See Next Page

# Tray Box Former



**FIGURE 12-1**  
**CHAIN ATTACHMENT ASSEMBLY**  
**CFS-4" FLANGE OR LESS**

ITEM	PART NO.	DESCRIPTION	QTY.
1	0094100~	SHAFT, MAIN ROTATION	2
*	0094101~	SHAFT, MAIN ROTOATION	2
2	0094200	SPACER, MAIN ROTATION	2
3	0085100	GEAR, TOP COMPRESSION ADJ	2
4	0203101	BUSHING, FLANGE BEARING	1
5	0094000	COUPLING	1
6	0096200	HANGER, SHAFT RH	1
7	0093300~	SHAFT, HORIZONTAL	2
*	0093301~	SHAFT, HORIZONTAL	2
9	0093400	GEAR, BEVEL	2
10	0041000	SPROCKET, 1.00 BORE	1
11	0096300	HANGER, SHAFT LH	1
12	0012801	CLAMP	4
13	0093700	AXLE, IDLER PLATE SPROCKET	2
14	0093800	AXLE, IDLER TRANS SPROCKET	1
15	0093900	AXLE, IDLER ADJ SPROCKET	1
16	0093500	IDLER ADJUSTMENT	1
17	0093600	IDLER BOLT	1
18	0093200	SPROCKET, 1 7/8 BORE	1
19	2110400	MOUNT, BEARING	2
20	2106500	KEY FOLLOWER	2
21	0092501~	PLATE, STRIPPER	2
*	0092500~	PLATE, STRIPPER	2
*	0092502~	PLATE, STRIPPER	2
100	8010900	3/8-16 HEX HD CAP SCR X 3 1/4 LG	1
101	8024500	3/8-16 STD HEX NUT	3
102	8036800	3/8 STD LOCK WASHER	4
103	1500200	WASHER	4
104	0300101	IDLER SPROCKET	4
105	8027600	7/16-14 CUP PT SET SCR X 5/8 LG	1
106	8032600	5/16-18 SCKT HD CAP SCR X 3/4 LG	2
107	8036700	5/16 STD LOCK WASHER	14
108	8011800	7/16-14 HEX HD CAP SCR X 1 1/4 LG	8
109	8036900	7/16 STD LOCK WASHER	8
110		3/8-16 SCKT FLT HD SCR X 3 LG	2
111	8004900	5/16-18 SCKT FLT HD SCR X 1 1/4 LG	4
112	8008800	5/16-18 HEX HD CAP SCR X 2 1/4 LG	8
113	8035800	5/16 SAE FLAT WASHER	12
114	8027000	5/16-18 CUP PT SET SCR X 1/2 LG	6
115	0900301	KEY, 1/4 X 1/4	3
116	0700600	ROLL PIN, 3/16 DIA.	2
117	0700400	ROLL PIN, 1/4 DIA.	2
119	0502300	BEARING, 1 3/4" DIA.	3
120	0501200	BEARING, 1" DIA.	2
121	8024400	5/16-18 STD HEX NUT	4
122	0800211	#40 CHAIN	1

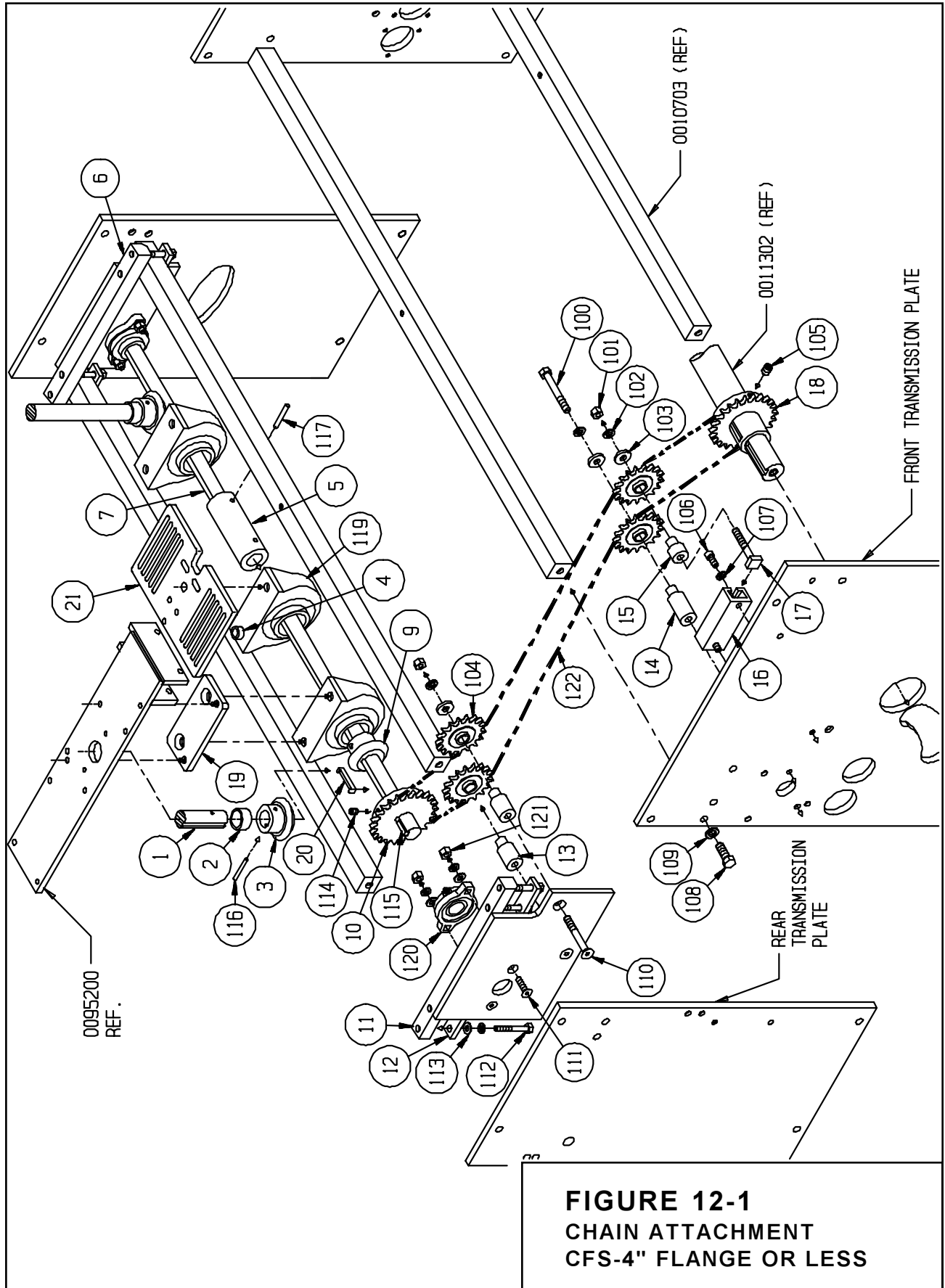
\* NOT SHOWN

~ VARIABLE PART

**Option Parts & Illustrations**



# Tray Box Former



*Option Parts & Illustrations*

# Tray Box Former



**FIGURE 12-2**  
**COMPRESSION CHAMBER ASSEMBLY**  
**CORNER FLANGE SEAL**

ITEM	PART NO.	DESCRIPTION	QTY.
1	0028700	BRACKET, FORM SHOE	4
2	0029001	BAR, FORM SHOE SIDE	2
3	0094900	MOUNT, HORIZONTAL BAR	2
4	0028800	PLATE, BAR CLAMP	2
5	0028801	PLATE, BAR CLAMP	2
6	0090900	PLATE, CLAMPING	2
7	0095200R/L	SHOE, MOUNTING	2/2
8	0095000R/L	ANGLE, ROLLER MOUNT	2/2
9	0034100	BAR, CLAMP	4
10	0091000	PLATE, VERTICLE MOUNT	4
11	0091200	BLOCK, PLOW MOUNT	4
12	0091600	BAR, VERTICLE SUPPORT	2
13	0091100	BAR, ANGLE MOUNT	4
14	0091700~	BAR, UPPER SUPPORT-S.B.	2
*	0091703~	BAR, UPPER SUPPORT-W.B.	2
15	0209300~	BUSHING, HORIZONTAL MT.-S.B.	8
*	0091800~	BUSHING, HORIZONTAL MT.-W.B.	8
16	0209400	BUSHING, VERTICAL BAR	8
100	8008300	5/16-18 HEX HD CAP SCR X 1 LG	54
101	8036700	5/16 STD LOCK WASHER	54
102	8024400	5/16-18 STD HEX NUT	16
103	8005800	3/8-16 SCKT FLT HD SCR X 2 LG	4
104	8024900	3/8-16 STD HEX NUT	4
105	8036800	3/8 STD LOCK WASHER	8
106	8011800	7/16-14 HEX HD CAP SCR X 1 1/4 LG	4
107	8036900	7/16 STD LOCK WASHER	4
108	8008600	5/16-18 HEX HD CAP SRC X 1 3/4 LG	2
109	8010400	3/8-16 HEX HD CAP SCR X 2 LG	8
110	8035800	5/16 SAE FLAT WASHER	2
111	8034100	3/8-16 SCKT HD CAP SCR X 1 1/2 LG	4
112	8008800	5/16-18 HEX HD CAP SCR X 2 1/4 LG	8
113	1200800	SPRING	2

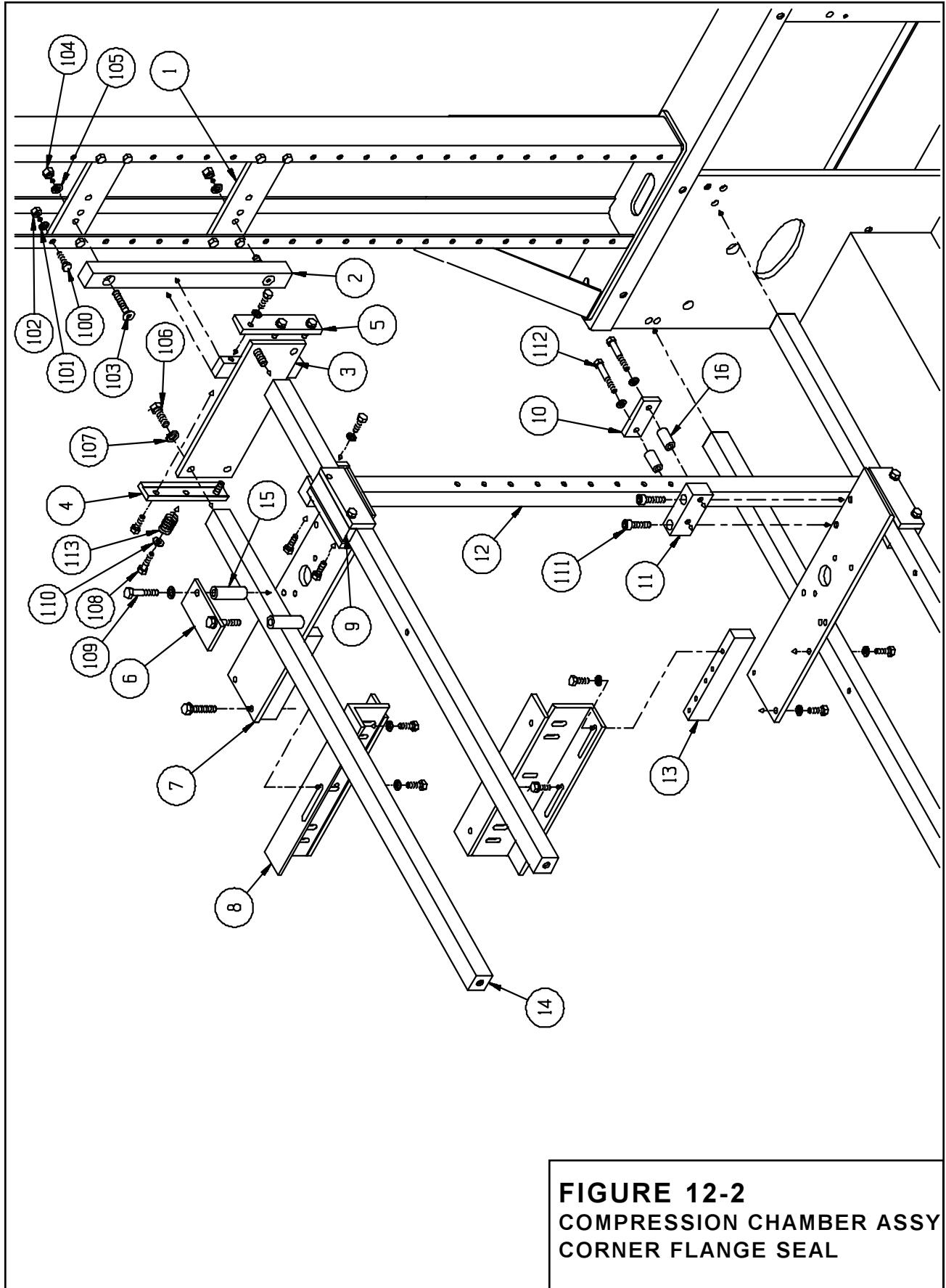
\* NOT SHOWN

~ VARIABLE PART

*Option Parts & Illustrations*



# Tray Box Former



**FIGURE 12-2**  
COMPRESSION CHAMBER ASSY  
CORNER FLANGE SEAL

*Option Parts & Illustrations*

# Tray Box Former



## FIGURE 12-2A UPPER COMPRESSION ASSEMBLY CORNER FLANGE SEAL KWIK CHANGE-OPTIONAL

ITEM	PART NO.	DESCRIPTION	QTY.
1	0085300~	SHAFT, TOP COMP ADJ-W.B.	1
*	0085301~	SHAFT, TOP COMP ADJ-S.B.	1
2	0091702~	BAR, TOP COMP SUPPORT-W.B.	1
*	0085201~	BAR, TOP COMP SUPPORT-S.B.	1
3	0085100	GEAR, TOP COMP ADJ	2
4	0085800R/L	PLATE, TOP COMP SUPPORT	1/1
5	0085400R/L	SCREW, TOP COMP ADJ	1/1
6	0085900	BAR, TOP COMP PLATE GUIDE	2
7	0086300	BRACKET, BAR GUIDE MOUNT	6
8	0086100	STRIP WEAR	4
9	0086500	BAR, GIB HOLDER	4
10	0090100	SPACER, SUPPORT TOP COMP	2
11	0090200R/L	SPACER, SUPPORT TOP COMP	1/1
12	0087200~	BAR, COMP FRONT SUPPORT-W.B	1
*	0087201~	BAR, COMP FRONT SUPPORT-S.B	1
13	0043003	AXLE, IDLE SPROCKET	1
100	0207700	BUSHING	4
101	0100800	1" SET COLLAR	1
102	0700503	RIVOT	8
103	8024500	3/8-16 STD HEX NUT	6
104	8036800	3/8 STD LOCK WASHER	18
105	8005600	3/8-16 SCKT FLT HD X 1 1/2 SCR	6
106		3/16 " X 1 3/4" ROLL PIN	2
108	0502200	CAM ROLLER	2
109	8036100	1/2 SAE FLT WASHER	2
110	8024700	1/2-20 HALF HEX NUT	2
111	8010100	3/8-16 HEX HD CAP SCR X 1 1/4	4
112	8010000	3/8-16 HEX HD CAP SCR X 1	8
113	8005700	3/8-16 SCKT FLT HD SCR X 1 3/4	1
114	0300101	IDLE SPROCKET	1
115	1501800	WASHER	1
116	8005300	3/8-16 SCKT FLT HD SCR X 3/4	1
117	0084600	WASHER, THRUST	2
118	1501400	WASHER	1

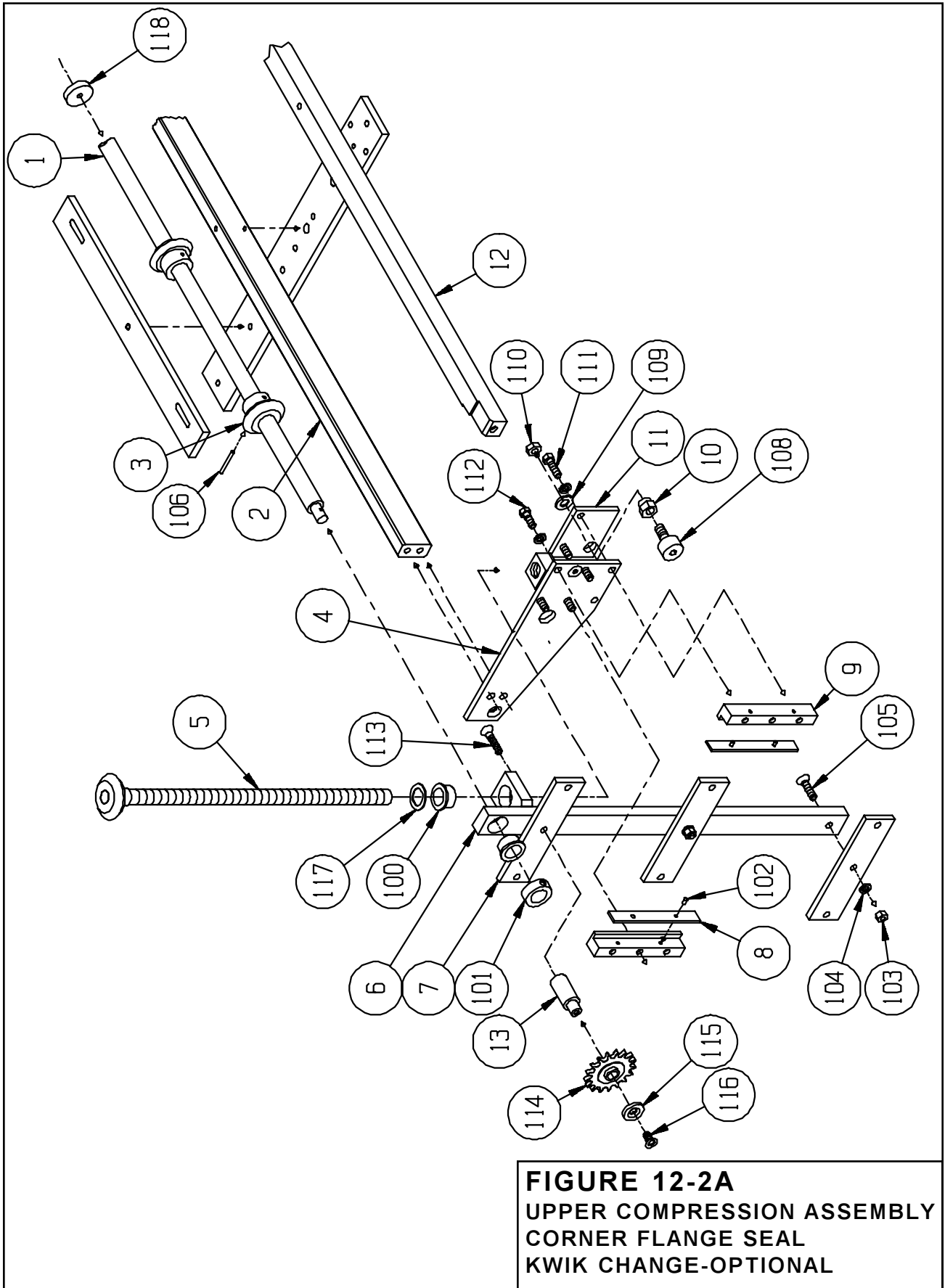
\* NOT SHOWN

~ VARIABLE PART

Option Parts & Illustrations



# Tray Box Former



*Option Parts & Illustrations*

# Tray Box Former



**FIGURE 12-3**  
**MAIN ROTATION ASSEMBLY**  
**CFS-4" FLANGE OR LESS**

ITEM	PART NO.	DESCRIPTION	QTY.
1	0094100~	SHAFT, MAIN ROTATION	REF
*	0094101~	SHAFT, MAIN ROTATION	REF
2	0099800	PLATE, PLOW ROTATION	4
3	0091901	ROLLER, VERTICAL	4
4	0099700	ROD END	2
5	0095500~	PIVOT, FLAP	2
*	0095501~	PIVOT, FLAP	2
6	0092301R/L~	PLOW, ROTATING	2/2
*	0092300R/L~	PLOW, ROTATING	2/2
*	0092302R/L~	PLOW, ROTATING	2/2
*	0092303R/L~	PLOW, ROTATING	2/2
7	0092401~	FLAP, VERTICAL	2
*	0092400~	FLAP, VERTICAL	2
8	0095600R/L	MOUNT, CABLE	1/1
9	0095401R/L~	PLOW, COMBINATION	2/2
*	0095400R/L~	PLOW, COMBINATION	2/2
*	0095402R/L~	PLOW, COMBINATION	2/2
10	0095300	PLOW, VERTICAL	2
11	0093100	SHAFT, ROLLER	4
100	0501200	1" FLANGE BEARING	4
101	0100700	1" SET COLLAR	6
102	0205700	BUSHING, BRONZE	4
103	0203500	BUSHING	8
104	0204600	BUSHING	4
105	0502400	ROLLER BEARING	4
106	0900303	KEY, 1/4 X 1/4 X 3/4 LG	4
107	1202700	SPRING	2
108	1502100	WASHER	4

\* Not Shown

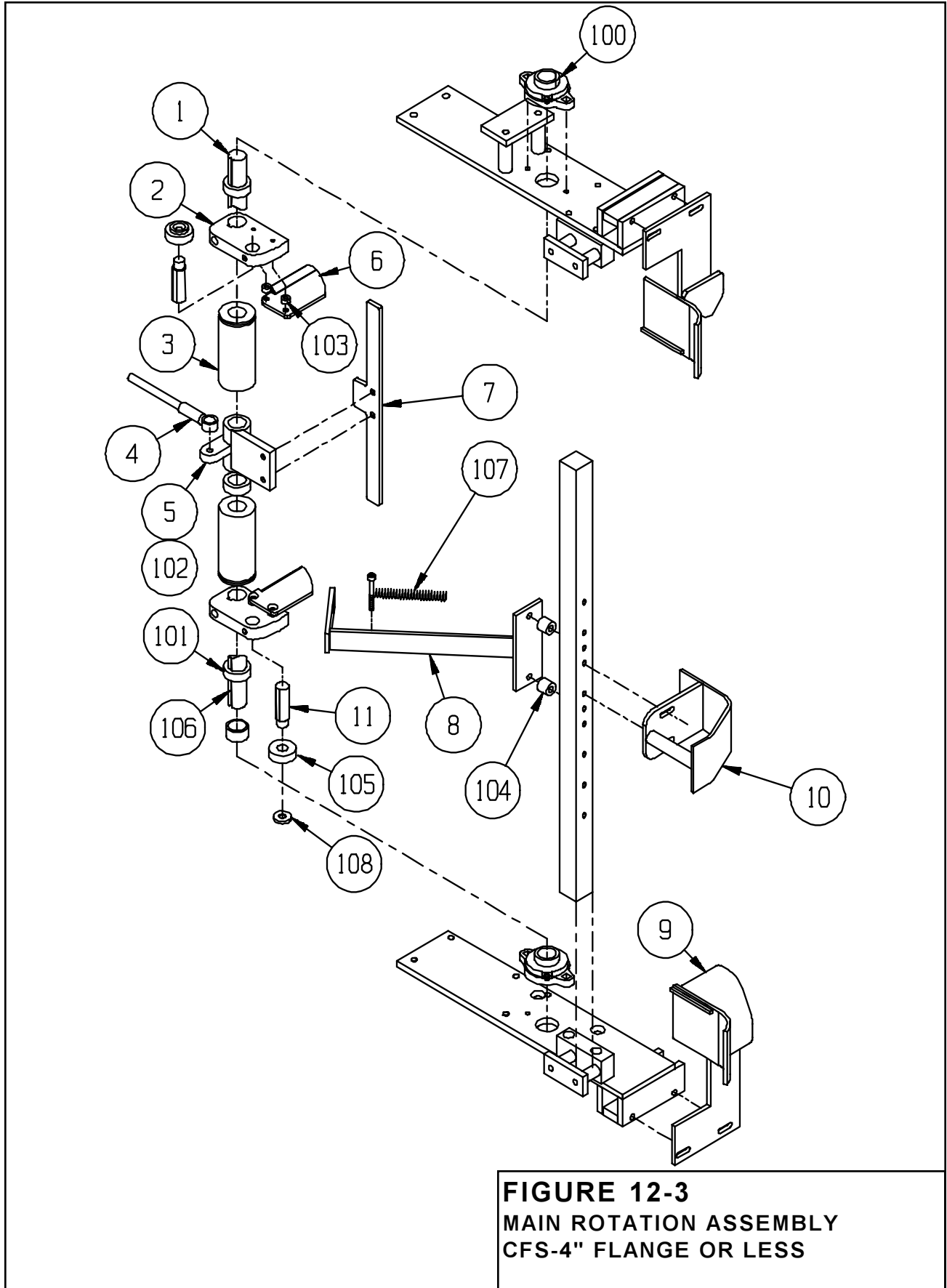
~ Variable Part

*Option Parts & Illustrations*





# Tray Box Former



**FIGURE 12-3**  
MAIN ROTATION ASSEMBLY  
CFS-4" FLANGE OR LESS

*Option Parts & Illustrations*

# Tray Box Former



**FIGURE 12-4**  
**FLAP FOLDER-CAM LINKAGE ASSY**  
**CORNER FLANGE SEAL**

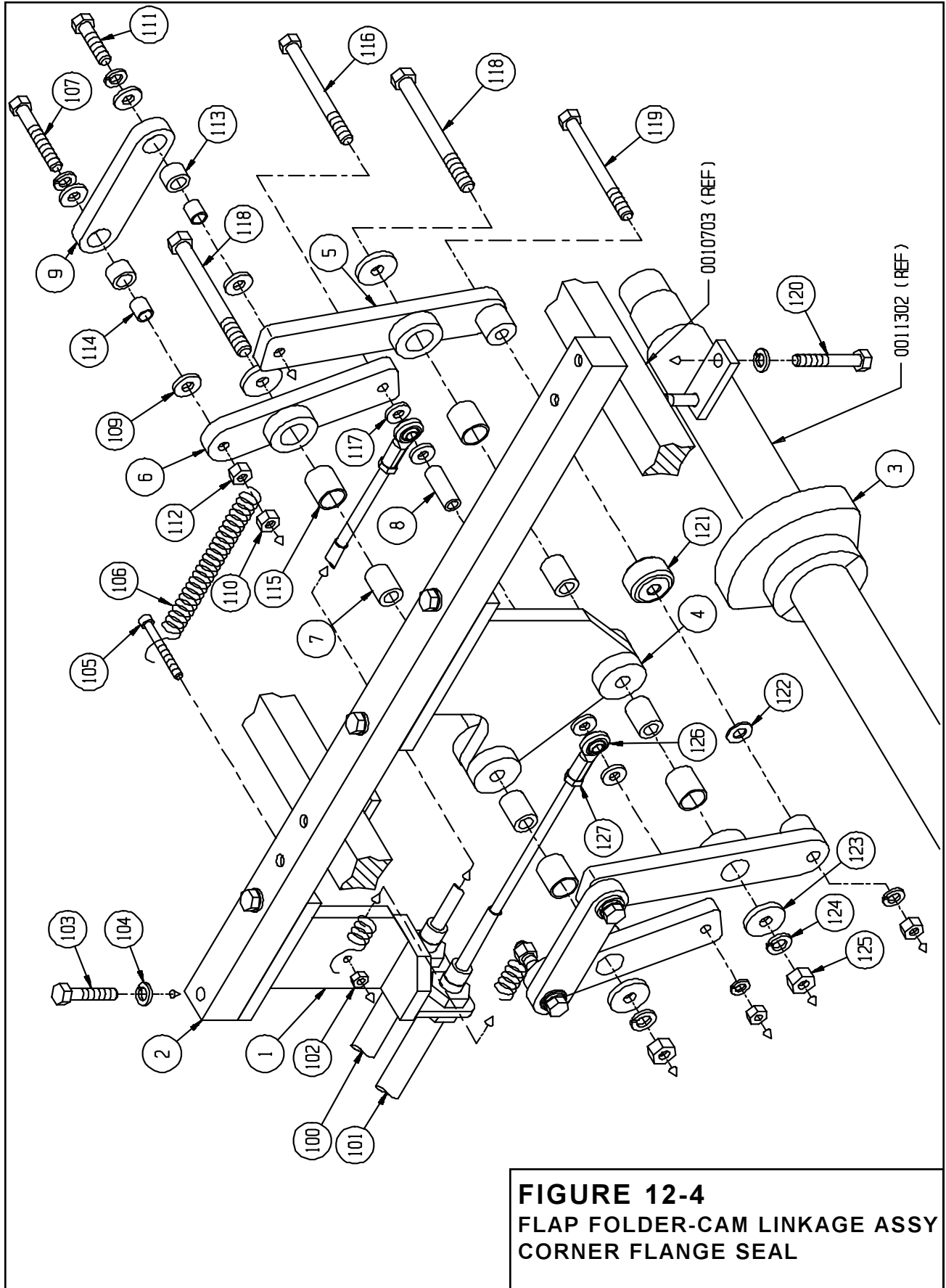
ITEM	PART NO.	DESCRIPTION	QTY.
1	0096400	BRACKET, CABLE	1
2	0094300	BAR, BRACKET MOUNT	1
3	0092000	CAM	1
4	0094600	BRACKET, FLAP FOLDER	1
5	0094700	PIVOT ARM BRACKET-REAR	2
6	0094801	PIVOT ARM BRACKET	2
7	0203000	BUSHING	4
8	0203700	BUSHING	4
9	0051502	LINK, FLAP LEVER	2
100	0090501	3/8 CABLE, 3-84	1
101	0090502	3/8 CABLE, 3-96 S.B.	1
*	0096600	3/8 CABLE, 3-120 W.B.	1
102	8024300	1/4-20 STD HEX NUT	1
103	8010300	3/8-16 HEX HD CAP SCR X 1 3/4 LG	4
104	9036800	3/8 STD LOCK WASHER	13
105	8032100	1/4-20 SCKT HD CAP SCR X 2 1/4 LG	1
106	1202700	SPRING	2
107	8010600	3/8-16 HEX HD CAP SCR X 2 1/2 LG	2
109	1500200	WASHER	12
110	8024500	3/8-16 STD HEX NUT	3
111	8010200	3/8-16 HEX HD CAP SCR X 1 1/2 LG	2
112	8025700	3/8-16 FIBER LOCK NUT	2
113	0209600	BUSHING-BRONZE	4
114	0200800	BUSHING	4
115	0200100	BUSHING-BRONZE	4
116	8011100	3/8-16 HEX HD CAP SCR X 4 LG	1
117	1501600	WASHER	4
118	8013000	7/16-14 HEX HD CAP SCR X 4 1/2 LG	2
119	8011100	3/8-16 HEX HD CAP SCR X 4 LG	1
120	8010200	3/8-16 HEX HD CAP X 2 1/2 LG	4
121	0500700	1 3/8" BEARING	1
122	8035900	3/8 SAE FLAT WASHER	1
123	1500600	WASHER	4
124	8036900	7/16 STD LOCK WASHER	2
125	8024600	7/16-14 STD HEX NUT	2
126	0501001	3/8 ROD END	2
127	8023200	3/8-24 STD HEX NUT	2

\* Not Shown

*Option Parts & Illustrations*



# Tray Box Former



**FIGURE 12-4**  
FLAP FOLDER-CAM LINKAGE ASSY  
CORNER FLANGE SEAL

*Option Parts & Illustrations*

# Tray Box Former



**FIGURE 12-5**  
**CABLE STOP BRACKET ASSEMBLY**  
**CFS-4" FLANGE OR LESS**

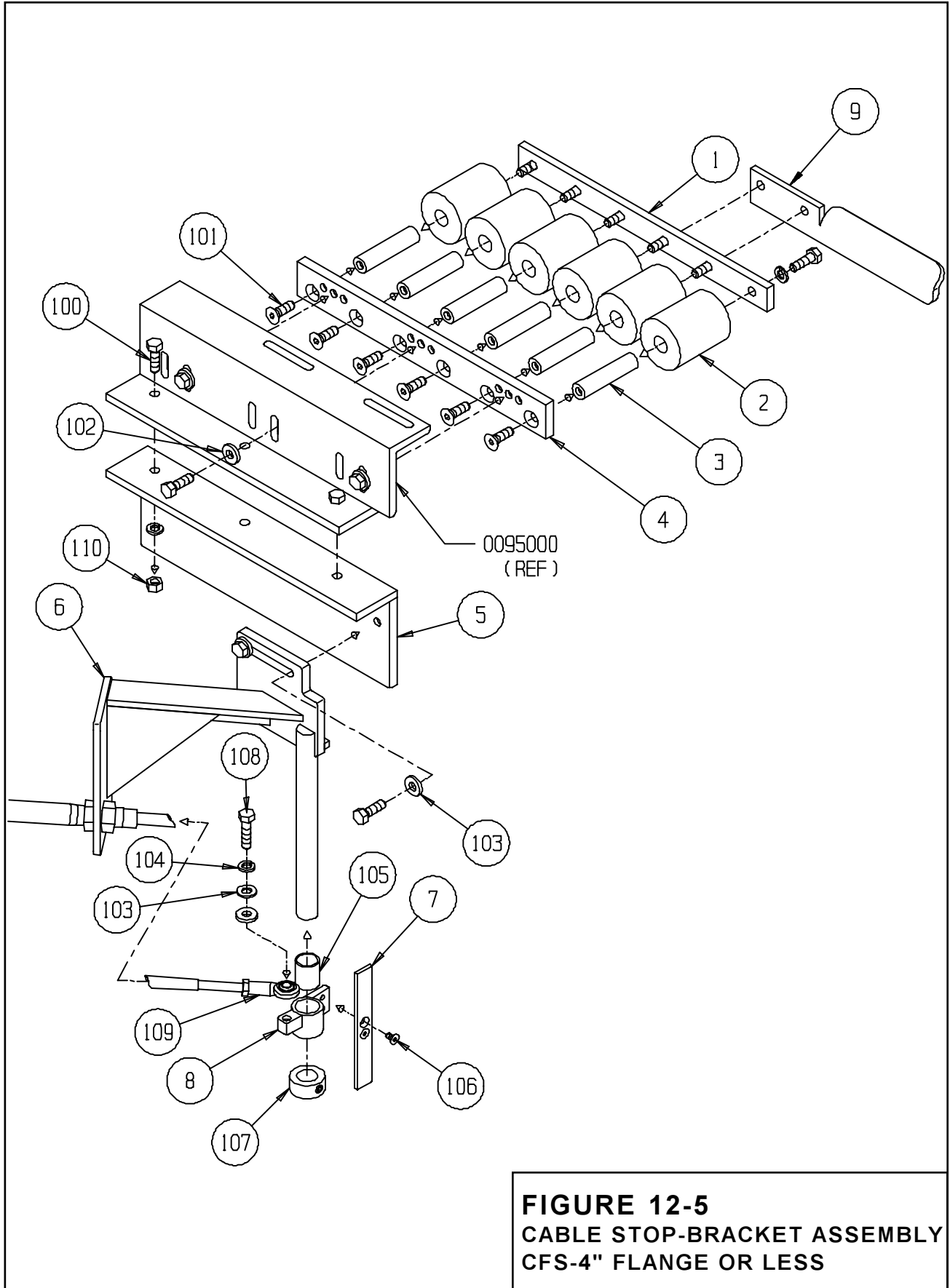
ITEM	PART NO.	DESCRIPTION	QTY.
1	0091300	BAR, ROLLER MOUNT	4
2	0090800~	ROLLER, HORIZONTAL	24
*	0090801~	ROLLER, HORIZONTAL	24
3	0090700~	AXLE, ROLLER	24
*	0090701~	AXLE, ROLLER	24
4	0091400	BAR, INSIDE ROLLER MOUNT	4
5	0096000R/L~	WELDMT, STOP SUPPORT	2/2
*	0096001R/L~	WELDMT, STOP SUPPORT	2/2
*	0096002R/L~	WELDMT, STOP SUPPORT	2/2
6	0095900R/L	BRACKET, CABLE STOP MOUNT	1/1
7	0092800~	VERTICAL STOP	2
8	0096100R/L	STOP	1/1
9	2110500R/L~	BLADE, FLAP GUIDE	2/2
100	8008300	5/16-18 HEX HD CAP SCR X 1	44
101	8004800	5/16-18 SCKT FLT HD SCR X 1	20
102	1501100	WASHER	18
103	8035800	5/16 SAE FLAT WASHER	18
104	8036700	5/16 STD LOCK WASHER	46
105	0200100	BUSHING	2
106	8004000	#10-32 SCKT FLT HD SCR X 3/8	4
107	0100500	3/4" SET COLLAR	4
108	8008400	5/16-18 HEX HD CAP SCR X 1 1/4	2
109	0501002	5/16 ROD END	2
110	8023100	5/16-24 HEX HD NUT	2

\* NOT SHOWN

~ VARIABLE PART



# Tray Box Former



**FIGURE 12-5**  
CABLE STOP-BRACKET ASSEMBLY  
CFS-4" FLANGE OR LESS

*Option Parts & Illustrations*

# Tray Box Former



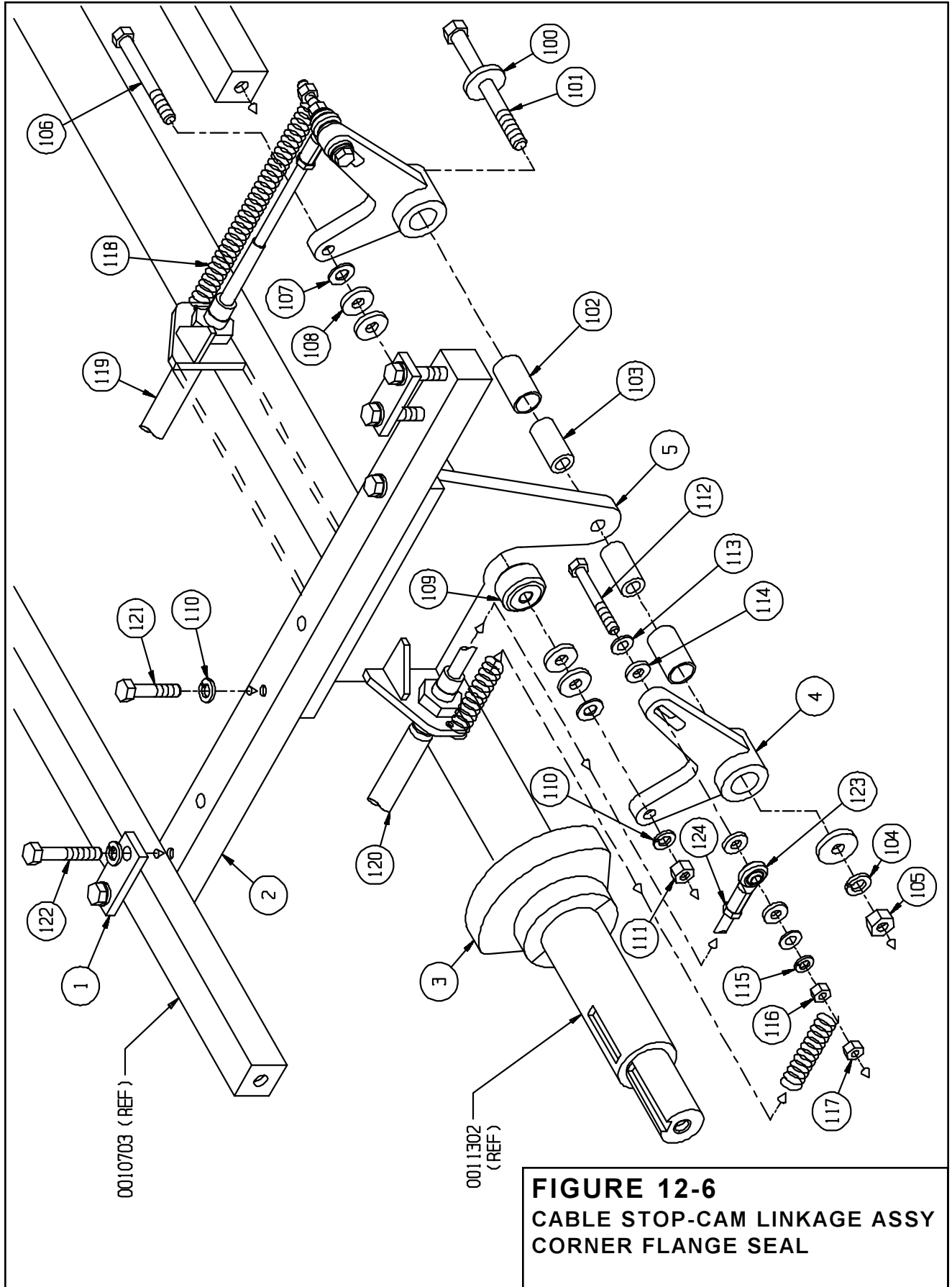
**FIGURE 12-6**  
**CABLE STOP CAM LINKAGE**  
**CORNER FLANGE SEAL**

ITEM	PART NO.	DESCRIPTION	QTY.
1	0012801	CLAMP	2
2	0061501	BAR, LOWER MOUNT	1
3	0092000	CAM	1
4	0061000	WELDMT, CABLE PULL LEVER	2
5	0095800	BRACKET, LEVER	1
100	1500600	WASHER	2
101	8013000	7/16-14 HEX HD CAP SCR X 4 1/2	1
102	0209200	BEARING, SLEEVE	2
103	0074300	BUSHING, LEVER	2
104	8036900	7/16 STD LOCK WASHER	1
105	8024600	7/16-14 STD HEX NUT	1
106	8010900	3/8-16 HEX HD CAP SCR X 3 1/4	1
107	8035900	3/8 SAE FLAT WASHER	2
108	1500101	WASHER	4
109	0500700	1 3/8 BEARING	1
110	8036800	3/8 STD LOCK WASHER	7
111	8024500	3/8-16 STD HEX NUT	1
112	8008800	5/16-18 HEX HD CAP SCR X 2 1/4	1
113	8035800	5/16 SAE FLAT WASHER	4
114	1501100	WASHER	6
115	8036700	5/16 STD LOCK WASHER	2
116	8024400	5/16-18 STD HEX NUT	2
117	8025600	5/16-18 FIBER LOCK NUT	2
118	1202700	SPRING	2
119	0090600	5/16 CABLE, 2-120	1
120	0056100	5/16 CABLE, 2-90	1
121	8010300	3/8-16 HEX HD CAP SCR X 1 3/4	4
122	8010900	3/8-16 HEX HD CAP SCR X 3 1/4	2
123	0501002	5/16 ROD END	2
124	8023100	5/16-24 STD HEX NUT	2

*Option Parts & Illustrations*



# Tray Box Former



*Option Parts & Illustrations*

# Tray Box Former



**FIGURE 12-7**  
**STRIPPER MOUNT ASSEMBLY**  
**CFS-4" FLANGE OR LESS**

ITEM	PART NO.	DESCRIPTION	QTY.
1	0092501~	PLATE, STRIPPER	2
*	0092500~	PLATE, STRIPPER	2
*	0092502~	PLATE, STRIPPER	2
2	0092700~	STANDOFF	8
*	0092701~	STAND OFF	8
3	0095701~	WELDMT, ACUATOR	4
*	0095700~	WELDMT, ACTUATOR	4
4	0092600~	ACTUATOR	4
*	0092601~	ACTUATOR	4
5	0091500	SUPPOT, SHOE	2
6	0093000	SPACER, BOX FORMING	6
7	0092900	SHOE, BOX FORMING	2
8	0092100	PLOW, CENTER	2
9	00951100	MOUNT, CENTER SHOE	2
10	00951102	PLATE, MOUNTING SHOE	2
11	00951101	PLATE, MOUNTING BAR	2
12	2110700~	PLATE, ROLLER BRACE	2
101	8006900	1/4-20 HEX HD CAP SCR X 3/4 LG	16
102	8036600	1/4 STD LOCK WASHER	16
103	8035700	1/4 SAE FLAT WASHER	16
104	1200300	SPRING	4
105	0700202	7/32 ROLL PIN X 1 1/4 LG	4
106	8008400	5/16-18 HEX HD CAP SCR X 1 1/4 LG	10
107	8036700	5/16 STD LOCK WASHER	30
108	8024400	5/16-18 STD HEX NUT	20
109	8004800	5/16-18 SCKT FLAT HD SCR X 1 LG	18

\* NOT SHOWN

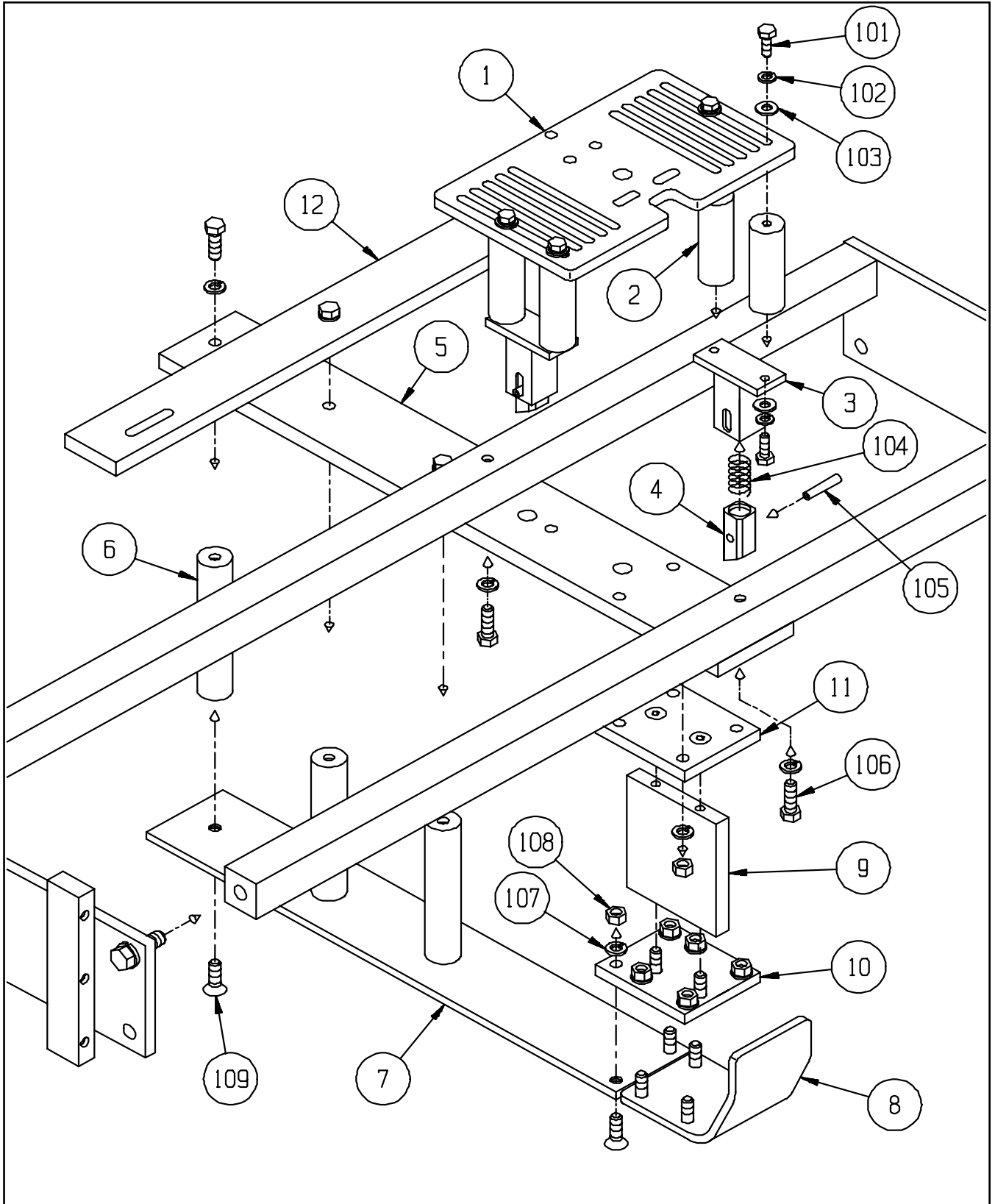
~ VARIABLE PART

*Option Parts & Illustrations*





# Tray Box Former



**FIGURE 12-7**  
STRIPPER MOUNT ASSEMBLY  
CFS-4" FLANGE OR LESS

*Option Parts & Illustrations*

# Tray Box Former



**FIGURE 12-8**  
**ELEVATED MANDREL ASSEMBLY**  
**CFS-4" FLANGE OR LESS**

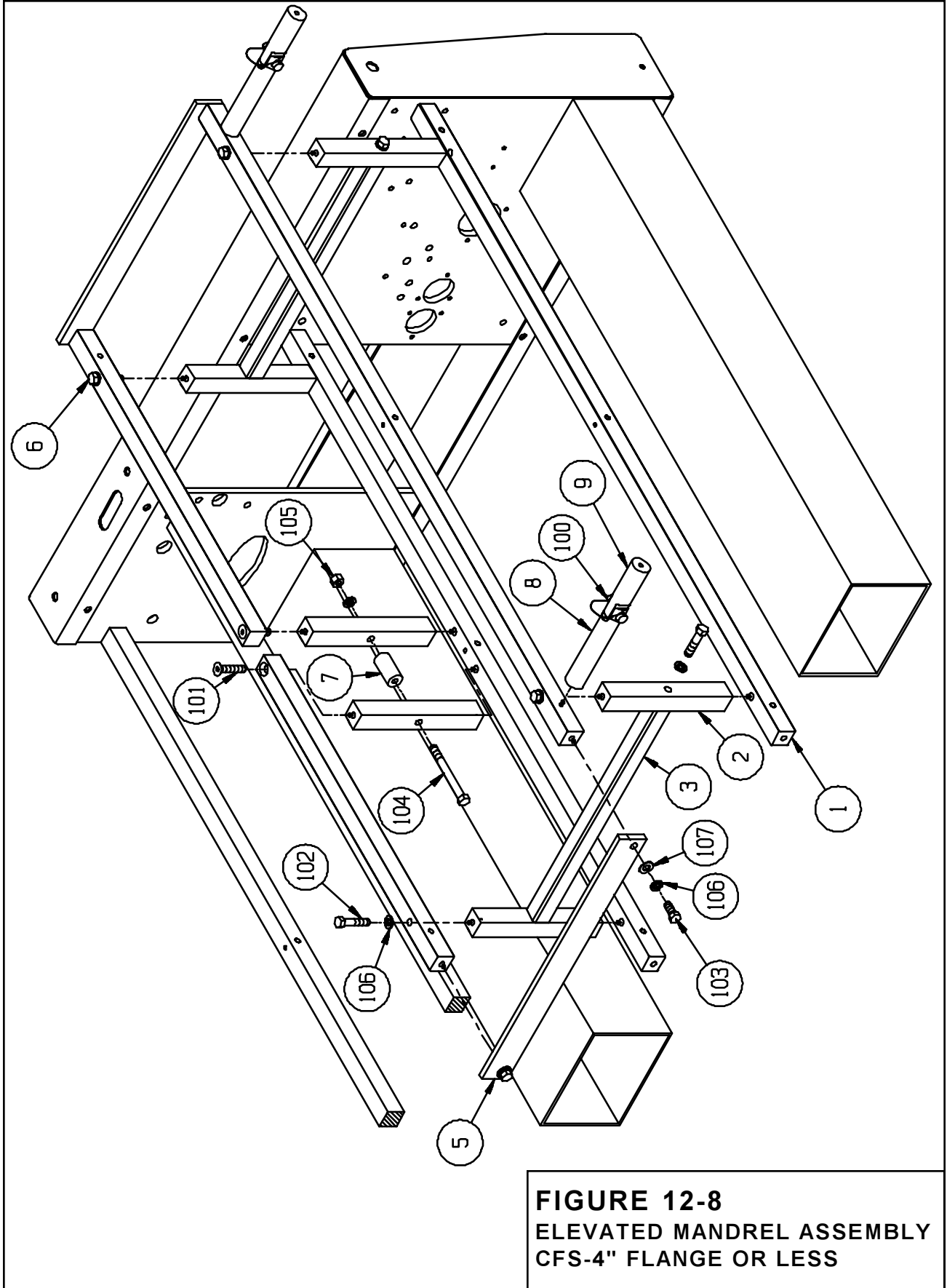
ITEM	PART NO.	DESCRIPTION	QTY.
1	0010703~	SPREADER, FRAME-S.B	3
*	0010705~	SPREADER, FRAME-W.B.	3
2	2109700	POST-4" FLANGE OR LESS	6
3	2109900	SPACER BAR	2
5	2110000	PLATE BAR	2
6	2110100~	SPREADER , REAR FRAME-S.B.	2
*	2110101~	SPREADER, REAR FRAME-W.B.	2
7	2110300	SPACER	1
8	0094500	GUARD, HING FEMALE	REF
9	0094400	GUARD, HINGE MALE	REF
100	1809500	SNAPPER LINCH PIN, HINGE	REF
101	8006500	7/16-14 SCKT FLT HD SCR X 2	2
102	8012100	7/16-14 HEX HD CAP SCR X 2	12
103	8011700	7/16-14 HEX HD CAP SCR X 1	4
104	8013200	7/16-14 HEX HD CAP SCR X 5	1
105	8024600	7/16-14 HEX NUT	1
106	8036900	7/16 LOCK WASHER	17
107	8036000	7/16 FLAT WASHER	4

\* NOT SHOWN

~ VARIABLE PART



# Tray Box Former



*Option Parts & Illustrations*

# Tray Box Former

---



**THIS PAGE IS BLANK**