



14.0 Option Parts & Illustrations

INTRODUCTION

This section lists and illustrates the replaceable assemblies and parts of the Tray Box Former as manufactured by W. E. Plemons Machinery Services, Inc. Each parts list contains the component parts for that assembly.

14.1 Index

FIGURE / DESCRIPTION

FIGURE 14-1

CHAIN ATTACHMENT ASSEMBLY
CORNER FLANGE SEAL-4" TO 10"

FIGURE 14-2

COMPRESSION CHAMBER ASSEMBLY
CORNER FLANGE SEAL

FIGURE 14-2A

UPPER COMPRESSION ASSEMBLY
CORNER FLANGE SEAL-KWIK CHANGE-OPTIONAL

FIGURE 14-3

MAIN ROTATION ASSEMBLY
CORNER FLANGE SEAL-4" TO 10"

FIGURE 14-4

FLAP FOLDER CAM- LINKAGE ASSEMBLY
CORNER FLANGE SEAL

FIGURE 14-5

CABLE STOP-BRACKET ASSEMBLY
CORNER FLANGE SEAL-4" TO 10"

FIGURE 14-6

CABLE STOP-CAM LINKAGE ASSEMBLY
CORNER FLANGE SEAL

FIGURE 14-7

STRIPPER MOUNT ASSEMBLY
CORNER FLANGE SEAL-4" TO 10"

FIGURE 14-8

ELEVATED MANDREL ASSEMBLY
CORNER FLANGE SEAL-4" TO 10"

14.2 Illustrated Parts

See Next Page

Tray Box Former



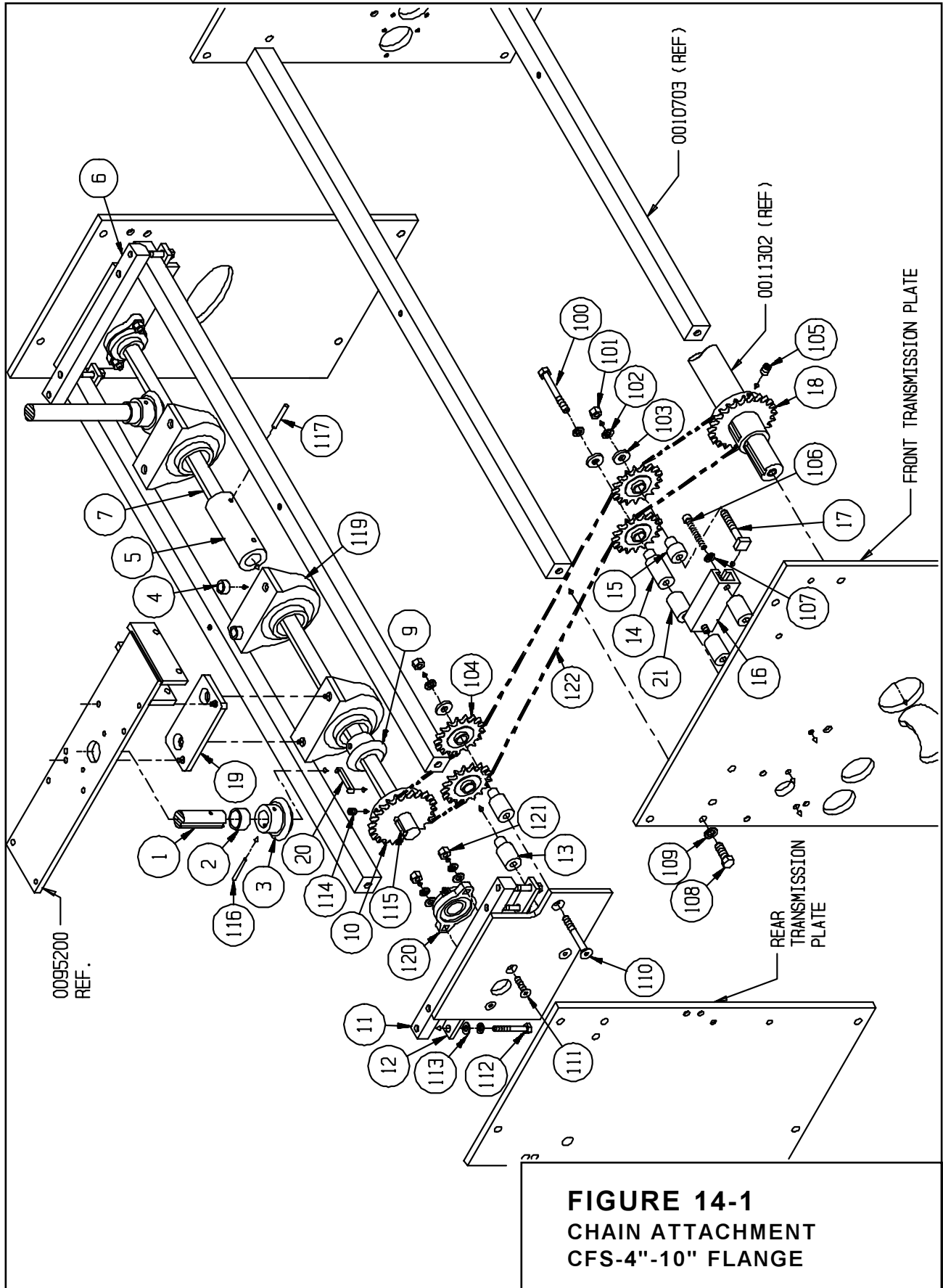
FIGURE 14-1
CHAIN ATTACHMENT ASSEMBLY
CFS-4" TO 10" FLANGE

ITEM	PART NO.	DESCRIPTION	QTY.
1	0094100	SHAFT, MAIN ROTATION	2
2	0094200	SPACER, MAIN ROTATION	2
3	0085100	GEAR, TOP COMPRESSION ADJ	2
4	0203101	BUSHING, FLANGE BEARING	2
5	0094000	COUPLING	1
6	0096200	HANGER, SHAFT RH	1
7	0093300	SHAFT, HORIZONTAL	2
9	0093400	GEAR, BEVEL	2
10	0041000	SPROCKET, 1.00 BORE	1
11	0096300	HANGER, SHAFT LH	1
12	0012801	CLAMP	4
13	0093700	AXLE, IDLER PLATE SPROCKET	2
14	0093800	AXLE, IDLER TRANS SPROCKET	1
15	0093900	AXLE, IDLER ADJ SPROCKET	1
16	0093500	IDLER ADJUSTMENT	1
17	0093600	IDLER BOLT	1
18	0093200	SPROCKET, 1 7/8 BORE	1
19	2110400	MOUNT, BEARING	2
20	2106500	KEY FOLLOWER	2
21	9063700	SPACER, IDLER SPROCKET	3
100		3/8-16 HEX HD CAP SCR X 3 1/4 LG	1
101		3/8-16 STD HEX NUT	3
102		3/8 STD LOCK WASHER	4
103	1500200	WASHER	4
104	0300101	IDLER SPROCKET	4
105		7/16-14 CUP PT SET SCR X 5/8 LG	1
106		5/16-18 SCKT HD CAP SCR X 3/4 LG	2 1/2
107		5/16 STD LOCK WASHER	14
108		7/16-14 HEX HD CAP SCR X 1 1/4 LG	8
109		7/16 STD LOCK WASHER	8
110		3/8-16 SCKT FLT HD SCR X 3 LG	2
111		5/16-18 SCKT FLT HD SCR X 1 1/4 LG	4
112		5/16-18 HEX HD CAP SCR X 2 1/4 LG	8
113		5/16 SAE FLAT WASHER	12
114		5/16-18 CUP PT SET SCR X 1/2 LG	6
115	0900301	KEY, 1/4 X 1/4	3
116	0700600	ROLL PIN, 3/16 DIA.	2
117	0700400	ROLL PIN, 1/4 DIA.	2
119	0502300	BEARING, 1 3/4" DIA.	3
120	0501200	BEARING, 1" DIA.	2
121		5/16-18 STD HEX NUT	4
122	0800211	#40 CHAIN	1

Option Parts & Illustrations



Tray Box Former



Option Parts & Illustrations

Tray Box Former



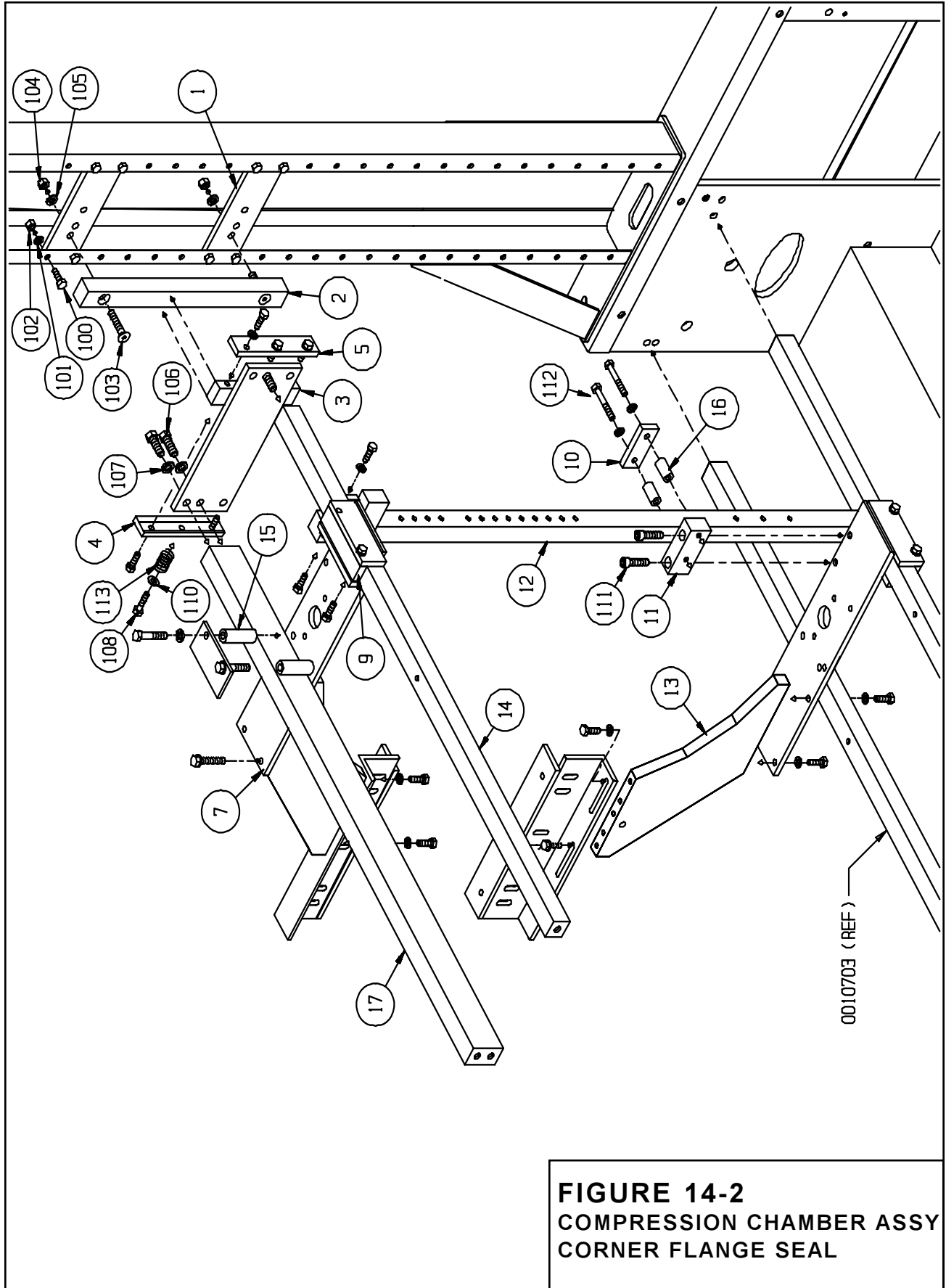
FIGURE 14-2
COMPRESSION CHAMBER ASSEMBLY
CORNER FLANGE SEAL

ITEM	PART NO.	DESCRIPTION	QTY.
1	0028700	BRACKET, FORM SHOE	4
2	0029001	BAR, FORM SHOE SIDE	2
3	0094900	MOUNT, HORIZONTAL BAR-S.B	2
	9058400	MOUNT, HORIZONTAL BAR-W.B	2
4	0028800	PLATE, BAR CLAMP	2
5	0028801	PLATE, BAR CLAMP	2
6	0090901	PLATE, CLAMPING-S.B.	2
	0090900	PLATE, CLAMPING-W.B.	2
7	0095200R/L	SHOE, MOUNTING	2/2
8	0095000R/L	ANGLE, ROLLER MOUNT	2/2
9	0034100	BAR, CLAMP	4
10	0091000	PLATE, VERTICLE MOUNT	4
11	0091200	BLOCK, PLOW MOUNT	4
12	00916--	BAR, VERTICLE SUPPORT	2
13	9057500	BAR, ANGLE MOUNT	4
14	0091700	BAR, UPPER SUPPORT-S.B.	2
	0091701	BAR, UPPER SUPPORT-W.B.	2
15	0209300	BUSHING, HORIZONTAL MT.-S.B.	8
	0091800	BUSHING, HORIZONTAL MT.-W.B.	4
16	0209400	BUSHING, VERTICAL BAR	8
100		5/16-18 HEX HD CAP SCR X 1 LG	54
101		5/16 STD LOCK WASHER	54
102		5/16-18 STD HEX NUT	16
103		3/8-16 SCKT FLT HD SCR X 2 LG	4
104		3/8-16 STD HEX NUT	4
105		3/8 STD LOCK WASHER	8
106		7/16-14 HEX HD CAP SCR X 1 1/4 LG	4
107		7/16 STD LOCK WASHER	4
108		5/16-18 HEX HD CAP SRC X 1 3/4 LG	2
109		3/8-16 HEX HD CAP SCR X 2 LG	8
110		5/16 SAE FLAT WASHER	2
111		3/8-16 SCKT HD CAP SCR X 1 1/2 LG	4
112		5/16-18 HEX HD CAP SCR X 2 1/4 LG	8
113	1200800	SPRING	2

Option Parts & Illustrations



Tray Box Former



Option Parts & Illustrations

Tray Box Former



FIGURE 14-2A
UPPER COMPRESSION ASSEMBLY
CORNER FLANGE SEAL
KWIK CHANGE-OPTIONAL

ITEM	PART NO.	DESCRIPTION	QTY.
1	0085300	SHAFT, TOP COMP ADJ-W.B.	1
	0085301	SHAFT, TOP COMP ADJ-S.B.	1
2	0091702	BAR, TOP COMP SUPPORT-W.B.	1
	0085201	BAR, TOP COMP SUPPORT-S.B.	1
3	0085100	GEAR, TOP COMP ADJ	2
4	0085800R/L	PLATE, TOP COMP SUPPORT	1/1
5	0085400R/L	SCREW, TOP COMP ADJ	1/1
6	0085900	BAR, TOP COMP PLATE GUIDE	2
7	0086300	BRACKET, BAR GUIDE MOUNT	6
8	0086100	STRIP WEAR	4
9	0086500	BAR, GIB HOLDER	4
10	0090100	SPACER, SUPPORT TOP COMP	2
11	0090200R/L	SPACER, SUPPORT TOP COMP	1/1
12	0087200	BAR, COMP FRONT SUPPORT-W.B	1
	0087201	BAR, COMP FRONT SUPPORT-S.B	1
13	0043003	AXLE, IDLE SPROCKET	1
100	0207700	BUSHING	4
101	0100700	1" SET COLLAR	1
102	0700503	RIVOT	8
103		3/8-16 STD HEX NUT	6
104		3/8 STD LOCK WASHER	18
105		3/8-16 SCKT FLT HD X 1 1/2 SCR	6
106		1/4" X 1 5/8" LG ROLL PIN	2
108	0502200	CAM ROLLER	2
109		1/2 SAE FLT WASHER	2
110		1/2-20 HALF HEX NUT	2
111		3/8-16 HEX HD CAP SCR X 1 1/4	4
112		3/8-16 HEX HD CAP SCR X 1	8
113		3/8-16 SCKT FLT HD SCR X 1 3/4	1
114	0300101	IDLE SPROCKET	1
115	1501800	WASHER	1
116		3/8-16 SCKT FLT HD SCR X 3/4	1
117	0087600	WASHER, THRUST	2
118	1501400	WASHER	1

Option Parts & Illustrations



Tray Box Former

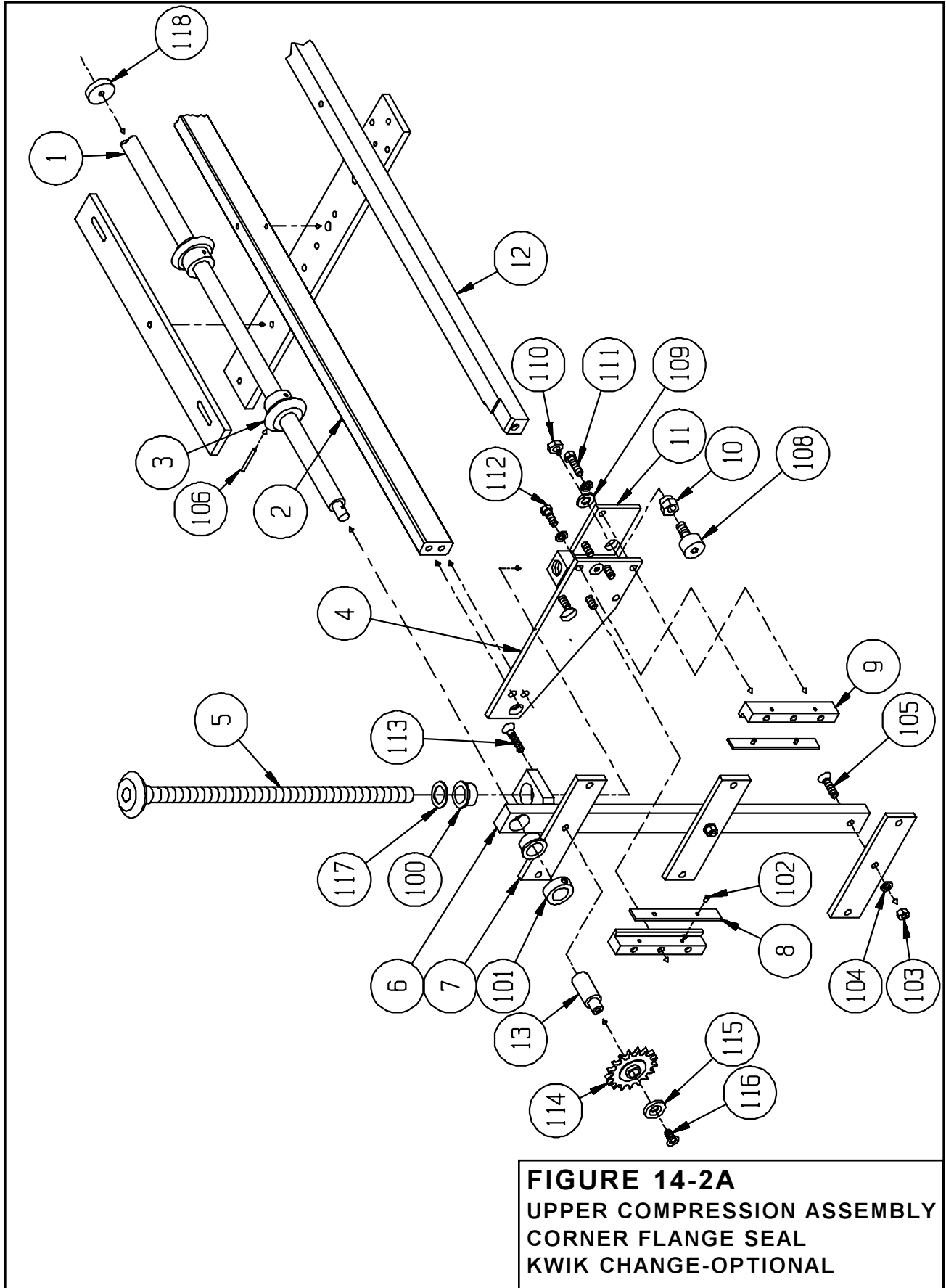


FIGURE 14-2A
UPPER COMPRESSION ASSEMBLY
CORNER FLANGE SEAL
KWIK CHANGE-OPTIONAL

Option Parts & Illustrations

Tray Box Former



FIGURE 14-3
MAIN ROTATION ASSEMBLY
CFS-4" TO 10" FLANGE

ITEM	PART NO.	DESCRIPTION	QTY.
1	0094101	SHAFT, MAIN ROTATION	2
2	9063600	PLATE, PLOW ROTATION	4
3	0091901	ROLLER, VERTICAL	4
4	0099700	ROD END	2
5	0095500	PIVOT, FLAP	2
6	0092302R/L	PLOW, ROTATING	2/2
7	0092400	FLAP, VERTICAL	2
8	0095600R/L	MOUNT, CABLE	1/1
9	9057800R/L	PLOW, COMBINATION	2/2
10	0095300	PLOW, VERTICAL	2
11	0093100	SHAFT, ROLLER	4
100	0501200	1" FLANGE BEARING	4
101	0100700	1" SET COLLAR	6
102	0205700	BUSHING, BRONZE	4
103	0203500	BUSHING	8
104	0204600	BUSHING	4
105	0502400	ROLLER BEARING	4
106		KEY, 1/4 X 1/4 X 3/4 LG	4
107	1202700	SPRING	2
108	1502100	WASHER	4

Hardware Not Shown



Tray Box Former

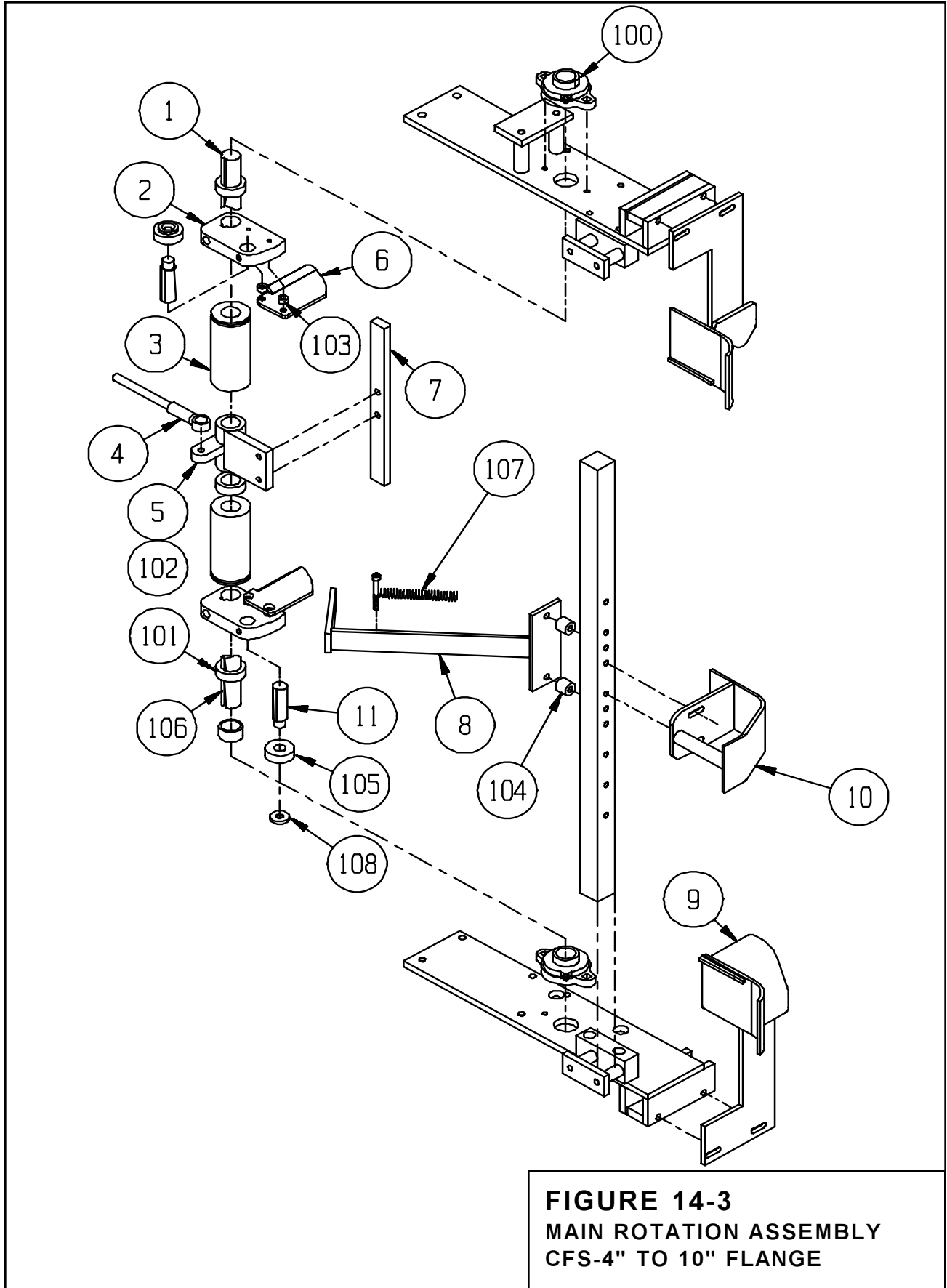


FIGURE 14-3
MAIN ROTATION ASSEMBLY
CFS-4" TO 10" FLANGE

Option Parts & Illustrations

Tray Box Former



FIGURE 14-4
FLAP FOLDER-CAM LINKAGE ASSY
CORNER FLANGE SEAL

ITEM	PART NO.	DESCRIPTION	QTY.
1	0096400	BRACKET, CABLE	1
2	0094300	BAR, BRACKET MOUNT	1
3	0092000	CAM	1
4	0094600	BRACKET, FLAP FOLDER	1
5	0094700	PIVOT ARM BRACKET-REAR	2
6	0094801	PIVOT ARM BRACKET	2
7	0203000	BUSHING	4
8	0203700	BUSHING	4
9	0051502	LINK, FLAP LEVER	2
100	0090501	3/8 CABLE, 3-84	1
101	0090502	3/8 CABLE, 3-96	1
102		1/4-20 STD HEX NUT	1
103		3/8-16 HEX HD CAP SCR X 1 3/4 LG	4
104		3/8 STD LOCK WASHER	13
105		1/4-20 SCKT HD CAP SCR X 2 1/4 LG	1
106	1202700	SPRING	2
107		3/8-16 HEX HD CAP SCR X 2 1/2 LG	2
109	1500200	WASHER	12
110		3/8-16 STD HEX NUT	3
111		3/8-16 HEX HD CAP SCR X 1 1/2 LG	2
112		3/8-16 FIBER LOCK NUT	2
113	0209600	BUSHING-BRONZE	4
114	0200800	BUSHING	4
115	0200100	BUSHING-BRONZE	4
116		3/8-16 HEX HD CAP SCR X 4 LG	1
117	1501600	WASHER	4
118		7/16-14 HEX HD CAP SCR X 4 1/2 LG	2
119		3/8-16 HEX HD CAP SCR X 4 LG	1
120		3/8-16 HEX HD CAP X 2 1/2 LG	4
121	0500700	1 3/8" BEARING	1
122		3/8 SAE FLAT WASHER	1
123	1500600	WASHER	4
124		7/16 STD LOCK WASHER	2
125		7/16-14 STD HEX NUT	2
126	0501001	3/8 ROD END	2
127		3/8-24 STD HEX NUT	2

Option Parts & Illustrations



Tray Box Former

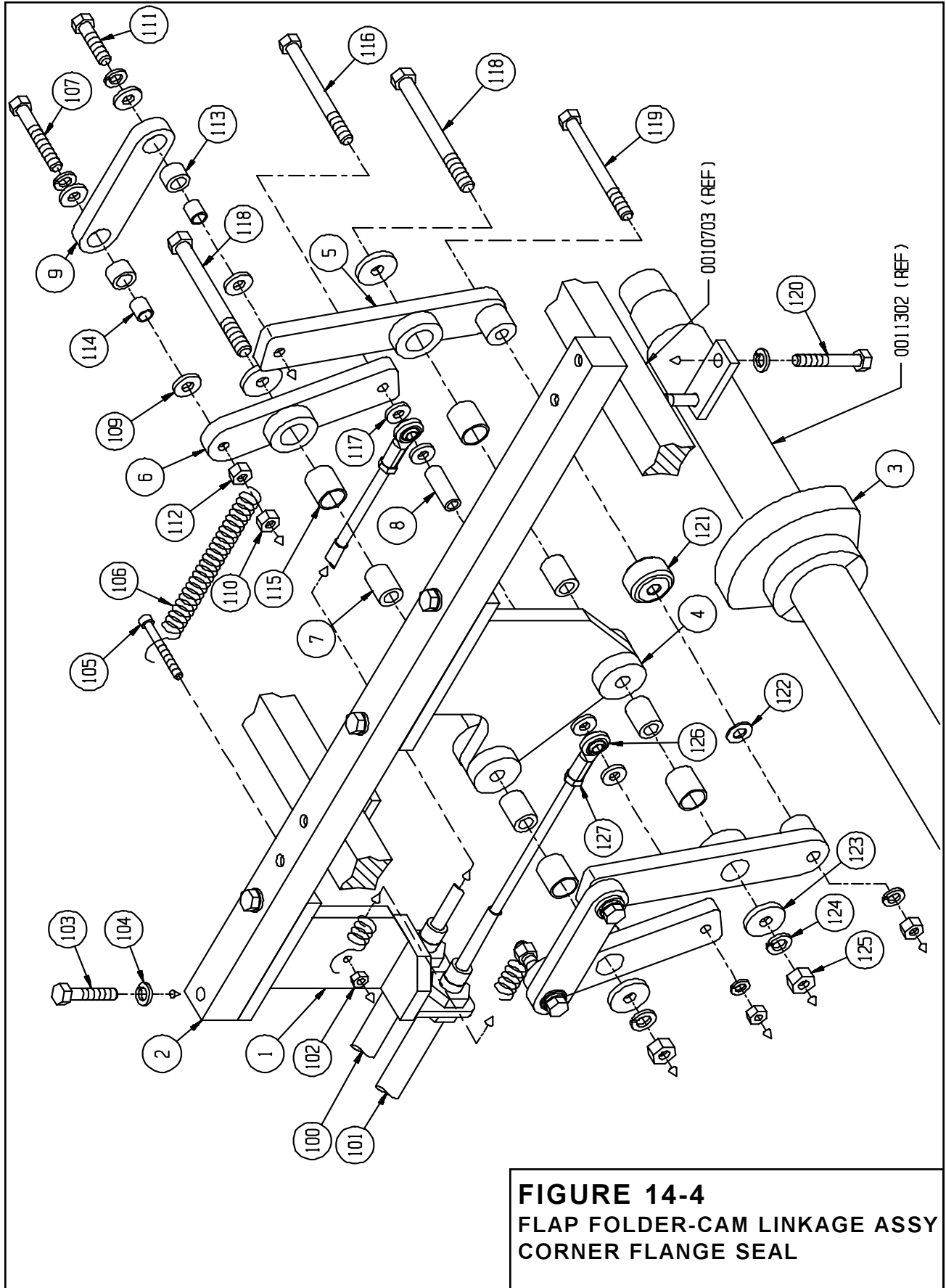


FIGURE 14-4
FLAP FOLDER-CAM LINKAGE ASSY
CORNER FLANGE SEAL

Option Parts & Illustrations

Tray Box Former

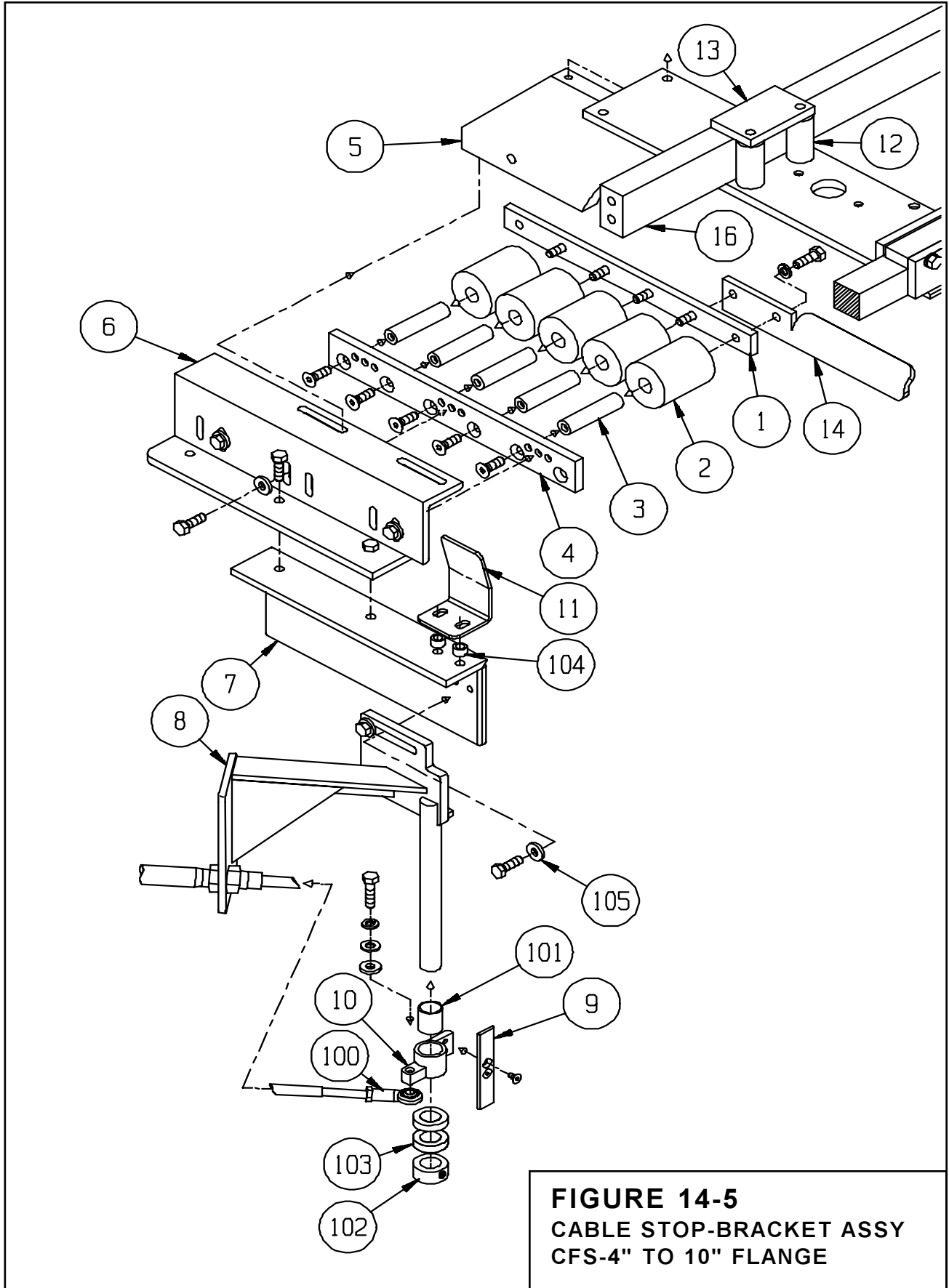


FIGURE 14-5
CABLE STOP BRACKET ASSEMBLY
CFS-4" TO 10" FLANGE

ITEM	PART NO.	DESCRIPTION	QTY.
1	0091300	BAR, ROLLER MOUNT	4
2	0090800	ROLLER, HORIZONTAL	24
3	0090700	AXLE, ROLLER	24
4	0091400	BAR, INSIDE ROLLER MOUNT	4
5	9057500	PLATE, COMP ROLLERS	4
6	0095000R/L	ANGLE, ROLLER MOUNT	2/2
7	0096001R/L	WELDMT, STOP SUPPORT	2/2
8	0095900R/L	BRACKET, CABLE STOP MOUNT	1/1
9	0092800	VERTICAL STOP	2
10	0096100R/L	STOP	1/1
11	9050400	SECONDARY FLAP GUIDE	4
12	0091800	SPACER-W.B.	4
13	0090900	PLATE, CLAMPING	2
14	9057600R/L	FLAP, GUIDE	2/2
16	9058300	BAR, SPREADER	1
100	0501002	5/16 ROD END	2
101	0200100	BUSHING	2
102	0100500	3/4" SET COLLAR	2
103	0205200	BUSHING	4
104	0203500	BUSHING	8
105	1501100	WASHER	22



Tray Box Former



Option Parts & Illustrations

Tray Box Former



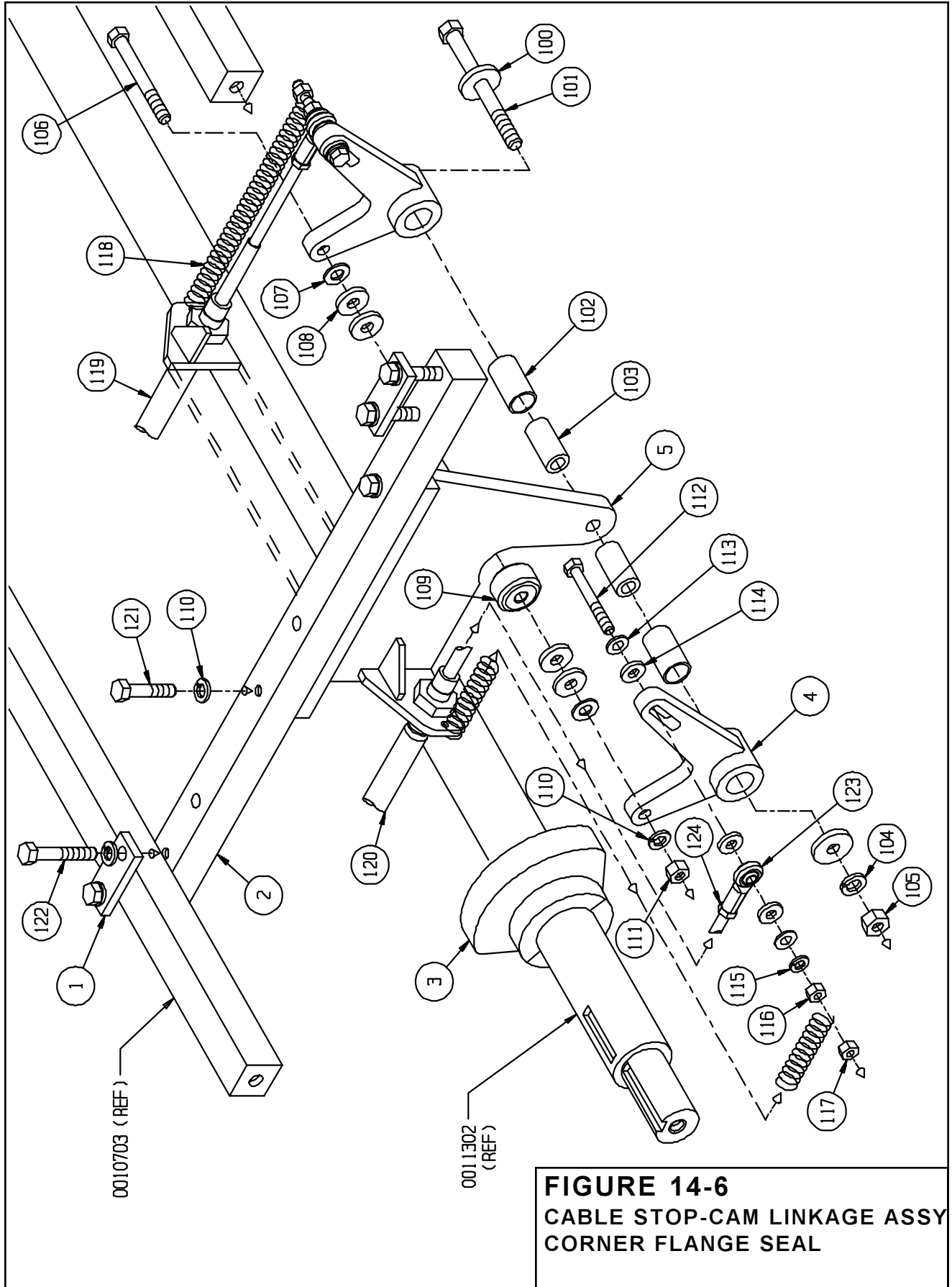
FIGURE 14-6
CABLE STOP CAM LINKAGE
CORNER FLANGE SEAL

ITEM	PART NO.	DESCRIPTION	QTY.
1	0012801	CLAMP	2
2	0061501	BAR, LOWER MOUNT	1
3	0092000	CAM	1
4	0061000	WELDMT, CABLE PULL LEVER	2
5	0095800	BRACKET, LEVER	1
100	1500600	WASHER	2
101		7/16-14 HEX HD CAP SCR X 4 1/2	1
102	0209200	BEARING, SLEEVE	2
103	0074300	BUSHING, LEVER	2
104		7/16 STD LOCK WASHER	1
105		7/16-14 STD HEX NUT	1
106		3/8-16 HEX HD CAP SCR X 3 1/4	1
107		3/8 SAE FLAT WASHER	2
108	1500101	WASHER	4
109	0500700	1 3/8 BEARING	1
110		3/8 STD LOCK WASHER	7
111		3/8-16 STD HEX NUT	1
112		5/16-18 HEX HD CAP SCR X 2 1/4	1
113		5/16 SAE FLAT WASHER	4
114	1501100	WASHER	6
115		5/16 STD LOCK WASHER	2
116		5/16-18 STD HEX NUT	2
117		5/16-18 FIBER LOCK NUT	2
118	1202700	SPRING	2
119	0090600	5/16 CABLE, 2-120	1
120	9065000	5/16 CABLE, 2-102	1
121		3/8-16 HEX HD CAP SCR X 1 3/4	4
122		3/8-16 HEX HD CAP SCR X 3 1/4	2
123	0501002	5/16 ROD END	2
124		5/16-24 STD HEX NUT	2

Option Parts & Illustrations



Tray Box Former



Option Parts & Illustrations

Tray Box Former

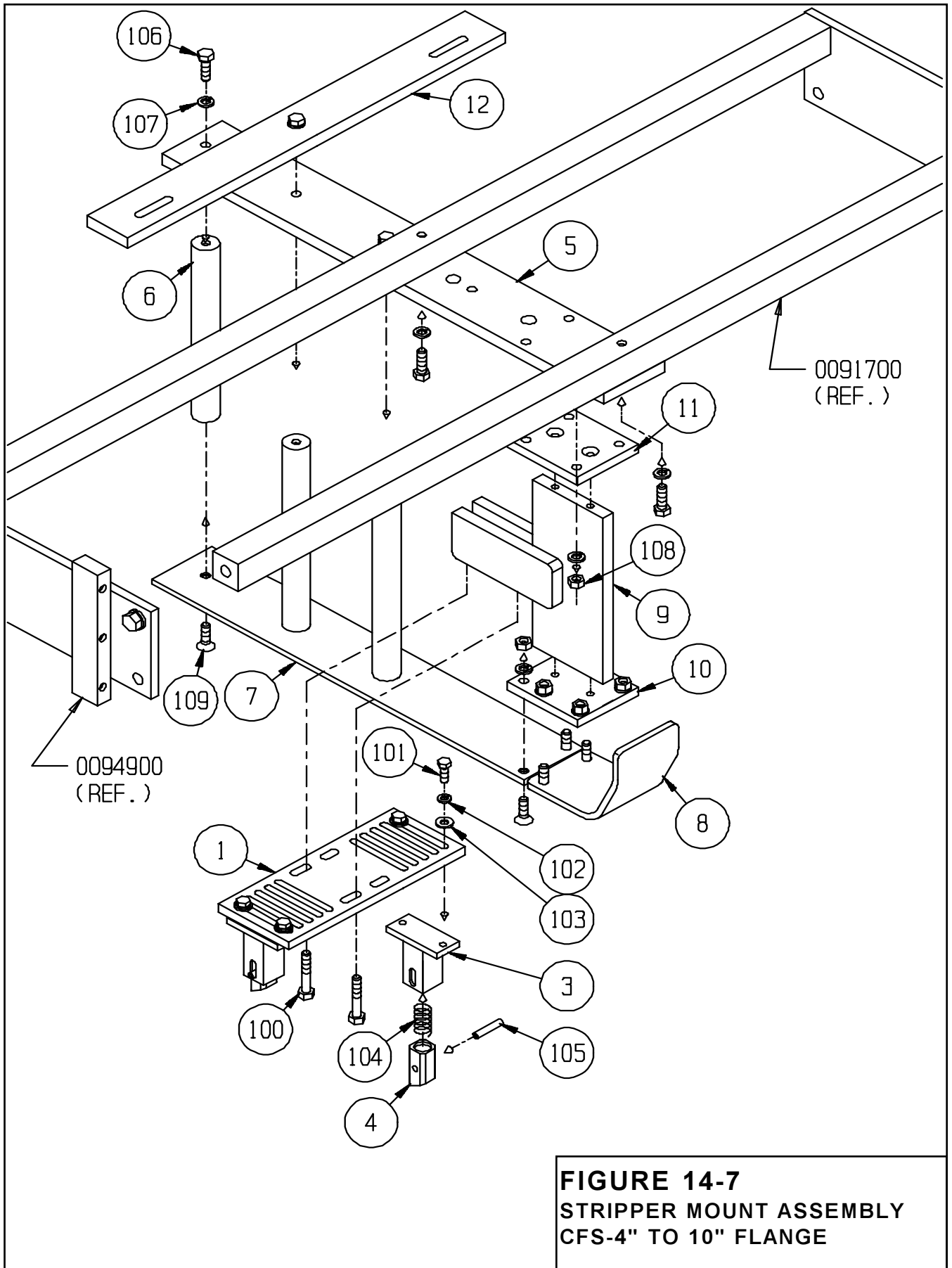


FIGURE 14-7
STRIPPER MOUNT ASSEMBLY
CFS-4" TO 10" FLANGE

ITEM	PART NO.	DESCRIPTION	QTY.
1	0092500	PLATE, MOUNT SUPPORT	2
3	0095701	WELDMT, ACUATOR	4
4	0092600	ACUATOR	4
5	0091500	SUPPORT, SHOE	2
6	9057200	STANDOFF	6
7	0092900	SHOE, BOX FORMING	2
8	0092100	PLOW. CENTER	2
9	9057100	MOUNT, CENTER SHOE	2
10	00951102	PLATE, MOUNTING SHOE	2
11	00951101	PLATE, MOUNTING BAR	2
12	2110700	PLATE, ROLLER BRACE	2
100		5/16-18 HEX HD CAP SCR X 1 3/4	8
101		1/4-20 HEX HD CAP SCR X 3/4 LG	8
102		1/4 STD LOCK WASHER	8
103		1/4 SAE FLAT WASHER	8
104	1200300	SPRING	4
105		7/32 ROLL PIN X 1 1/4 LG	4
106		5/16-18 HEX HD CAP SCR X 1 1/4 LG	10
107		5/16 STD LOCK WASHER	30
108		5/16-18 STD HEX NUT	20
109		5/16-18 SCKT FLAT HD SCR X 1 LG	18



Tray Box Former



Option Parts & Illustrations

Tray Box Former



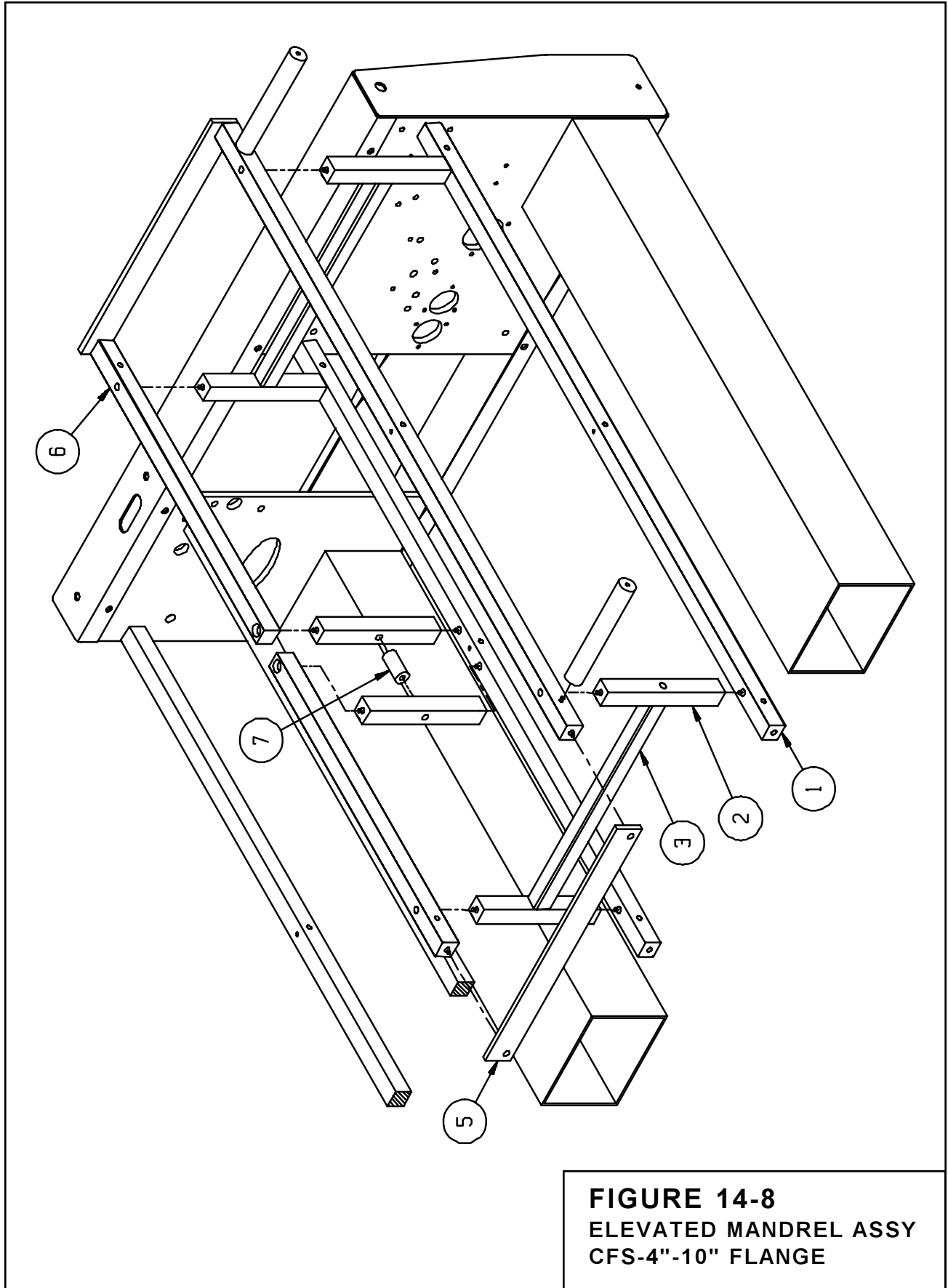
FIGURE 14-8
ELEVATED MANDREL ASSEMBLY
CFS-4" TO 10" FLANGE

ITEM	PART NO.	DESCRIPTION	QTY.
1	0010703	SPREADER, FRAME-S.B	3
	0010705	SPREADER, FRAME-W.B.	3
2	9057400	POST-4" TO 10" FLANGE	6
3	2109900	SPACER BAR	2
5	2110000	PLATE BAR	2
6	2110100	SPREADER , REAR FRAME-S.B.	2
	2110101	SPREADER, REAR FRAME-W.B.	2
7	2110300	SPACER	1

Hardware Not Shown



Tray Box Former



Option Parts & Illustrations

Tray Box Former



THIS PAGE IS BLANK

Option Parts & Illustrations