



13.0 Option Parts & Illustrations

INTRODUCTION

This section lists and illustrates the replaceable assemblies and parts of the Tray Box Former as manufactured by W. E. Plemons Machinery Services, Inc. Each parts list contains the component parts for that assembly.

13.1 Index

FIGURE / DESCRIPTION

FIGURE 13-1

CHAIN ATTACHMENT ASSEMBLY
CORNER FLANGE SEAL-4" TO 8"

FIGURE 13-2

COMPRESSION CHAMBER ASSEMBLY
CORNER FLANGE SEAL

FIGURE 13-2A

UPPER COMPRESSION ASSEMBLY
CORNER FLANGE SEAL-KWIK CHANGE-OPTIONAL

FIGURE 13-3

MAIN ROTATION ASSEMBLY
CORNER FLANGE SEAL-4" TO 8"

FIGURE 13-4

FLAP FOLDER CAM- LINKAGE ASSEMBLY
CORNER FLANGE SEAL

FIGURE 13-5

CABLE STOP-BRACKET ASSEMBLY
CORNER FLANGE SEAL-4" TO 8"

FIGURE 13-6

CABLE STOP-CAM LINKAGE ASSEMBLY
CORNER FLANGE SEAL

FIGURE 13-7

STRIPPER MOUNT ASSEMBLY
CORNER FLANGE SEAL-4" TO 8"

FIGURE 13-8

ELEVATED MANDREL ASSEMBLY
CORNER FLANGE SEAL-4" TO 8"

13.2 Illustrated Parts

See Next Page

Tray Box Former



FIGURE 12-1
CHAIN ATTACHMENT ASSEMBLY
CFS-4" FLANGE OR LESS

ITEM	PART NO.	DESCRIPTION	QTY.
1	0094100~	SHAFT, MAIN ROTATION	2
*	0094101~	SHAFT, MAIN ROTOATION	2
2	0094200	SPACER, MAIN ROTATION	2
3	0085100	GEAR, TOP COMPRESSION ADJ	2
4	0203101	BUSHING, FLANGE BEARING	1
5	0094000	COUPLING	1
6	0096200	HANGER, SHAFT RH	1
7	0093300~	SHAFT, HORIZONTAL	2
*	0093301~	SHAFT, HORIZONTAL	2
9	0093400	GEAR, BEVEL	2
10	0041000	SPROCKET, 1.00 BORE	1
11	0096300	HANGER, SHAFT LH	1
12	0012801	CLAMP	4
13	0093700	AXLE, IDLER PLATE SPROCKET	2
14	0093800	AXLE, IDLER TRANS SPROCKET	1
15	0093900	AXLE, IDLER ADJ SPROCKET	1
16	0093500	IDLER ADJUSTMENT	1
17	0093600	IDLER BOLT	1
18	0093200	SPROCKET, 1 7/8 BORE	1
19	2110400	MOUNT, BEARING	2
20	2106500	KEY FOLLOWER	2
100	8010900	3/8-16 HEX HD CAP SCR X 3 1/4 LG	1
101	8024500	3/8-16 STD HEX NUT	3
102	8036800	3/8 STD LOCK WASHER	4
103	1500200	WASHER	4
104	0300101	IDLER SPROCKET	4
105	8027600	7/16-14 CUP PT SET SCR X 5/8 LG	1
106	8032600	5/16-18 SCKT HD CAP SCR X 3/4 LG	2
107	8036700	5/16 STD LOCK WASHER	14
108	8011800	7/16-14 HEX HD CAP SCR X 1 1/4 LG	8
109	8036900	7/16 STD LOCK WASHER	8
110		3/8-16 SCKT FLT HD SCR X 3 LG	2
111	8004900	5/16-18 SCKT FLT HD SCR X 1 1/4 LG	4
112	8008800	5/16-18 HEX HD CAP SCR X 2 1/4 LG	8
113	8035800	5/16 SAE FLAT WASHER	12
114	8027000	5/16-18 CUP PT SET SCR X 1/2 LG	6
115	0900301	KEY, 1/4 X 1/4	3
116	0700600	ROLL PIN, 3/16 DIA.	2
117	0700400	ROLL PIN, 1/4 DIA.	2
119	0502300	BEARING, 1 3/4" DIA.	3
120	0501200	BEARING, 1" DIA.	2
121	8024400	5/16-18 STD HEX NUT	4
122	0800211	#40 CHAIN	1

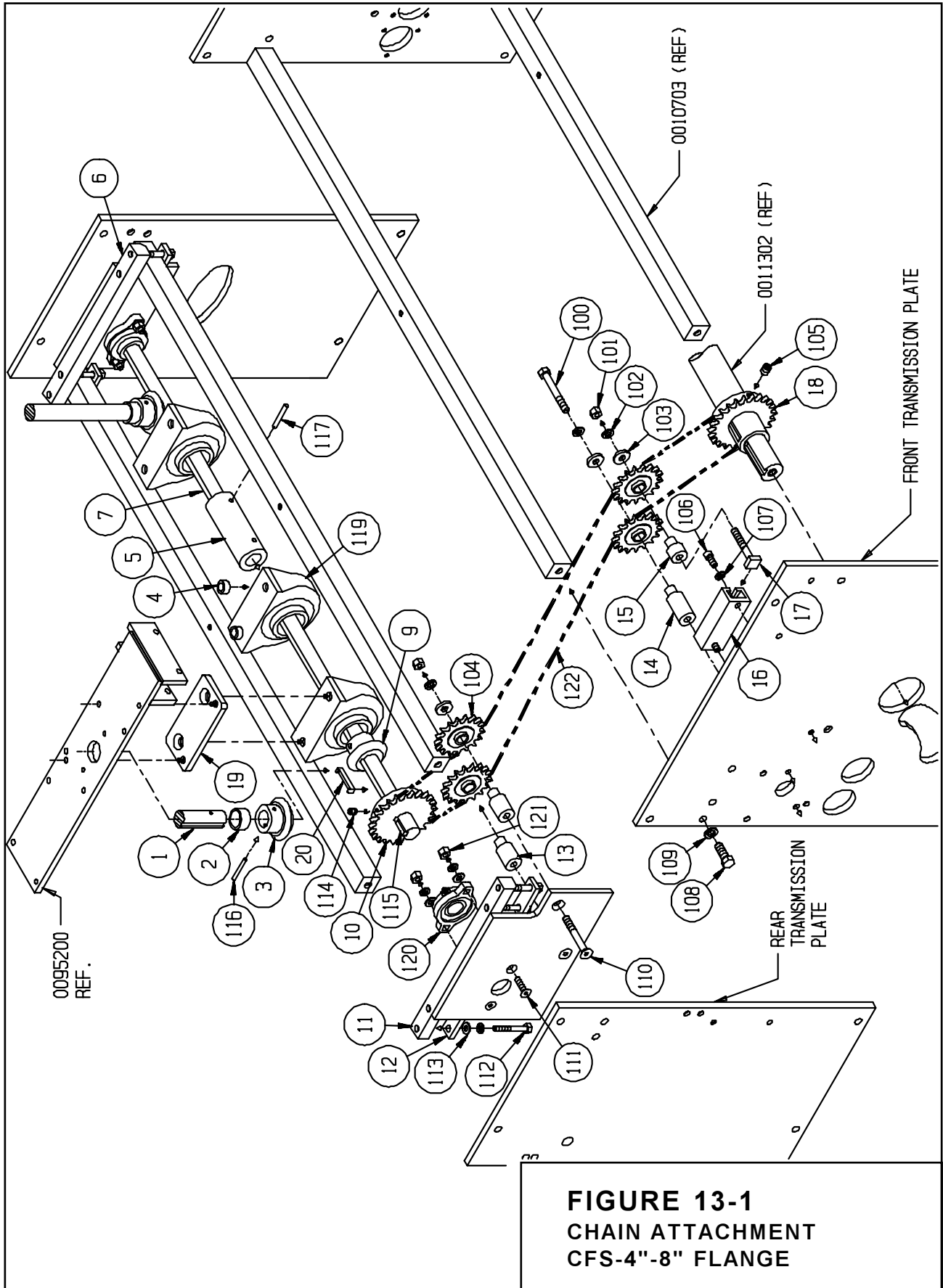
* NOT SHOWN

~ VARIABLE PART

Option Parts & Illustrations



Tray Box Former



Option Parts & Illustrations

Tray Box Former



FIGURE 13-2
COMPRESSION CHAMBER ASSEMBLY
CORNER FLANGE SEAL

ITEM	PART NO.	DESCRIPTION	QTY.
1	0028700	BRACKET, FORM SHOE	4
2	0029001	BAR, FORM SHOE SIDE	2
3	0094900	MOUNT, HORIZONTAL BAR	2
4	0028800	PLATE, BAR CLAMP	2
5	0028801	PLATE, BAR CLAMP	2
6	0090901~	PLATE, CLAMPING-S.B.	2
*	0090900~	PLATE, CLAMPING-W.B.	2
7	0095200R/L	SHOE, MOUNTING	2/2
8	0095000R/L	ANGLE, ROLLER MOUNT	2/2
9	0034100	BAR, CLAMP	4
10	0091000	PLATE, VERTICLE MOUNT	4
11	0091200	BLOCK, PLOW MOUNT	4
12	0091600~	BAR, VERTICAL SUPPORT	2
*	0091601~	BAR, VERTICAL SUPPORT	2
13	2110800~	BAR, ANGLE MOUNT	4
14	0091700~	BAR, UPPER SUPPORT-S.B.	2
	0091701~	BAR, UPPER SUPPORT-W.B.	2
15	0209300~	BUSHING, HORIZONTAL MT.-S.B.	8
	0091800~	BUSHING, HORIZONTAL MT.-W.B.	4
16	0209400	BUSHING, VERTICAL BAR	8
17	0091703	BAR, UPPER SUPPORT	1
100	8008300	5/16-18 HEX HD CAP SCR X 1 LG	54
101	8036700	5/16 STD LOCK WASHER	54
102	8024400	5/16-18 STD HEX NUT	16
103	8005800	3/8-16 SCKT FLT HD SCR X 2 LG	4
104	8024900	3/8-16 STD HEX NUT	4
105	8036800	3/8 STD LOCK WASHER	8
106	8011800	7/16-14 HEX HD CAP SCR X 1 1/4 LG	4
107	8036900	7/16 STD LOCK WASHER	4
108	8008600	5/16-18 HEX HD CAP SRC X 1 3/4 LG	2
109	8010400	3/8-16 HEX HD CAP SCR X 2 LG	8
110	8035800	5/16 SAE FLAT WASHER	2
111	8034100	3/8-16 SCKT HD CAP SCR X 1 1/2 LG	4
112	8008800	5/16-18 HEX HD CAP SCR X 2 1/4 LG	8
113	1200800	SPRING	2

* NOT SHOWN

~ VARIABLE PART

Option Parts & Illustrations



Tray Box Former

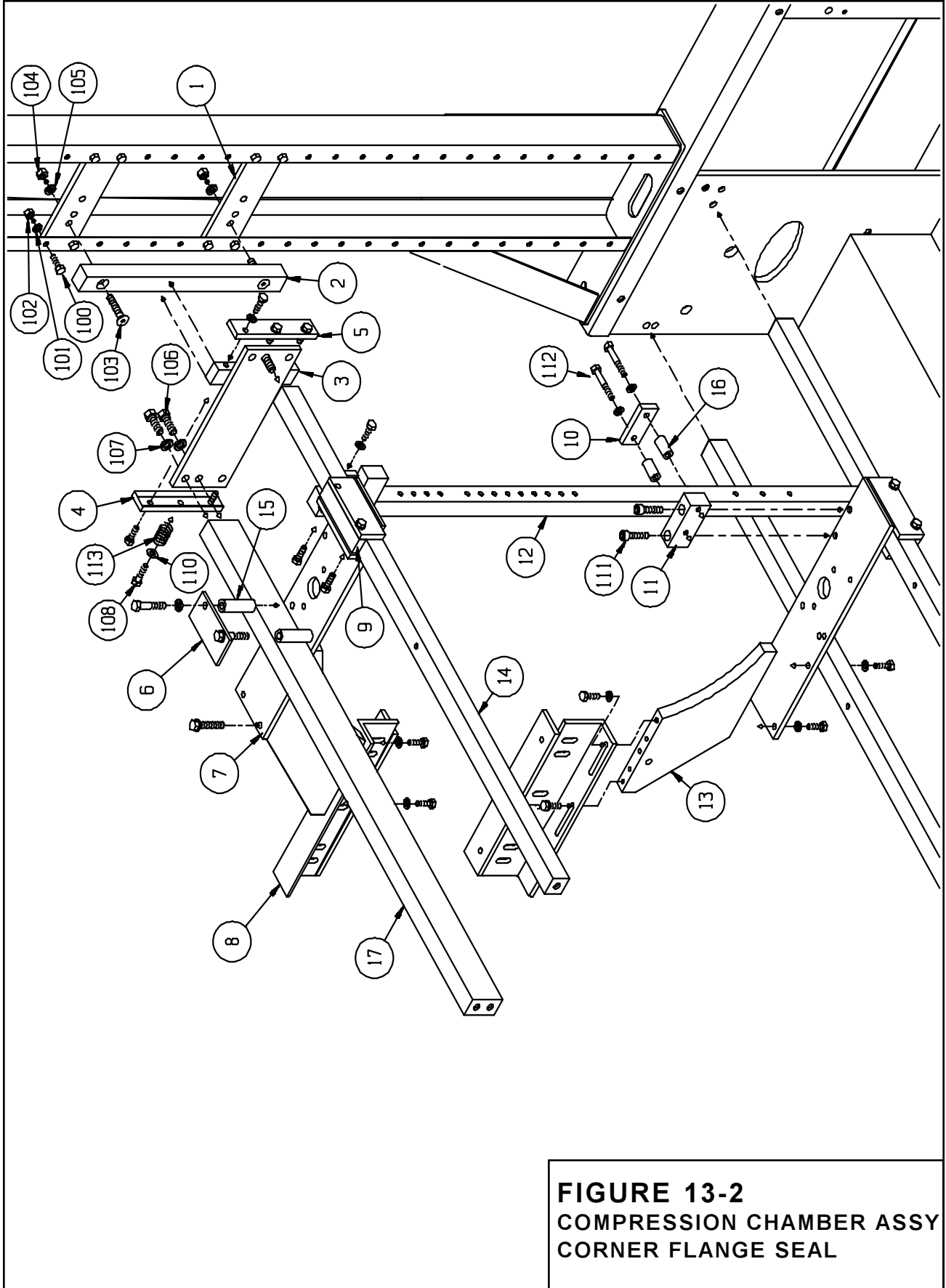


FIGURE 13-2
COMPRESSION CHAMBER ASSY
CORNER FLANGE SEAL

Option Parts & Illustrations

Tray Box Former



FIGURE 13-2A UPPER COMPRESSION ASSEMBLY CORNER FLANGE SEAL KWIK CHANGE-OPTIONAL

ITEM	PART NO.	DESCRIPTION	QTY.
1	0085300~	SHAFT, TOP COMP ADJ-W.B.	1
*	0085301~	SHAFT, TOP COMP ADJ-S.B.	1
2	0091702~	BAR, TOP COMP SUPPORT-W.B.	1
*	0085201~	BAR, TOP COMP SUPPORT-S.B.	1
3	0085100	GEAR, TOP COMP ADJ	2
4	0085800R/L	PLATE, TOP COMP SUPPORT	1/1
5	0085400R/L	SCREW, TOP COMP ADJ	1/1
6	0085900	BAR, TOP COMP PLATE GUIDE	2
7	0086300	BRACKET, BAR GUIDE MOUNT	6
8	0086100	STRIP WEAR	4
9	0086500	BAR, GIB HOLDER	4
10	0090100	SPACER, SUPPORT TOP COMP	2
11	0090200R/L	SPACER, SUPPORT TOP COMP	1/1
12	0087200~	BAR, COMP FRONT SUPPORT-W.B	1
*	0087201~	BAR, COMP FRONT SUPPORT-S.B	1
13	0043003	AXLE, IDLE SPROCKET	1
100	0207700	BUSHING	4
101	0100700	1" SET COLLAR	1
102	0700503	RIVOT	8
103	8024500	3/8-16 STD HEX NUT	6
104	8036800	3/8 STD LOCK WASHER	18
105	8005600	3/8-16 SCKT FLT HD X 1 1/2 SCR	6
106		3/16 " X 1 3/4" ROLL PIN	2
108	0502200	CAM ROLLER	2
109	8036100	1/2 SAE FLT WASHER	2
110	8024700	1/2-20 HALF HEX NUT	2
111	8010100	3/8-16 HEX HD CAP SCR X 1 1/4	4
112	8010000	3/8-16 HEX HD CAP SCR X 1	8
113	8005700	3/8-16 SCKT FLT HD SCR X 1 3/4	1
114	0300101	IDLE SPROCKET	1
115	1501800	WASHER	1
116	8005300	3/8-16 SCKT FLT HD SCR X 3/4	1
117	0084600	WASHER, THRUST	2
118	1501400	WASHER	1

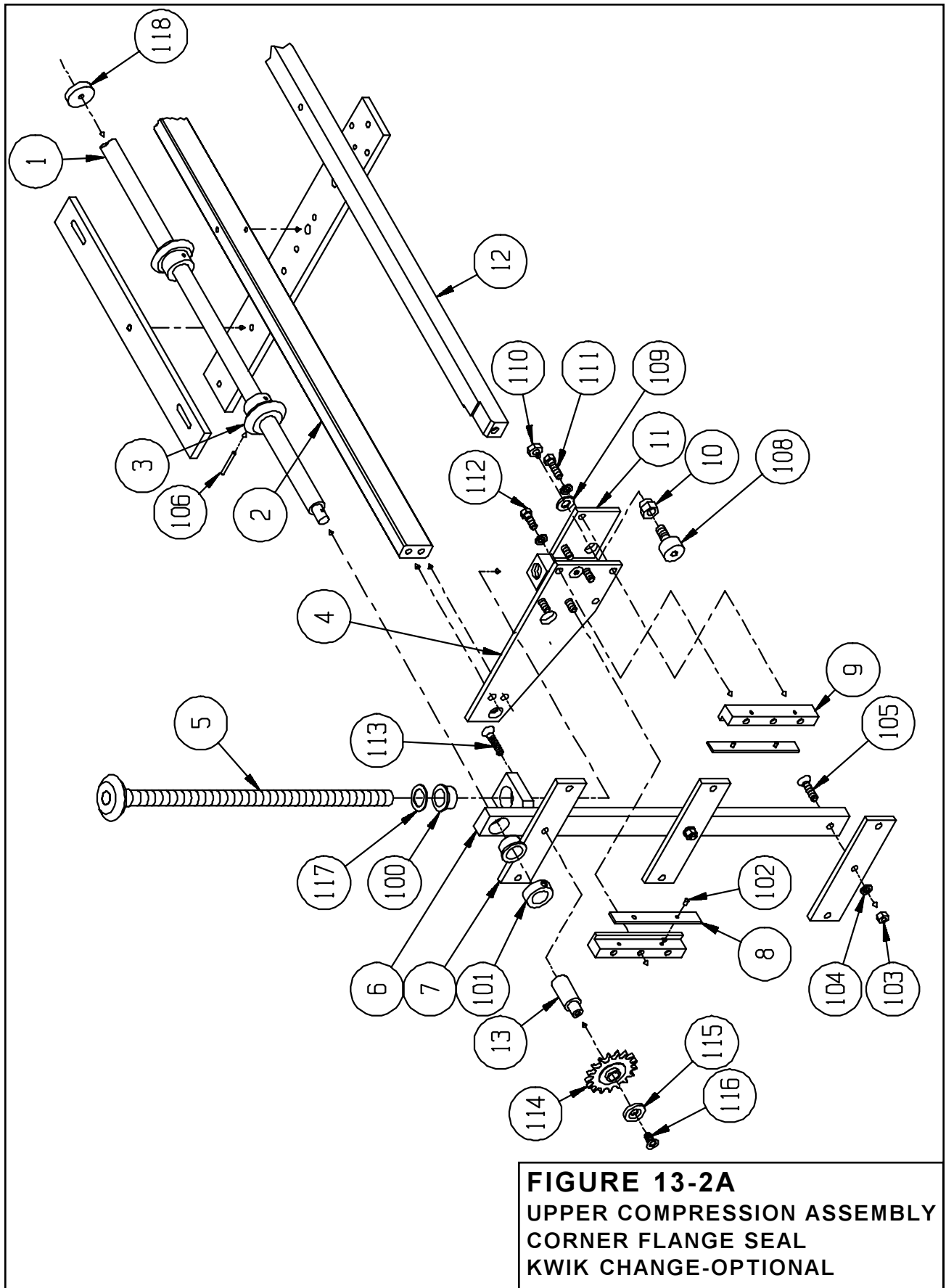
* NOT SHOWN

~ VARIABLE PART

Option Parts & Illustrations



Tray Box Former



Option Parts & Illustrations

Tray Box Former



FIGURE 13-3
MAIN ROTATION ASSEMBLY
CFS-4" TO 8" FLANGE

ITEM	PART NO.	DESCRIPTION	QTY.
1	0094101	SHAFT, MAIN ROTATION	2
2	0099800	PLATE, PLOW ROTATION	4
3	0091901	ROLLER, VERTICAL	4
4	0099700	ROD END	2
5	0095500	PIVOT, FLAP	2
6	0092302R/L	PLOW, ROTATING	2/2
7	0092400	FLAP, VERTICAL	2
8	0095600R/L	MOUNT, CABLE	1/1
9	0095402R/L	PLOW, COMBINATION	2/2
10	0095300	PLOW, VERTICAL	2
11	0093100	SHAFT, ROLLER	4
100	0501200	1" FLANGE BEARING	4
101	0100700	1" SET COLLAR	6
102	0205700	BUSHING, BRONZE	4
103	0203500	BUSHING	8
104	0204600	BUSHING	4
105	0502400	ROLLER BEARING	4
106		KEY, 1/4 X 1/4 X 3/4 LG	4
107	1202700	SPRING	2
108	1502100	WASHER	4

Hardware Not Shown



Tray Box Former

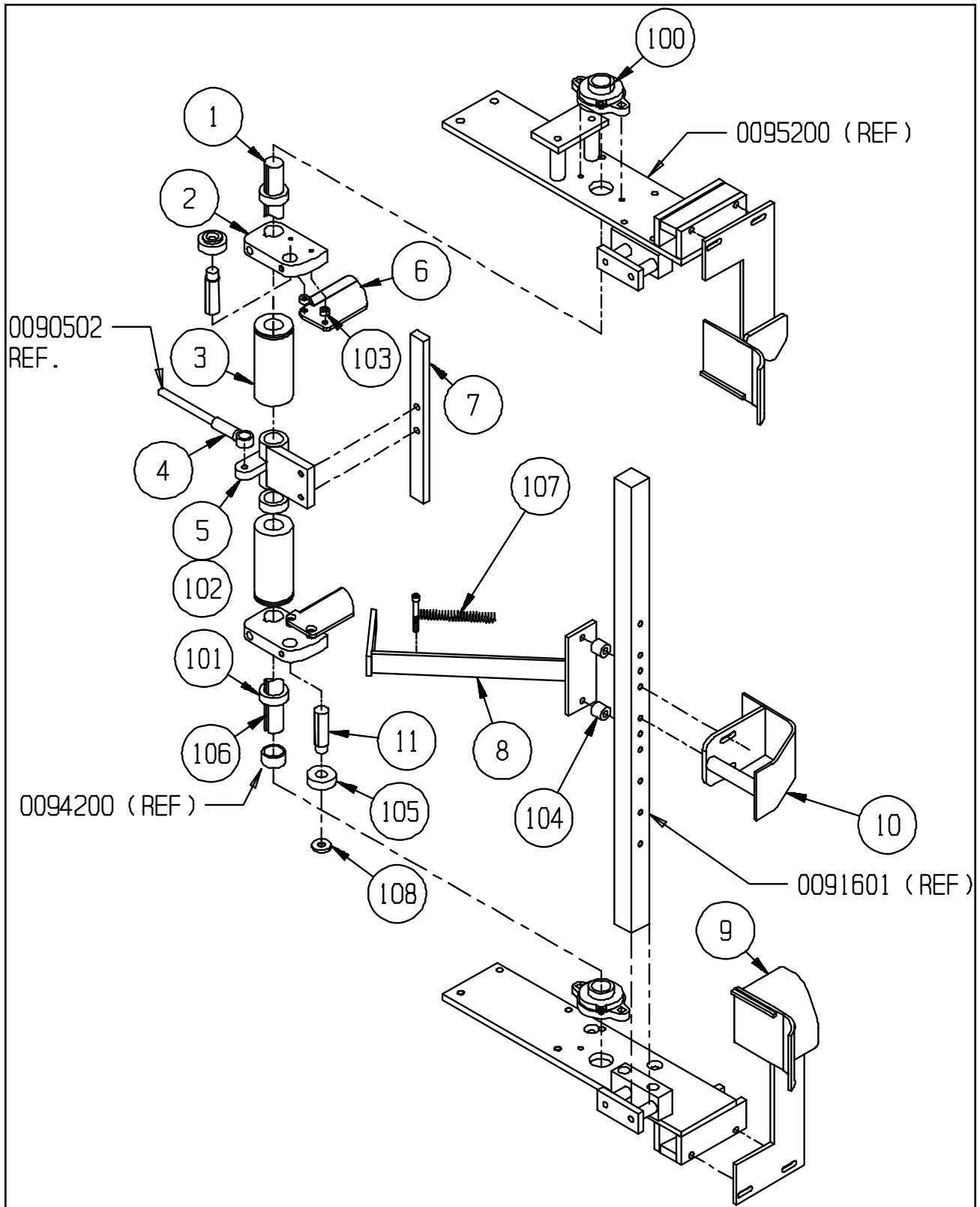


FIGURE 13-3
MAIN ROTATION ASSEMBLY
CFS-4" TO 8" FLANGE

Option Parts & Illustrations

Tray Box Former



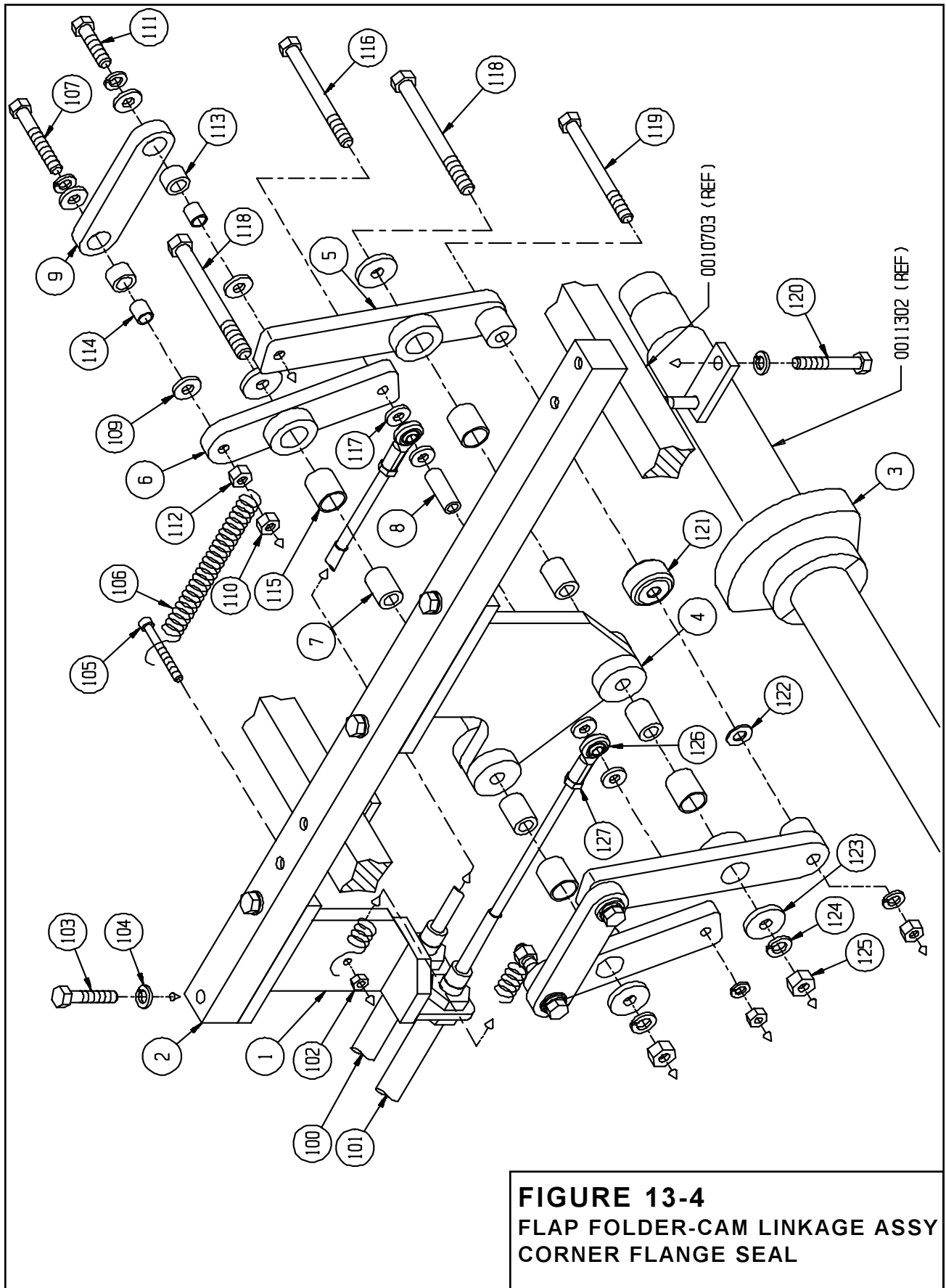
FIGURE 13-4
FLAP FOLDER-CAM LINKAGE ASSY
CORNER FLANGE SEAL

ITEM	PART NO.	DESCRIPTION	QTY.
1	0096400	BRACKET, CABLE	1
2	0094300	BAR, BRACKET MOUNT	1
3	0092000	CAM	1
4	0094600	BRACKET, FLAP FOLDER	1
5	0094700	PIVOT ARM BRACKET-REAR	2
6	0094801	PIVOT ARM BRACKET	2
7	0203000	BUSHING	4
8	0203700	BUSHING	4
9	0051502	LINK, FLAP LEVER	2
100	0090501	3/8 CABLE, 3-84	1
101	0090500	3/8 CABLE, 3-96	1
102		1/4-20 STD HEX NUT	1
103		3/8-16 HEX HD CAP SCR X 1 3/4 LG	4
104		3/8 STD LOCK WASHER	13
105		1/4-20 SCKT HD CAP SCR X 2 1/4 LG	1
106	1202700	SPRING	2
107		3/8-16 HEX HD CAP SCR X 2 1/2 LG	2
109	1500200	WASHER	12
110		3/8-16 STD HEX NUT	3
111		3/8-16 HEX HD CAP SCR X 1 1/2 LG	2
112		3/8-16 FIBER LOCK NUT	2
113	0209600	BUSHING-BRONZE	4
114	0200800	BUSHING	4
115	0200100	BUSHING-BRONZE	4
116		3/8-16 HEX HD CAP SCR X 4 LG	1
117	1501600	WASHER	4
118		7/16-14 HEX HD CAP SCR X 4 1/2 LG	2
119		3/8-16 HEX HD CAP SCR X 4 LG	1
120		3/8-16 HEX HD CAP X 2 1/2 LG	4
121	0500700	1 3/8" BEARING	1
122		3/8 SAE FLAT WASHER	1
123	1500600	WASHER	4
124		7/16 STD LOCK WASHER	2
125		7/16-14 STD HEX NUT	2
126	0501001	3/8 ROD END	2
127		3/8-24 STD HEX NUT	2

Option Parts & Illustrations



Tray Box Former



Option Parts & Illustrations

Tray Box Former

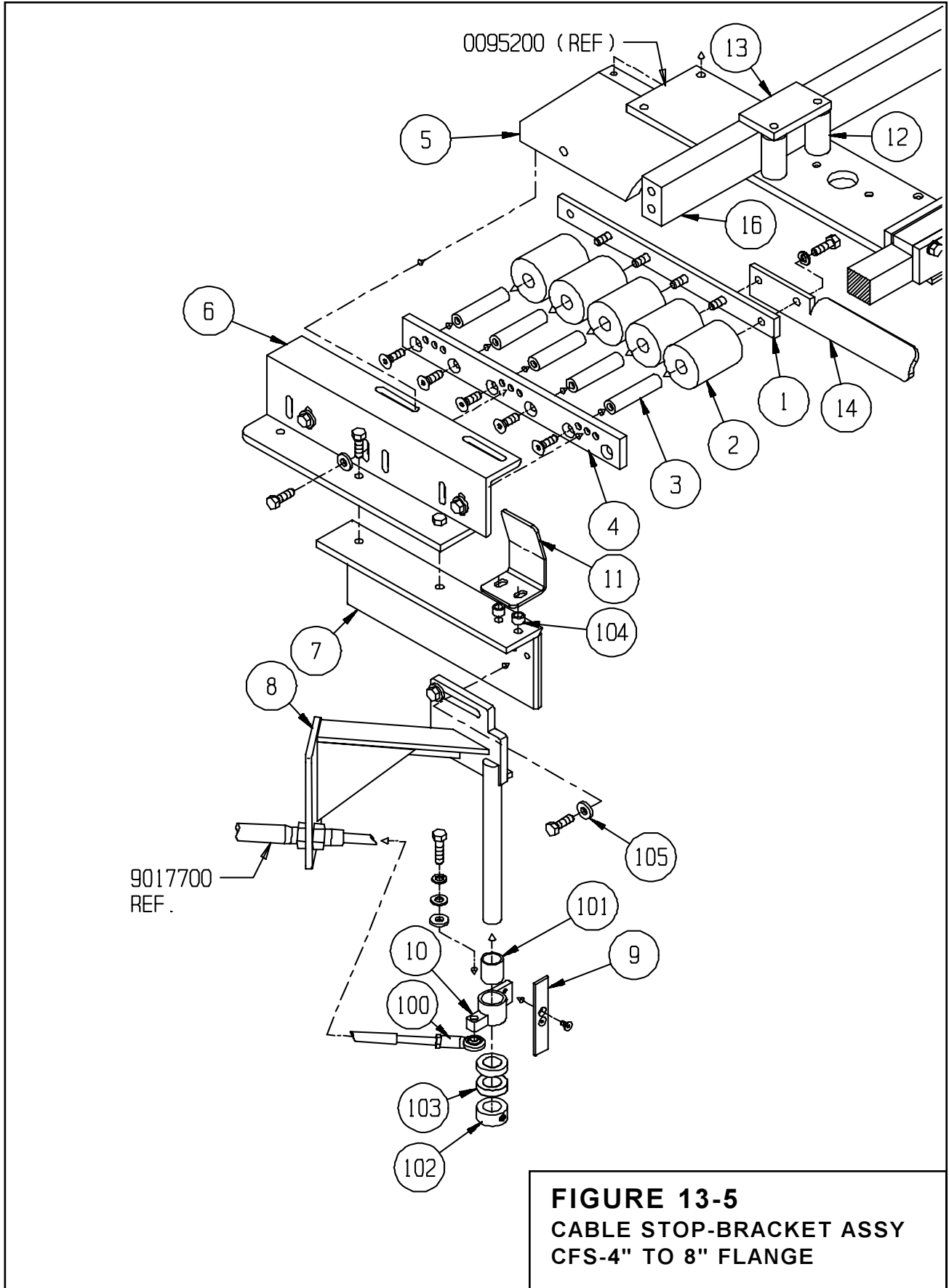


FIGURE 13-5
CABLE STOP BRACKET ASSEMBLY
CFS-4" TO 8" FLANGE

ITEM	PART NO.	DESCRIPTION	QTY.
1	0091300	BAR, ROLLER MOUNT	4
2	0090800	ROLLER, HORIZONTAL	24
3	0090700	AXLE, ROLLER	24
4	0091400	BAR, INSIDE ROLLER MOUNT	4
5	2110800	PLATE, COMP ROLLERS	4
6	0095000R/L	ANGLE, ROLLER MOUNT	2/2
7	0096001R/L	WELDMT, STOP SUPPORT	2/2
8	0095900R/L	BRACKET, CABLE STOP MOUNT	1/1
9	0092800	VERTICAL STOP	2
10	0096100R/L	STOP	1/1
11	2110600	SECONDARY FLAP GUIDE	4
12	0091800	SPACER-W.B.	4
13	0090900	PLATE, CLAMPING	2
14	2110500R/L	FLAP, GUIDE	2/2
16	0071902	BAR, SPREADER-W.B, K.C. ONLY	1
100	0501002	5/16 ROD END	2
101	0200100	BUSHING	2
102	0100500	3/4" SET COLLAR	2
103	0205200	BUSHING	4
104	0203500	BUSHING	8
105	1501100	WASHER	22



Tray Box Former



Option Parts & Illustrations

Tray Box Former



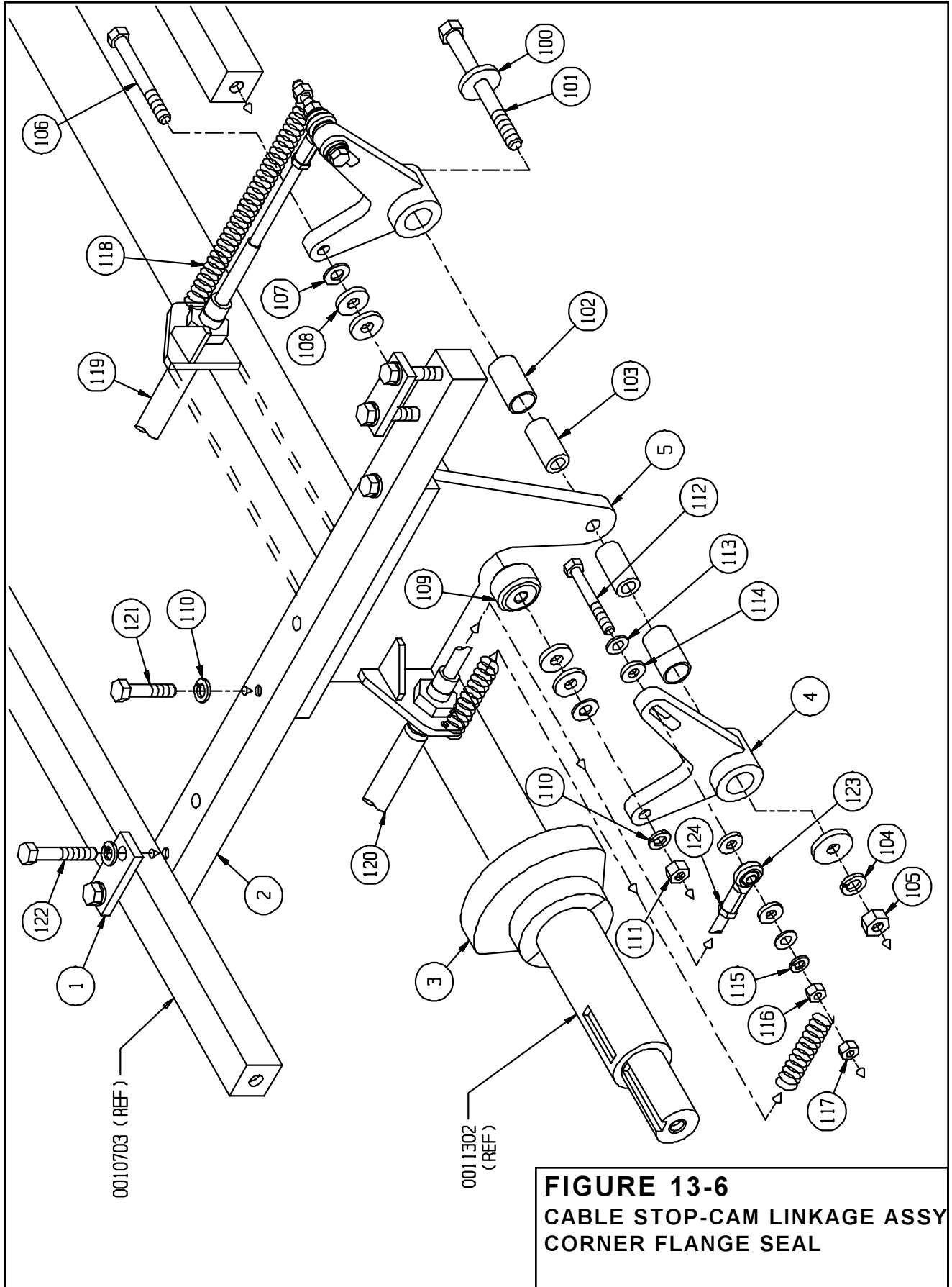
FIGURE 13-6
CABLE STOP CAM LINKAGE
CORNER FLANGE SEAL

ITEM	PART NO.	DESCRIPTION	QTY.
1	0012801	CLAMP	2
2	0061501	BAR, LOWER MOUNT	1
3	0092000	CAM	1
4	0061000	WELDMT, CABLE PULL LEVER	2
5	0095800	BRACKET, LEVER	1
100	1500600	WASHER	2
101		7/16-14 HEX HD CAP SCR X 4 1/2	1
102	0209200	BEARING, SLEEVE	2
103	0074300	BUSHING, LEVER	2
104		7/16 STD LOCK WASHER	1
105		7/16-14 STD HEX NUT	1
106		3/8-16 HEX HD CAP SCR X 3 1/4	1
107		3/8 SAE FLAT WASHER	2
108	1500101	WASHER	4
109	0500700	1 3/8 BEARING	1
110		3/8 STD LOCK WASHER	7
111		3/8-16 STD HEX NUT	1
112		5/16-18 HEX HD CAP SCR X 2 1/4	1
113		5/16 SAE FLAT WASHER	4
114	1501100	WASHER	6
115		5/16 STD LOCK WASHER	2
116		5/16-18 STD HEX NUT	2
117		5/16-18 FIBER LOCK NUT	2
118	1202700	SPRING	2
119	0090600	5/16 CABLE, 2-120	1
120	0056100	5/16 CABLE, 2-90	1
121		3/8-16 HEX HD CAP SCR X 1 3/4	4
122		3/8-16 HEX HD CAP SCR X 3 1/4	2
123	0501002	5/16 ROD END	2
124		5/16-24 STD HEX NUT	2

Option Parts & Illustrations



Tray Box Former



Option Parts & Illustrations

Tray Box Former

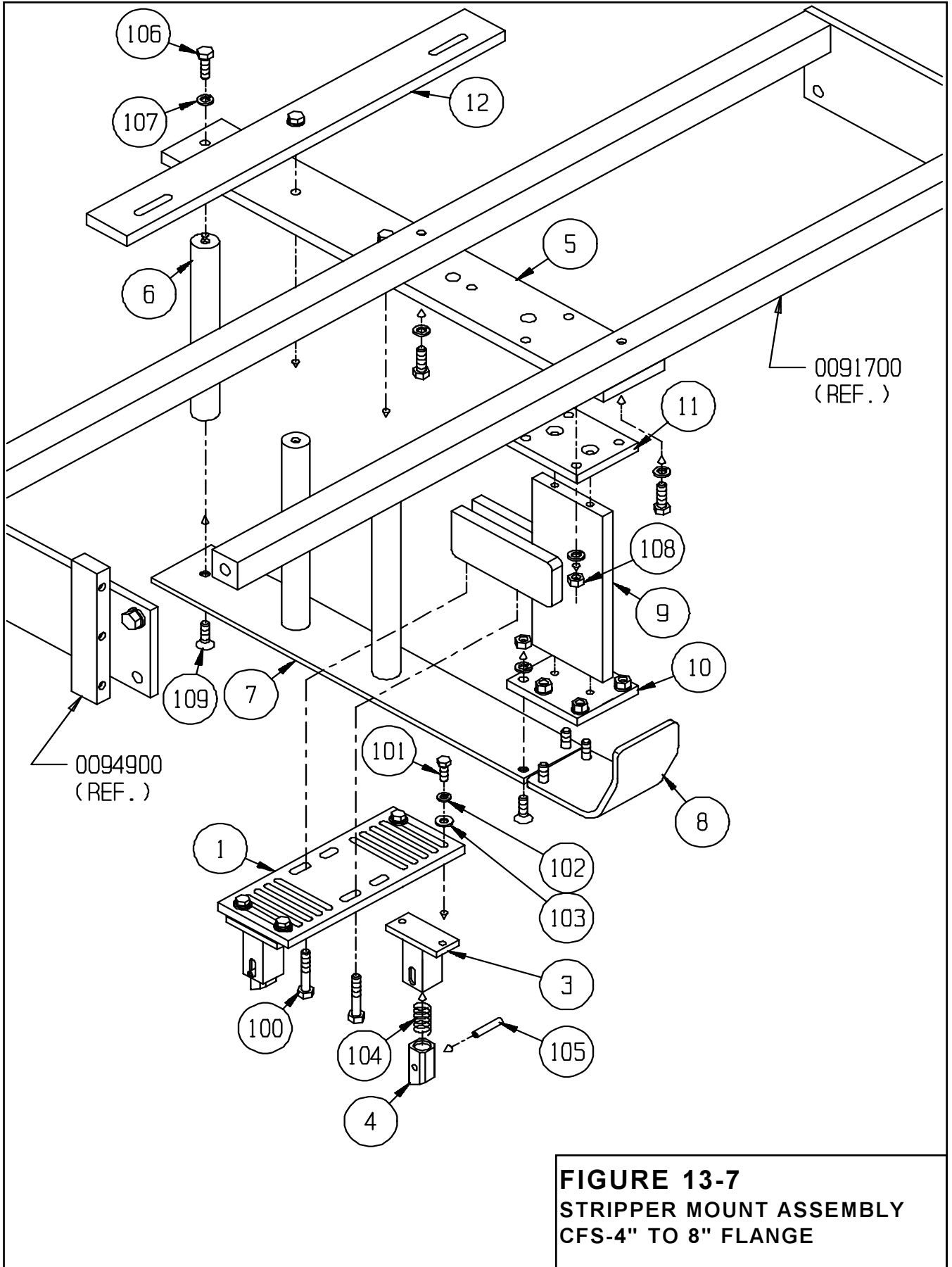


FIGURE 13-7
STRIPPER MOUNT ASSEMBLY
CFS-4" TO 8" FLANGE

ITEM	PART NO.	DESCRIPTION	QTY.
1	0092500	PLATE, MOUNT SUPPORT	2
3	0095701	WELDMT, ACUATOR	4
4	0092600	ACUATOR	4
5	0091500	SUPPORT, SHOE	2
6	0092701	STANDOFF	6
7	0092900	SHOE, BOX FORMING	2
8	0092100	PLOW, CENTER	2
9	0055501	MOUNT, CENTER SHOE	2
10	00951102	PLATE, MOUNTING SHOE	2
11	00951101	PLATE, MOUNTING BAR	2
12	2110700	PLATE, ROLLER BRACE	2
100		5/16-18 HEX HD CAP SCR X 1 3/4	8
101		1/4-20 HEX HD CAP SCR X 3/4 LG	8
102		1/4 STD LOCK WASHER	8
103		1/4 SAE FLAT WASHER	8
104	1200300	SPRING	4
105		7/32 ROLL PIN X 1 1/4 LG	4
106		5/16-18 HEX HD CAP SCR X 1 1/4 LG	10
107		5/16 STD LOCK WASHER	30
108		5/16-18 STD HEX NUT	20
109		5/16-18 SCKT FLAT HD SCR X 1 LG	18



Tray Box Former



Option Parts & Illustrations

Tray Box Former



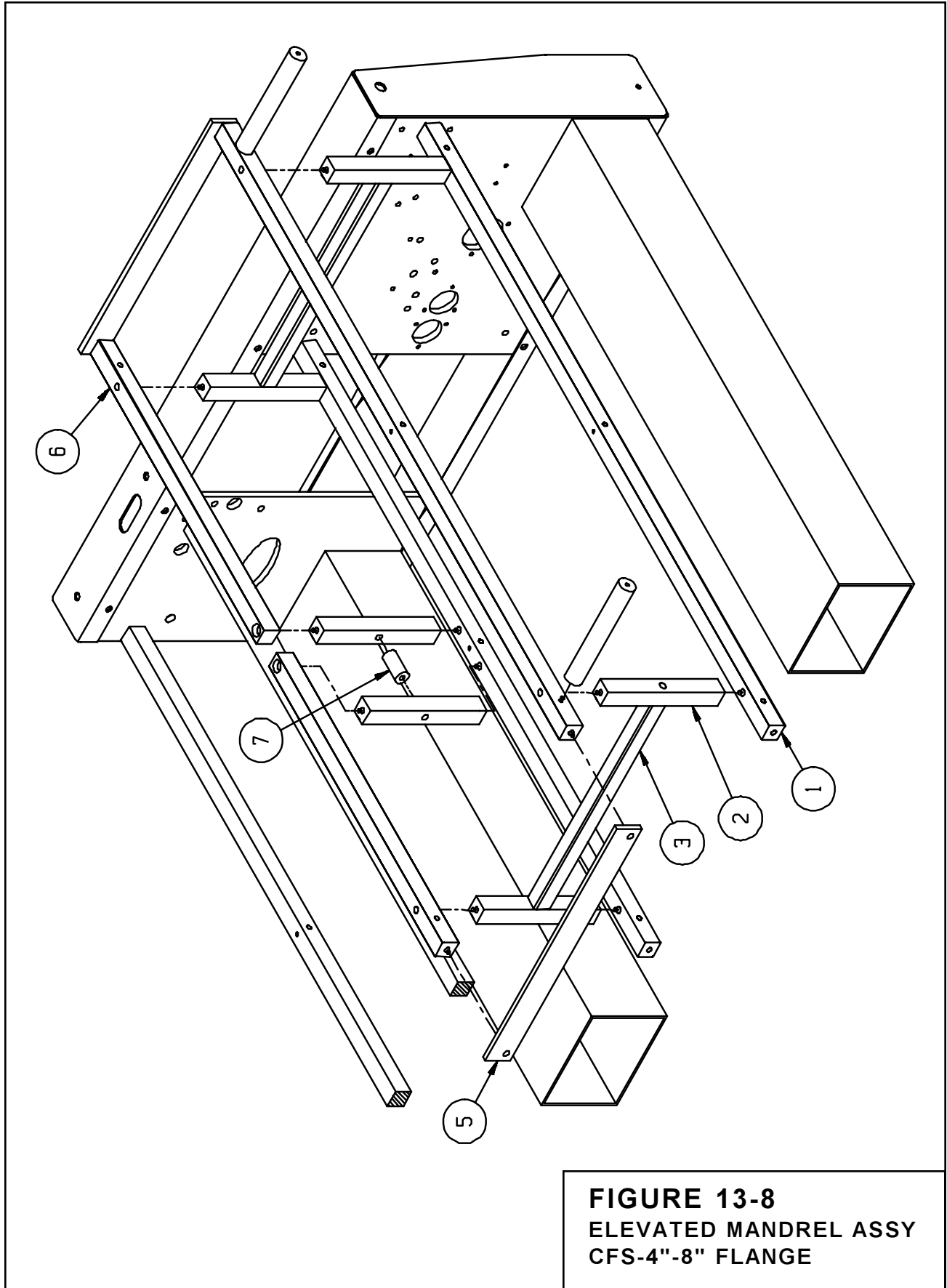
FIGURE 13-8
ELEVATED MANDREL ASSEMBLY
CFS-4" TO 8" FLANGE

ITEM	PART NO.	DESCRIPTION	QTY.
1	0010703	SPREADER, FRAME-S.B	3
	0010705	SPREADER, FRAME-W.B.	3
2	2109702	POST-4" TO 8" FLANGE	6
3	2109900	SPACER BAR	2
5	2110000	PLATE BAR	2
6	2110100	SPREADER , REAR FRAME-S.B.	2
	2110101	SPREADER, REAR FRAME-W.B.	2
7	2110300	SPACER	1

Hardware Not Shown



Tray Box Former



Option Parts & Illustrations

Tray Box Former



THIS PAGE IS BLANK

Option Parts & Illustrations