



21.0 Option Parts & Illustrations

INTRODUCTION

This section lists and illustrates the replaceable assemblies and parts of the Tray Box Former as manufactured by W. E. Plemons Machinery Services, Inc. Each parts list contains the component parts for that assembly.

21.1 Index

FIGURE / DESCRIPTION

FIGURE 21-1

COMPRESSION CHAMBER ASSEMBLY
MINI TRAY

FIGURE 21-2

MANDREL ASSEMBLY
MINI TRAY

21.2 Illustrated Parts

See Next Page

Tray Box Former



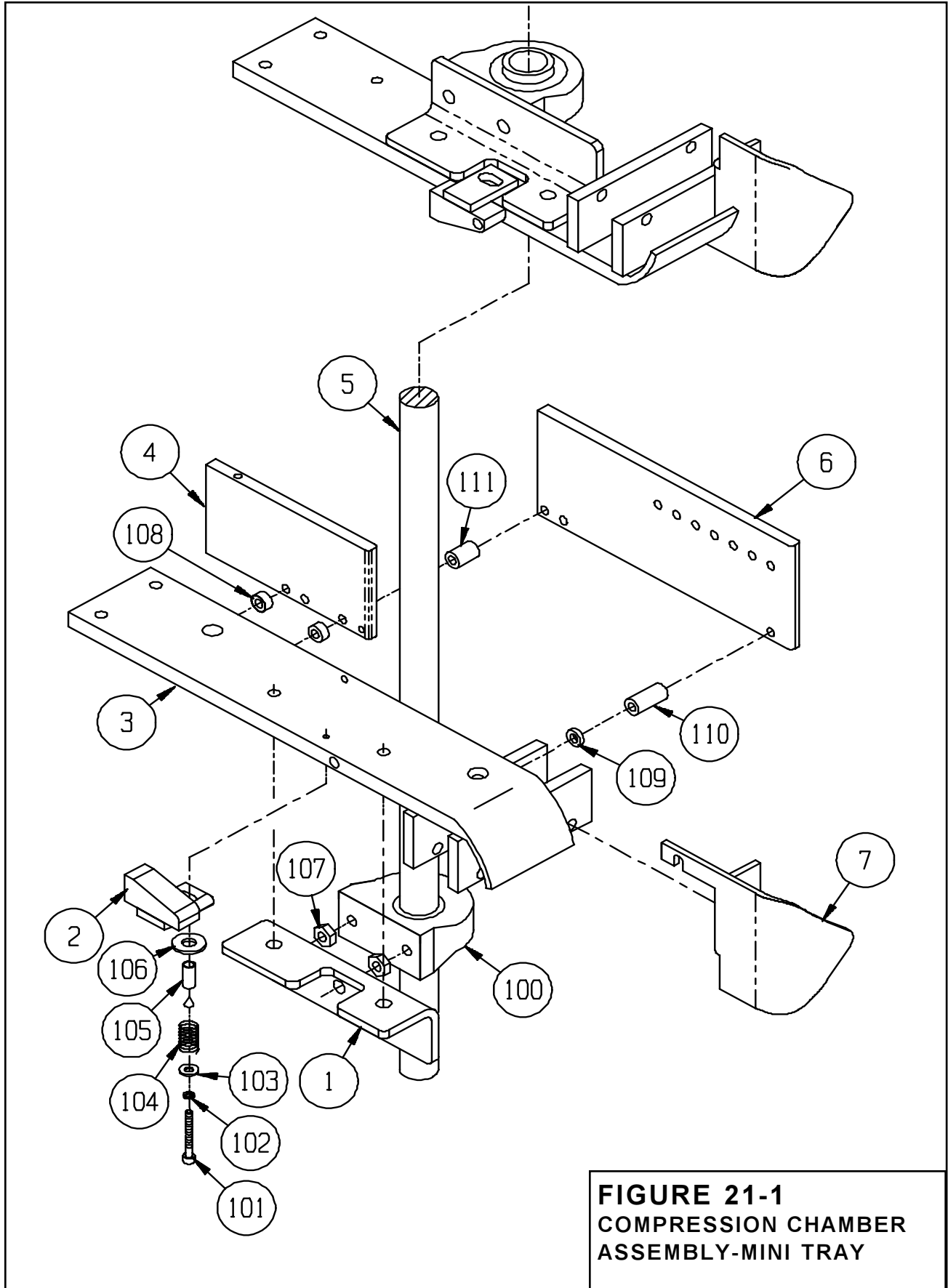
FIGURE 21-1
COMPRESSION CHAMBER ASSEMBLY
MINI TRAY

ITEM	PART NO.	DESCRIPTION	QTY.
1	9084700R/L	MOUNT, COMPRESSION BEARING	2/2
2	0043800R/L	STRIPPER, TRAY	2/2
3	9084800R/L	SHOE, TRAY FORMING	2/2
4	9085000	PLATE, AUX. COMPRESSION	2
5	0022605	SHAFT, COMPRESSION-12"	2
6	0019103	SHOE, TRAY FORMING GUIDE	2
7	0018802R/L	PLOW, FLANGE FORMING	2/2
100	0501101	BEARING, FLANGED-1"	4
101		#10-24 SCKT HD CAP SCR X 1 1/2	4
102		#10 STD LOCK WASHER	4
103		#10 SAE FLAT WASHER	4
104	1200500	SPRING	4
105	0205400	BUSHING	4
106		5/16 SAE FLAT WASHER	4
107		3/8-16 HEX HALF NUT	8
108	0200900	BUSHING	4
109	0207400	BUSHING	4
110	0206000	BUSHING	2
111	0207100	BUSHING	2

Hardware Not Shown



Tray Box Former



Option Parts & Illustrations

Tray Box Former



FIGURE 21-2
MANDREL ASSEMBLY
MINI TRAY

ITEM	PART NO.	DESCRIPTION	QTY.
1	9084900R/L	PLATE, WEAR	1/1
2	0074500R/L	PLATE, MANDREL	1/1
3	0022101R/L	RAIL, TRAY MANDREL	1/1
4	0022000	PLATE, MANDREL SUPPORT	2
5	0074601	SPREADER, UPPER SQUARE	1
6	0074700S	SHAFT, CON ROD PIVOT	1
7	0074602	SPREADER, LOWER SQUARE	1
8	0074701	SPREADER, UPPER ROUND	1
9	1502300	WASHER, MANDREL - 1" DIA.	6
10	1502400	WASHER, MANDREL - 1" SQ.	4
11	0074700	SPREADER, REAR ROUND	1

Hardware Not Shown



Tray Box Former

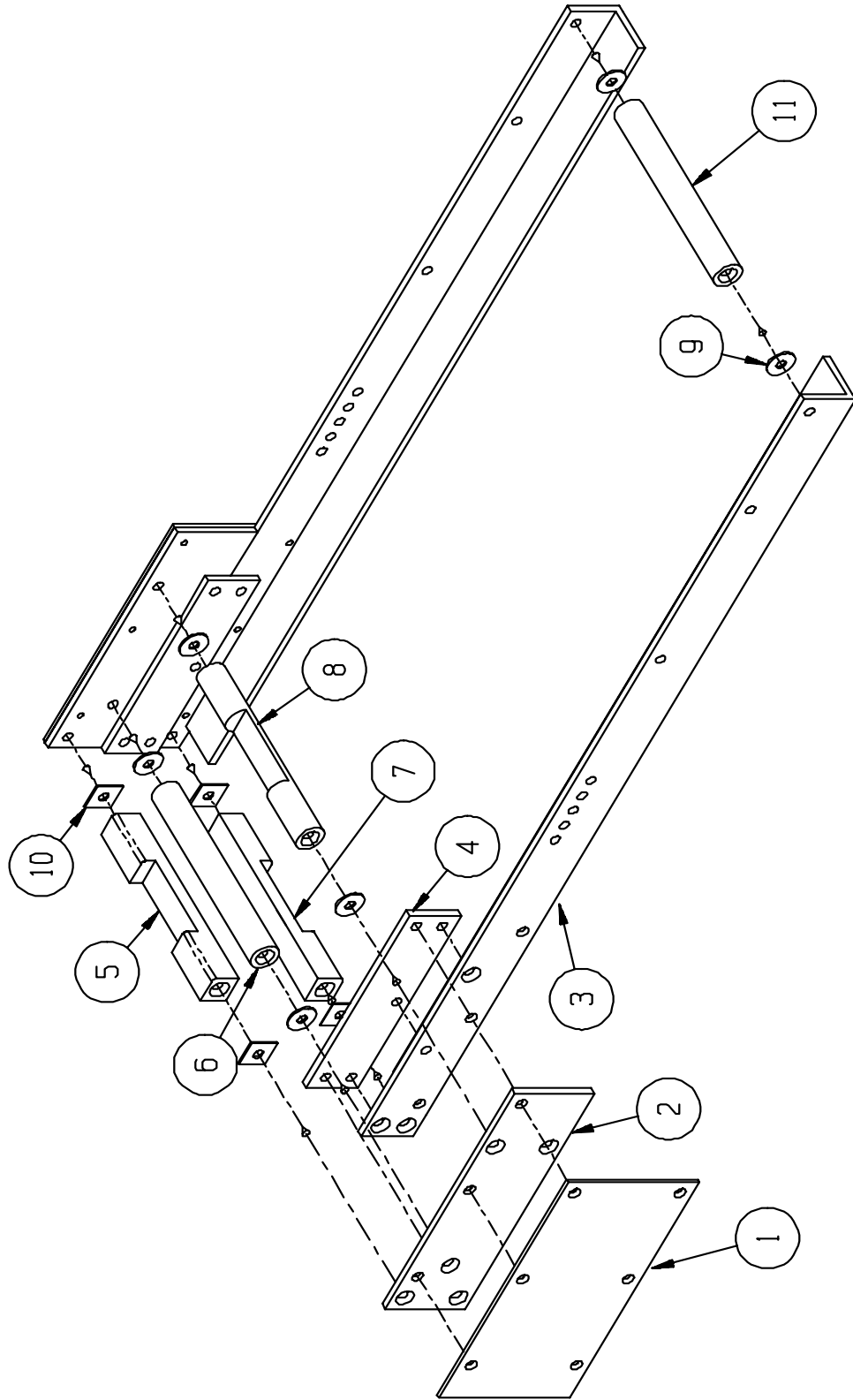


FIGURE 21-2
MANDREL ASSEMBLY
MINI TRAY

Option Parts & Illustrations

Tray Box Former



THIS PAGE IS BLANK

Option Parts & Illustrations