

Bliss Box Former



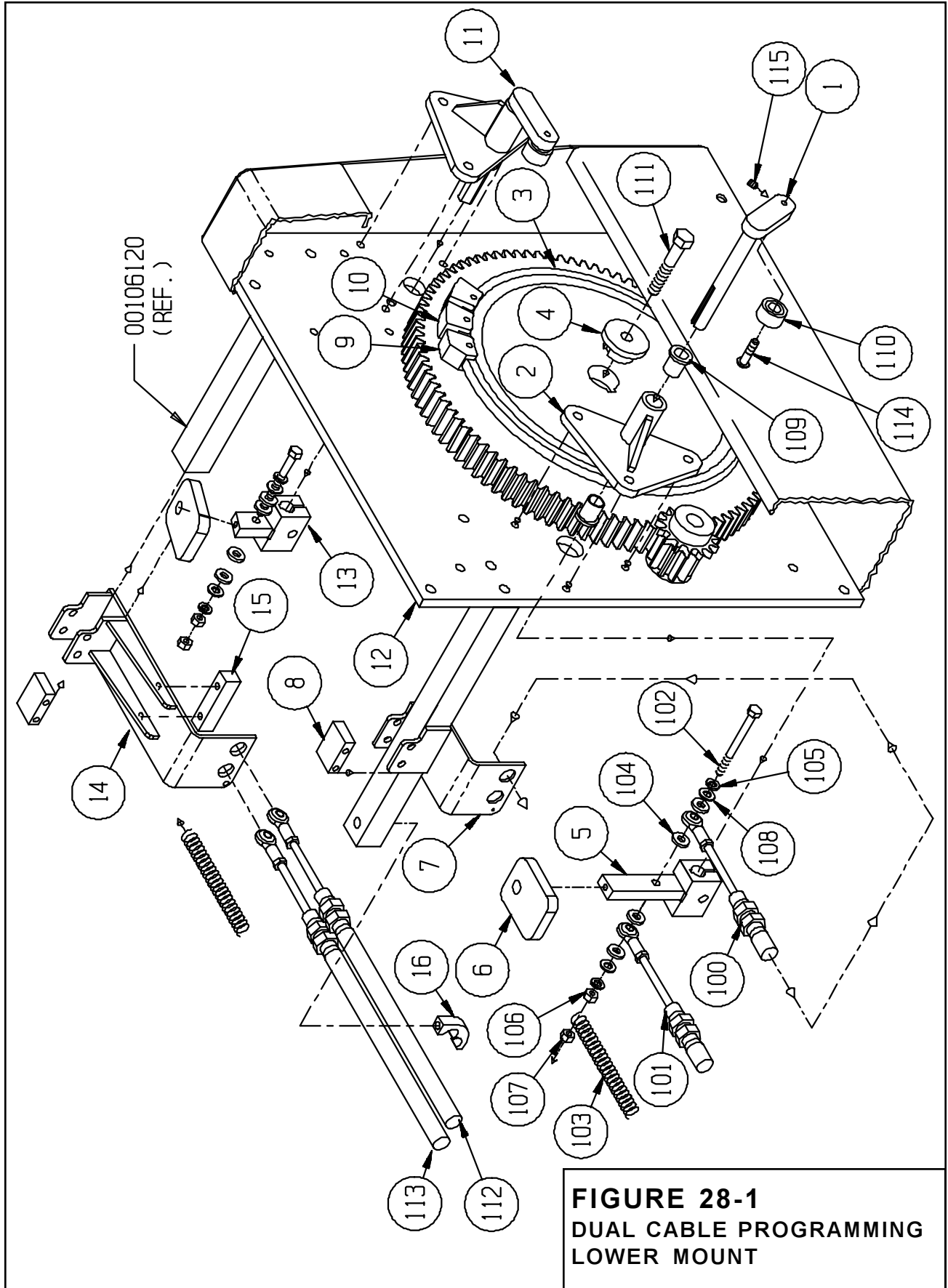
FIGURE 28-1
DUAL CABLE PROGRAMMING
LOWER MOUNT

ITEM	PART NO.	DESCRIPTION	QTY.
1	0078700	ROLLER ARM SHAFT	1
2	0078600	PIVOT BRACKET	2
3	0080000	DISC-CAM	1
4	0079100	PLUG	1
5	0078800	PIVOT BLOCK	1
6	0079800	BUMPER-RUBBER	2
7	0079200	BRACKET-LOWER CABLE	1
8	0079900	BLOCK-BOLTING	2
9	0021303	SEGMENT PRO.-LEAD CABLE PRO	A/N
10	0021304	SEGMENT PRO.-LEAD CABLE PRO	A/N
11	0078701	ROLLER ARM SHAFT	1
12	00106120	PLATE-FRONT L.H. TRANS.	1
13	0078802	PIVOT BLOCK	1
14	0079204	BRACKET-LOWER CABLE	1
15	0079903	STOP CABLE	1
16	0012802	CABLE HOLDER	2
100	0079700	5/16 CABLE, 1-65"	1
101	0079600	5/16 CABLE, 1-106"	1
102		5/16-18 HEX HD CAP SCREW X 3 L	2
103	1202500	SPRING	2
104	1501100	WASHER	8
105		5/16 STD LOCK WASHER	4
106		5/16-18 STD NUT	2
107		5/16-18 ESNA LOCK NUT	2
108		3/8 STD FLAT WASHER	4
109	0208100	BUSHING	4
110	0501700	1 1/8" CAM ROLLER	2
111	0501900	SCREW-CABLE PROGRAM	1
112	0079701	5/16 CABLE, 1-84"	1
113	0079601	5/16 CABLE 1-124"	1
114		5/16-18 BUTTON HD SCR X 1 1/4	2
115		1/4-20 SET SCR X 3/8	2

Option Parts & Illustrations



Bliss Box Former



Option Parts & Illustrations

Bliss Box Former

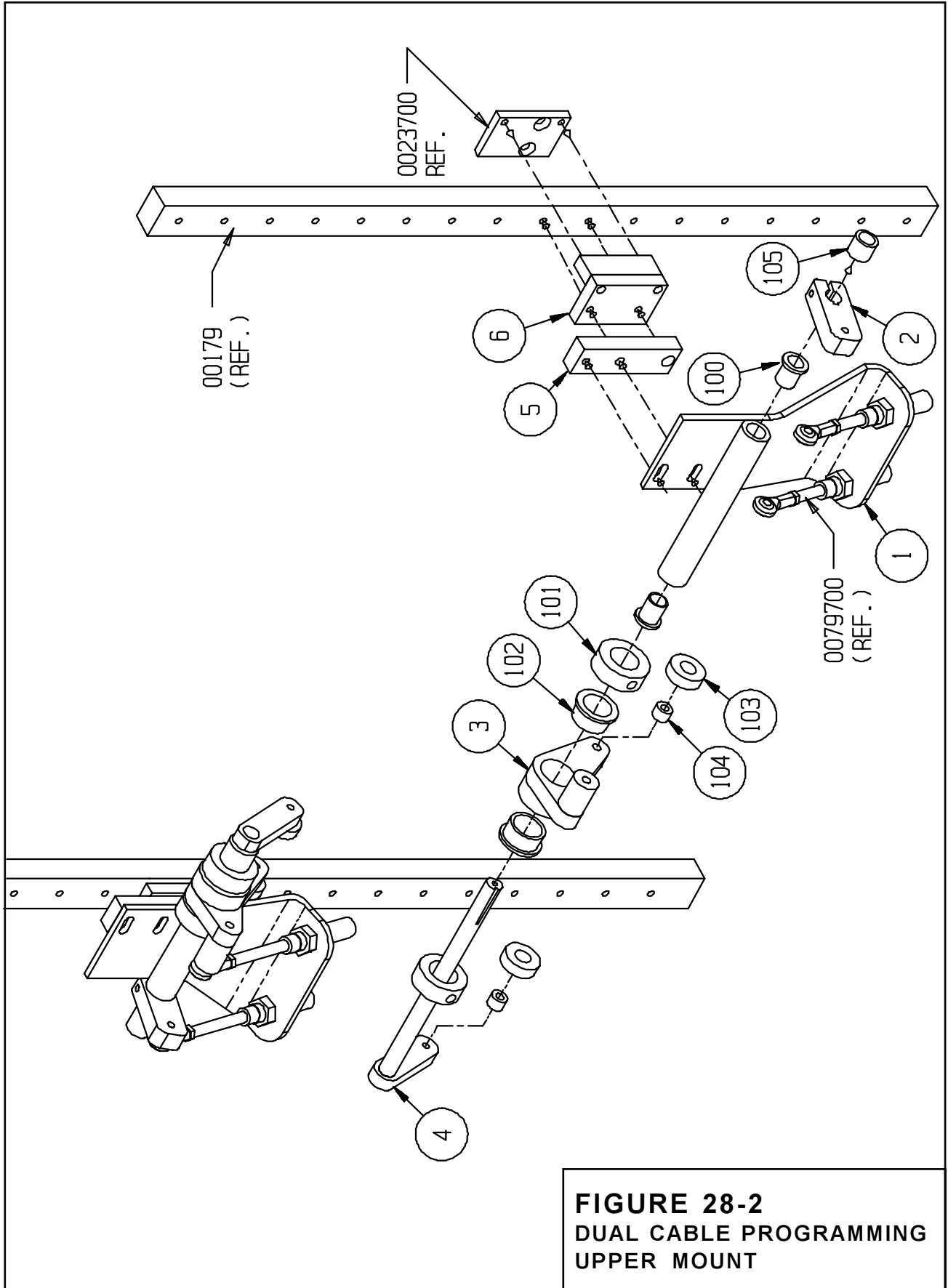


FIGURE 28-2
DUAL CABLE PROGRAMMING
UPPER MOUNT

ITEM	PART NO.	DESCRIPTION	QTY.
1	0079002	UPPER PIVOT BRACKET	1L/1R
2	0079300	ARM-UPPER PIVOT	2
3	0078601	UPPER ROLLER ARM	1L/1R
4	0078902	UPPER ROLLER ARM SHAFT	1L/1R
5	0079400	SPACER	2
6	0019700	MOUNT-MELT POT	1L/1R
100	0208100	BUSHING-BRONZE FLANGED	4
101	0100701	SET COLLAR 1 1/8 DIAMETER	4
102	0208101	BUSHING-BRONZE FLANGED	4
103	0500500	BEARING 1 3/8	4
104	0204100	BUSHING	4
105	0203300	BUSHING	2



Bliss Box Former



Option Parts & Illustrations