

Tray Box Former



**FIGURE 18-9
DOUBLE BLANK FEED ROLL &
PROGRAMMER**

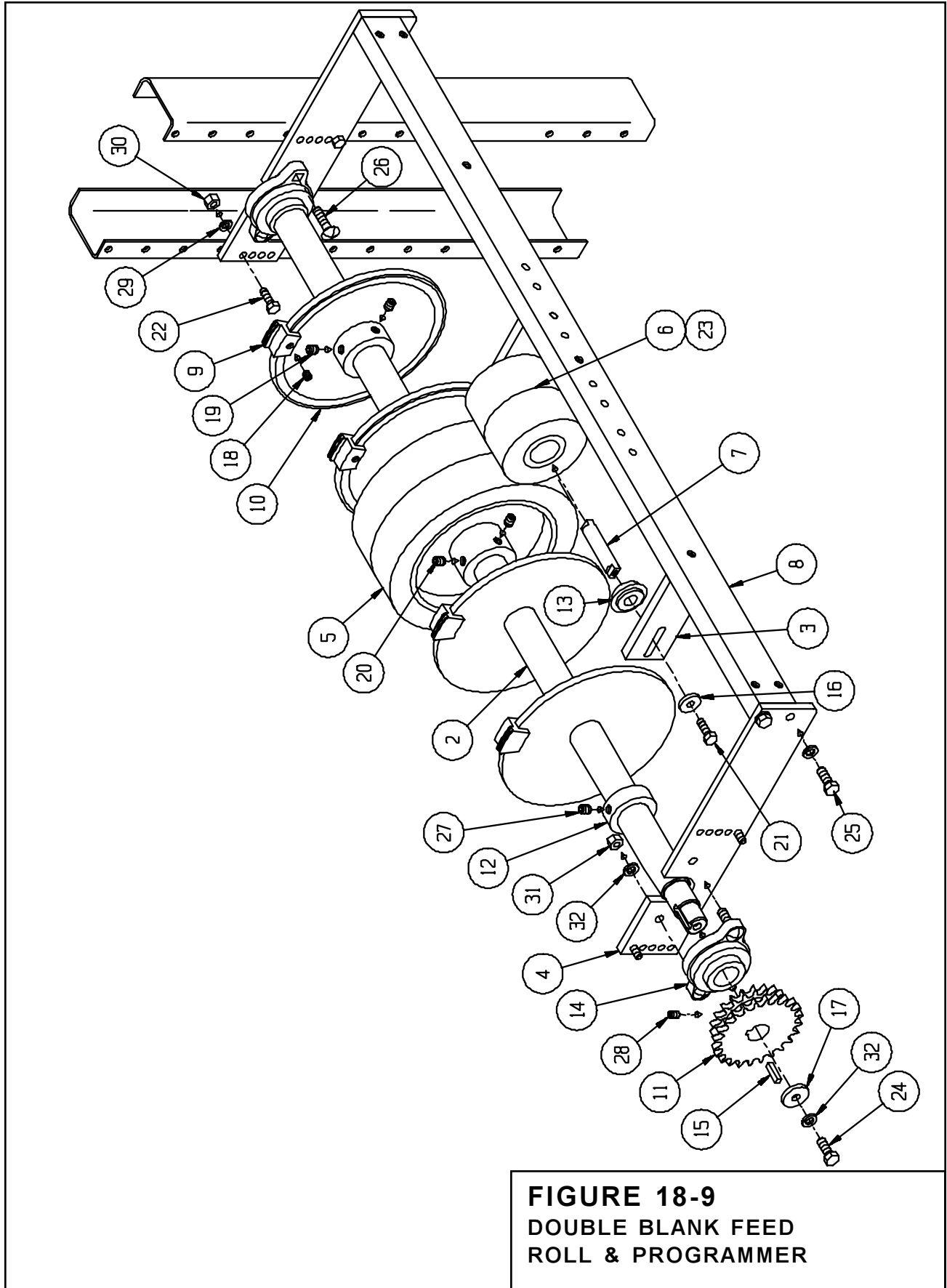
ITEM	PART NO.	DESCRIPTION	QTY.
~2	0015205	SHAFT, BLANK FEED ROLLER	1
*	0015206	SHAFT, BLANK FEED ROLLER (WB)	1
^3	0016400	MOUNT, BLANK FEED IDLE ROLL	2
~4	0017706	PLATE, BLANK FEED TRANS.	2
*	0017707	PLATE, BLANK FEED TRANS. (WB)	2
~5	0018001	WHEEL, BLANK FEED	2
*	0018002	WHEEL, BLANK FEED (WB)	2
^6	0018100	ROLLER, BLANK FEED IDLE	2
^7	0018402	AXLE, BLANK FEED IDLE ROLL	1
8	0020504	BAR, BLANK FEED IDLE ROLL MT	1
*	0020505	BAR, BLANK FD IDLE ROLL MT(WB)	1
~9	0021302	SEGMENT, ADH APPL PROGRAM	A/N
~10	0021400	DISC, INTERM ADH APP PROGRAM	4
*	0021401	DISC, ADH APP PRGRM (WB)	4
~11	00454XX	SPROCKET, VACUUM FEED DRIVE	1
~12	0100900	SET COLLAR	4
*	0101000	SET COLLAR (WB)	4
^13	0500600	BRG., BLANK FEED IDLE ROLL	4
~14	0501201	BRG., BLK FD IDLE ROLL DR SFT	2
~15	0900301	KEY, 1/4 X 1/4 1 LG	1
^16	1500102	WASHER	2
~17	1500500	WASHER	1
~18		5/16 NC X 3/8 F/P SKT SET SCR	A/N
~19	8028300	3/8 NC X 1/2 F/P SKT SET SCR	8
~20	8033700	3/8 NC X 1/2 SKT SET SCR	4
^21	8008300	5/16 NC X 1 HEX HD SCR	2
~22	8008300	5/16 NC X 1 HEX HD SCR	4
23	0205000	WASHER	1
~24	8009900	3/8 NC X 3/4 HEX HD SCR	1
25	8010000	3/8 NC X 1 1/4 HEX HD SCR	4
~26	8001500	3/8 NC X 1 3/4 CARRIAGE BOLT	4
~27		3/8 NC X 1/2 F/P SKT SET SCR	2
*		1/2 NC X 1/2 F/P SKT SET SCR(WB)	2
~28	8027000	5/16 NC X 1/2 C/P SKT SET SCR	2
~^29	8036700	5/16 LOCK WASHER	4
~30	8024400	5/16 NC NUTS	4
~31	8024500	3/8 NC NUTS	4
~32	8036800	3/8 LOCK WASHER	8

*Not Shown

Option Parts & Illustrations



Tray Box Former



Option Parts & Illustrations