

Tray Box Former



FIGURE 28-13
EXTENDED BODY HOPPER
TRAY KWIK CHANGE

ITEM	PART NO.	DESCRIPTION	QTY.
1	0018903R/L	SUPPORT, TRAY BLANK	2/2
2	0019531R/L	SUPPORT, BLANK BLADE	1/1
3	0013608	HOPPER, SUPPORT BRACKET	1
4	0084301	TREE, VERTICLE BLANK GUIDE	2



Tray Box Former

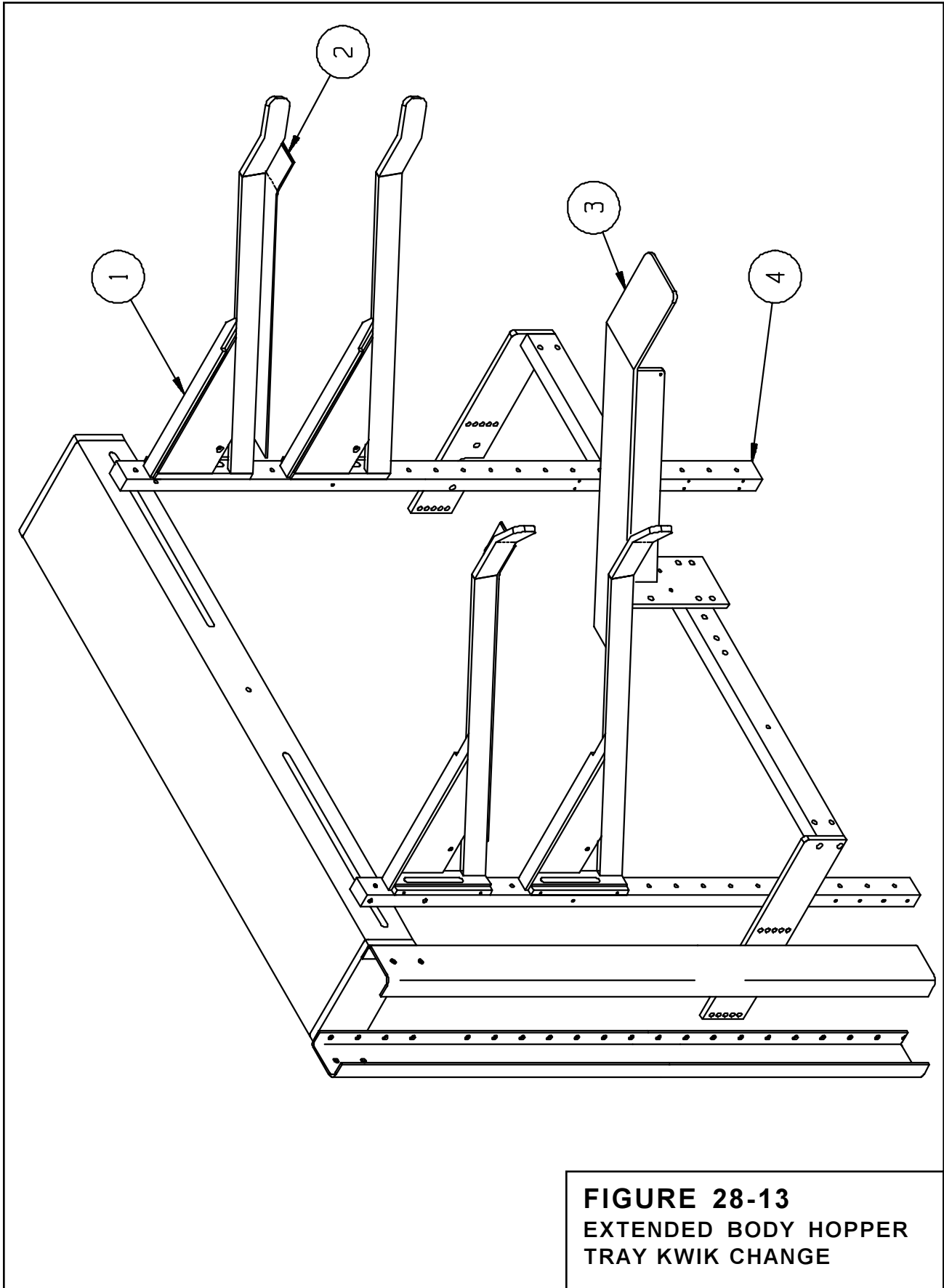


FIGURE 28-13
EXTENDED BODY HOPPER
TRAY KWIK CHANGE

Option Parts & Illustrations