

Tray Box Former



FIGURE 22-3
MANDREL GUIDE ASSEMBLY
KWIK CHANGE

ITEM	PART NO.	DESCRIPTION	QTY.
1	0087700	CAP, MANDREL GUIDE	2
2	0087800	SPACER, MANDREL GUIDE CAP	2
3	0026400	GIB, MANDREL BASE	2
4	0083500R/L	BASE, MANDREL GUIDE	1
5	0083600	BAR, MANDREL GUIDE SUPPORT	2
6	2100801	BAR, MANDREL SPREADER	2
7	0021500	PLATE, BASE CLAMP	4
8	0019604	STUD, CLAMP SUPPORT	4
100		1/4-20 HEX HD CAP SCR X 1	8
101		1/4 STD LOCK WASHER	10
103		1/4-20 SCKT FLT HD SCR X 1/2	8
104		3/8-16 SCKT HD CAP SCR X 1	6
105		1/4-20 HEX HD CAP SCR X 1 1/4	2
106		3/8-16 HEX HD CAP SCR X 1 1/4	4
107		3/8 STD LOCK WASHER	8
108		3/8-16 HEX HD CAP SCR X 2 1/4	4
109		3/8-16 STD HEX NUT	4



Tray Box Former

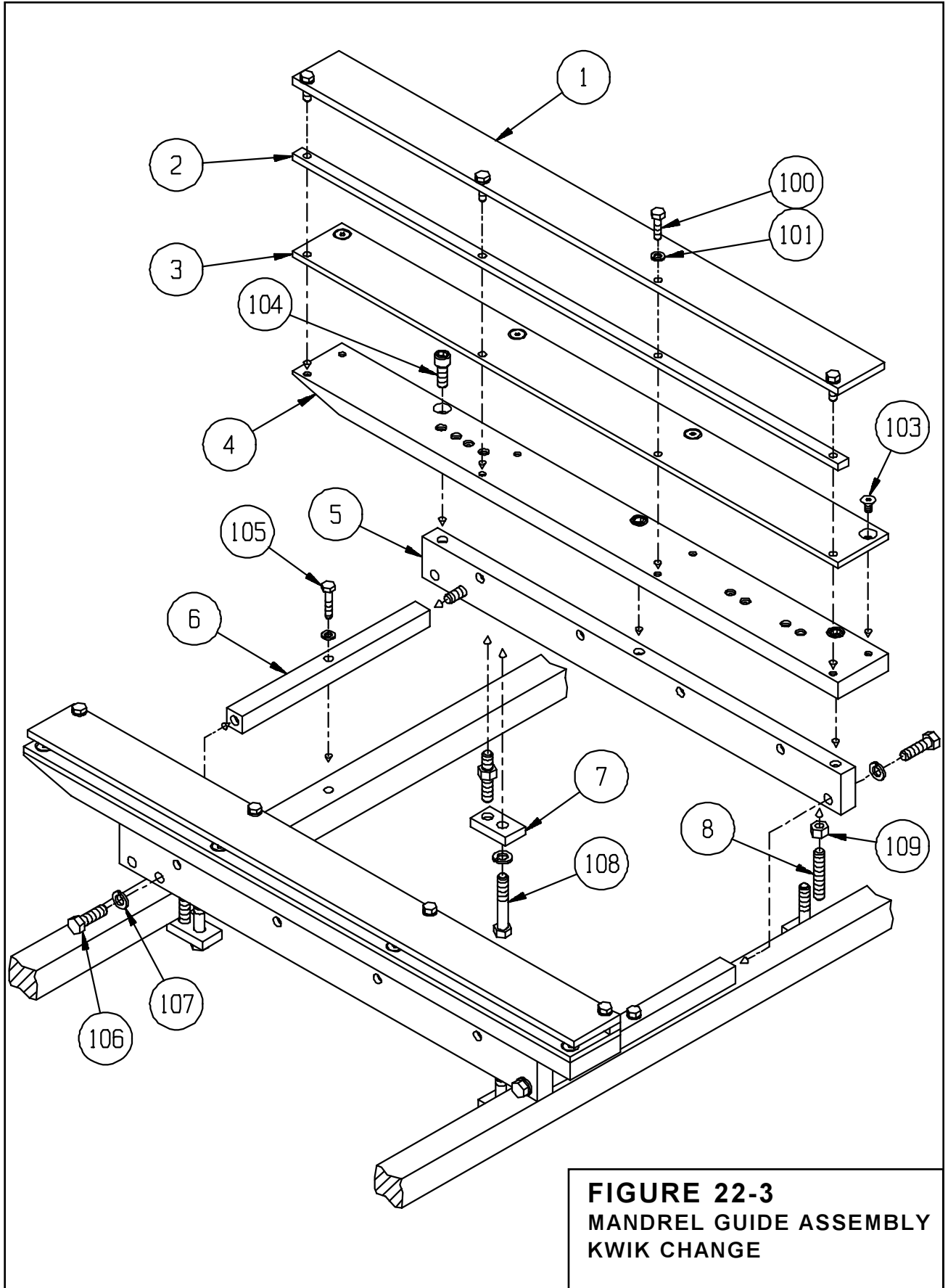


FIGURE 22-3
MANDREL GUIDE ASSEMBLY
KWIK CHANGE

Option Parts & Illustrations

Tray Box Former

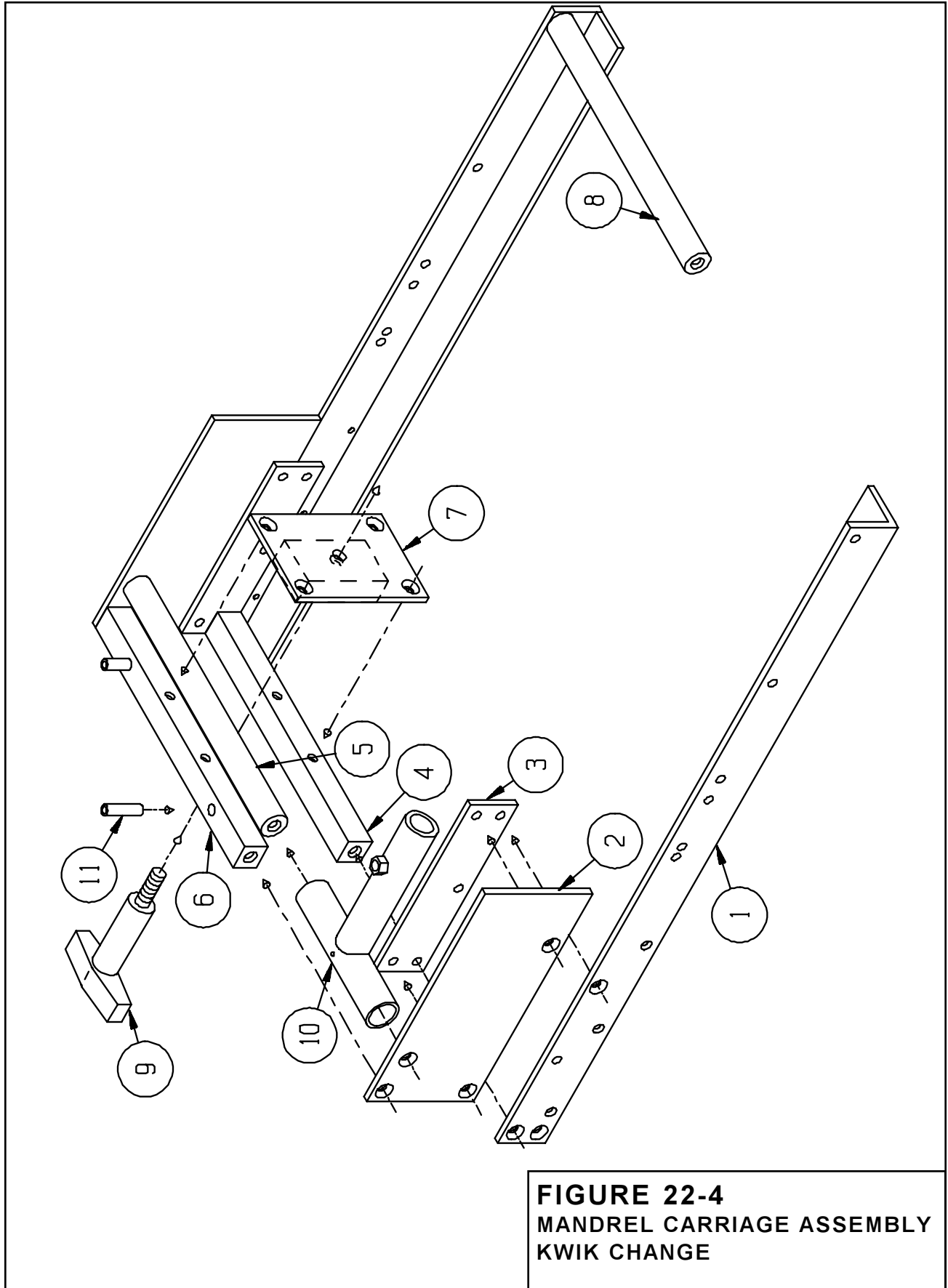


FIGURE 22-4
MANDREL CARRIAGE ASSEMBLY
KWIK CHANGE

ITEM	PART NO.	DESCRIPTION	QTY.
1	2100000	CARRIAGE RAIL R/L	1/1
2	2100101	PLATE, CARRIAGE R/L	1/1
3	0022000	PLATE, MANDREL SUPPORT	2
4	2100401	BAR, LOWER CARRIAGE SPREADER	1
5	2100301	BAR, CARRIAGE SPREADER PIVOT	1
6	2100501	BAR, UPPER CARRIAGE SPREADER	1
7	2100601	CARRIAGE MOUNT	1
8	2100201	BAR, REAR CARRIAGE SPREADER	1
9	2100700	HANDLE, CARRIAGE	1
10	0035600	CON ROD END, MANDREL	1
11	0700700	3/8" X 1 1/2 LG ROLL PIN	2



Tray Box Former



Option Parts & Illustrations

Tray Box Former



FIGURE 22-5
TRAY CORNER POST
MANDREL ASSEMBLY-KC

ITEM	PART NO.	DESCRIPTION	QTY.
1	0029400	PLATE, MANDREL WEAR	4
2	2100901	PLATE, MANDREL	2
3	2100902	PLATE, MANDREL L/R	1/1
4	0208300	BUSHING C/P	8
5	2101200	BAR, REAR MANDREL SPREADER	2
6	2101000	BAR, FRONT MANDREL SPREADER	2
7	2101300	BAR, MANDREL SPREADER MOUNT	1
8	2101100	ANGLE, CARRIAGE MOUNT L/R	1/1
9	2101400	PLATE, ANGLE	1
100	1502300	1" DIA. WASHER	8
101	1502400	1" DIA. SQUARE WASHER	10

Hardware Not Shown



Tray Box Former

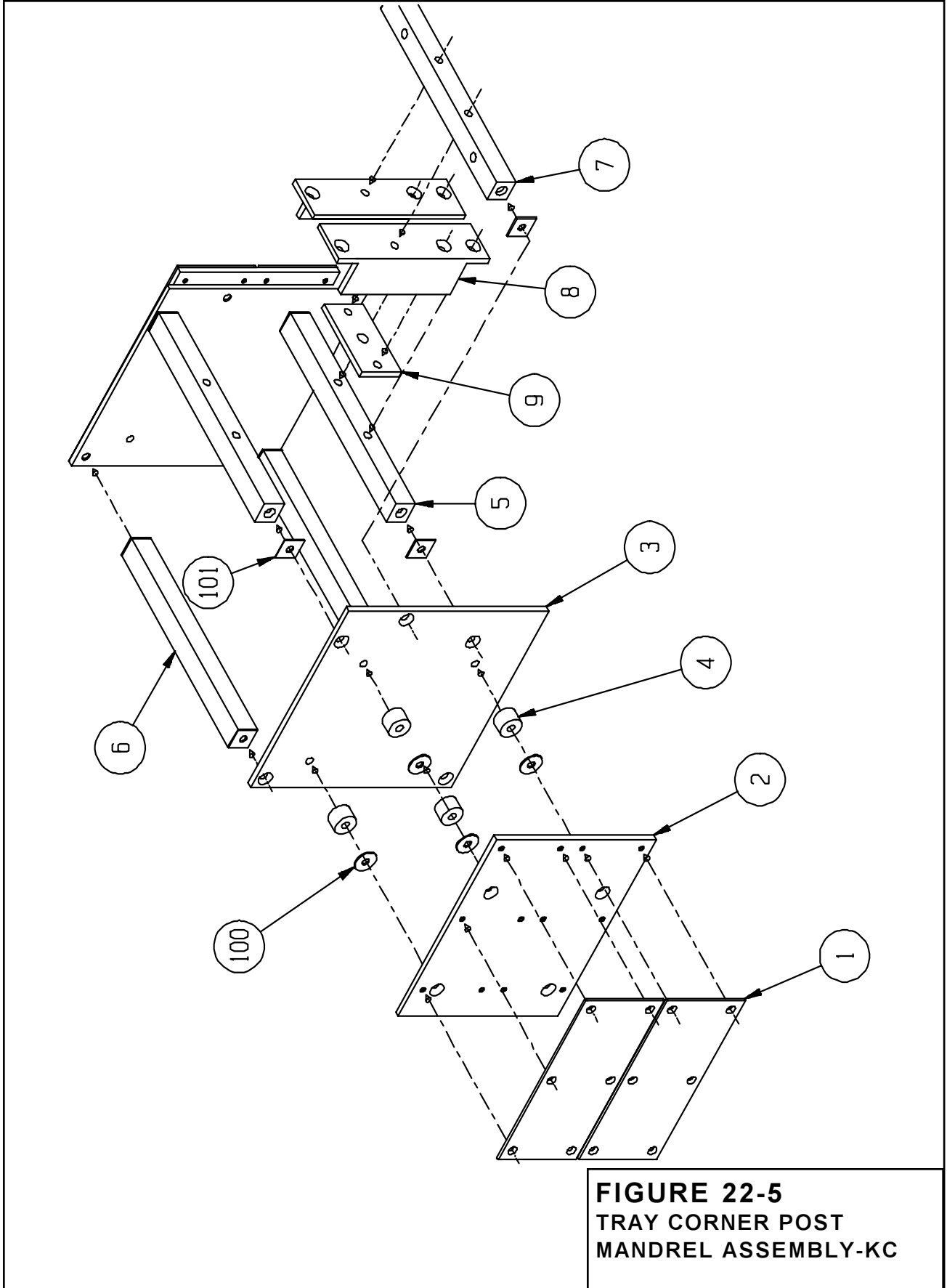


FIGURE 22-5
TRAY CORNER POST
MANDREL ASSEMBLY-KC

Option Parts & Illustrations