

Bliss Box Former

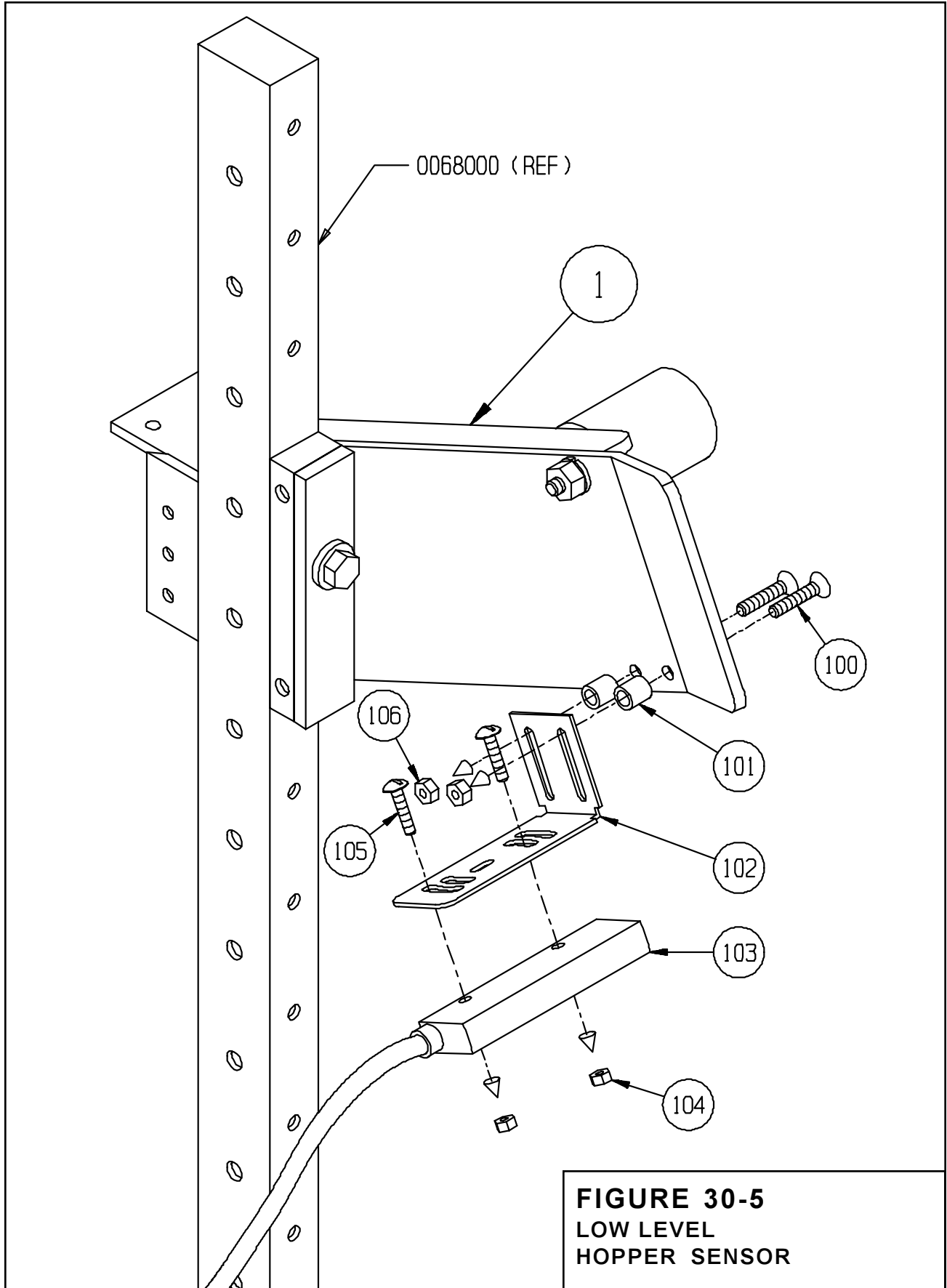


FIGURE 30-5
LOW LEVEL HOPPER SENSOR

ITEM	PART NO.	DESCRIPTION	QTY.
1	9100400R/L	GUIDE-BOX END	1/1
100		#10-32NF SCKT FLT HD SCR X 1	4
101	0204200	BUSHING	4
102	9007100	BRACKET, UNIVERSAL	2
103	9105400	SENSOR	2
104		#8-32NC FIBER LOCK NUT	4
105		#8-32NC ROUND SLOT SCR X 3/4	4
106		#10-32NF FIBER LOCK NUT	4



Bliss Box Former



Option Parts & Illustrations

Bliss Box Former

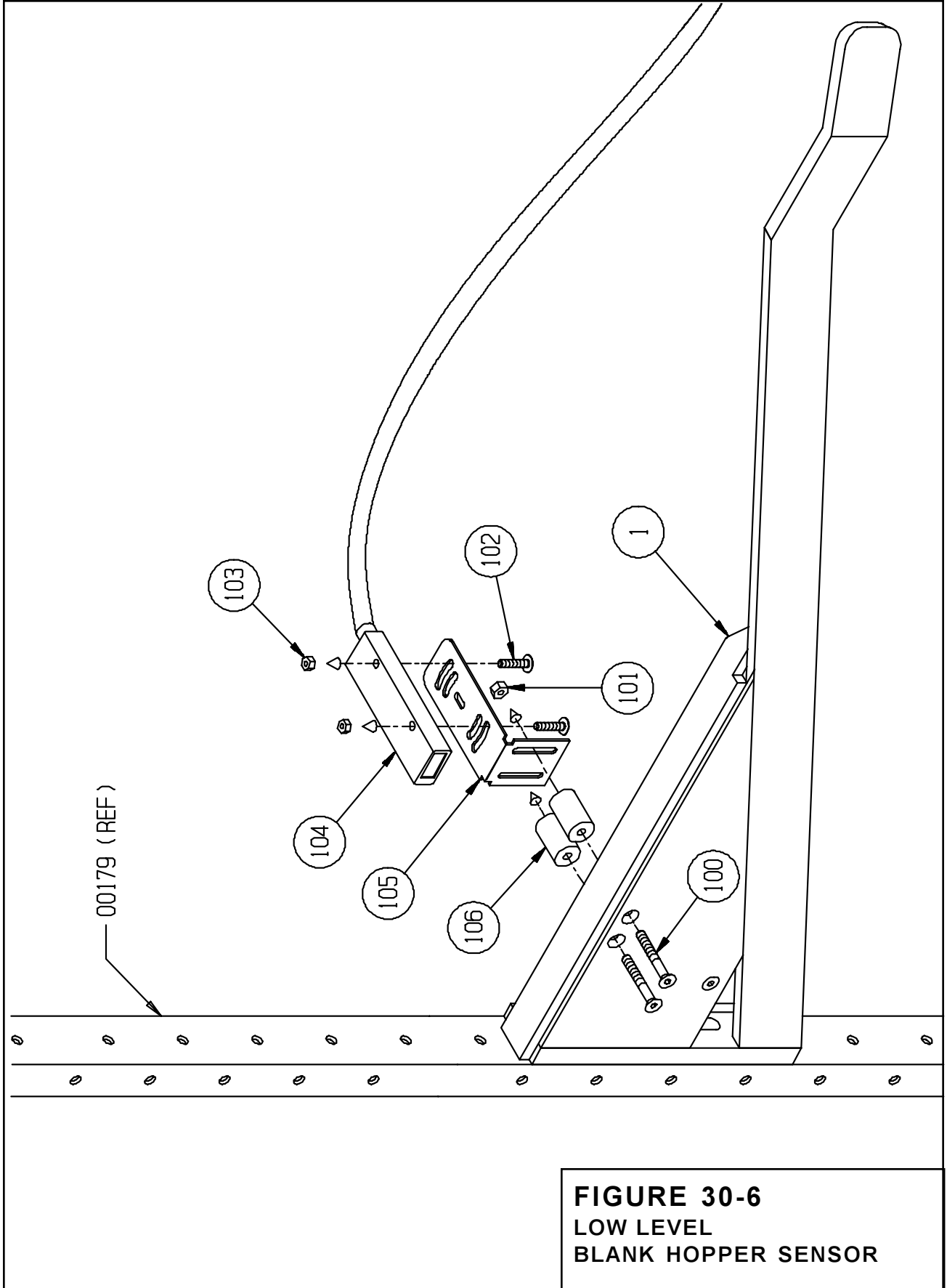


FIGURE 30-6
LOW LEVEL BLANK HOPPER SENSOR

ITEM	PART NO.	DESCRIPTION	QTY
1	9100500R/L	SUPPORT, BLANK TRAY	1/1
100		#10-32NF SCKT FLT HD SCR X 1 1/2	2
101		#10-32NF FIBER LOCK NUT	2
102		#8-32NC ROUND SLOT SCR X 3/4	2
103		#8-32NC FIBER LOCK NUT	2
104	9105400	SENSOR	1
105	9007100	BRACKET, UNIVERSAL	1
106	0206700	BUSHING	2



Bliss Box Former



Option Parts & Illustrations