

Tray Box Former



FIGURE 43-18
LOW LEVEL / HOPPER SENSOR
TRAY KWIK CHANGE

ITEM	PART NO.	DESCRIPTION	QTY.
100		#10-32 SKT FLT HD X 1 1/2	2
101		#10-32 FIBER LOCK NUT	2
102		#8-32 ROUND SLOT HD X 3/4	2
103		#8-32 FIBER LOCK NUT	2
104	1814900	SENSOR/BRACKET	1
105	0200700	BUSHING	2



Tray Box Former

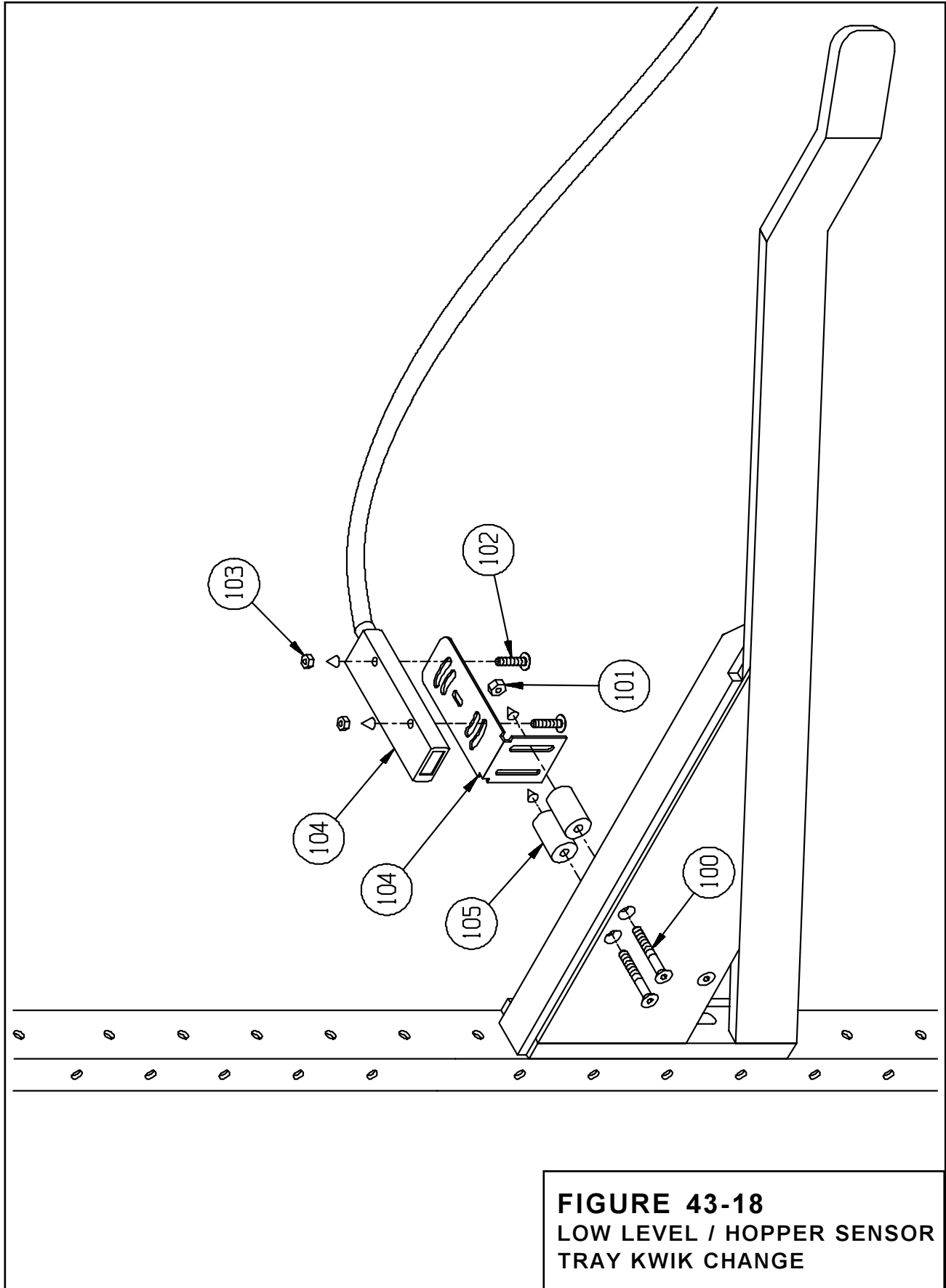


FIGURE 43-18
LOW LEVEL / HOPPER SENSOR
TRAY KWIK CHANGE

Option Parts & Illustrations