

Bliss Box Former



FIGURE 21-1
MANDREL GUIDE RAIL
POWER OUTFEED ASSEMBLY

ITEM	PART NO.	DESCRIPTION	QTY.
1	0059200	SPACER, REAR STACKUP	4
2	0025200	SPACER, END HOPPER	2
3	0059201	SPACER, FRONT STACKUP	6

Option Parts & Illustrations



Bliss Box Former

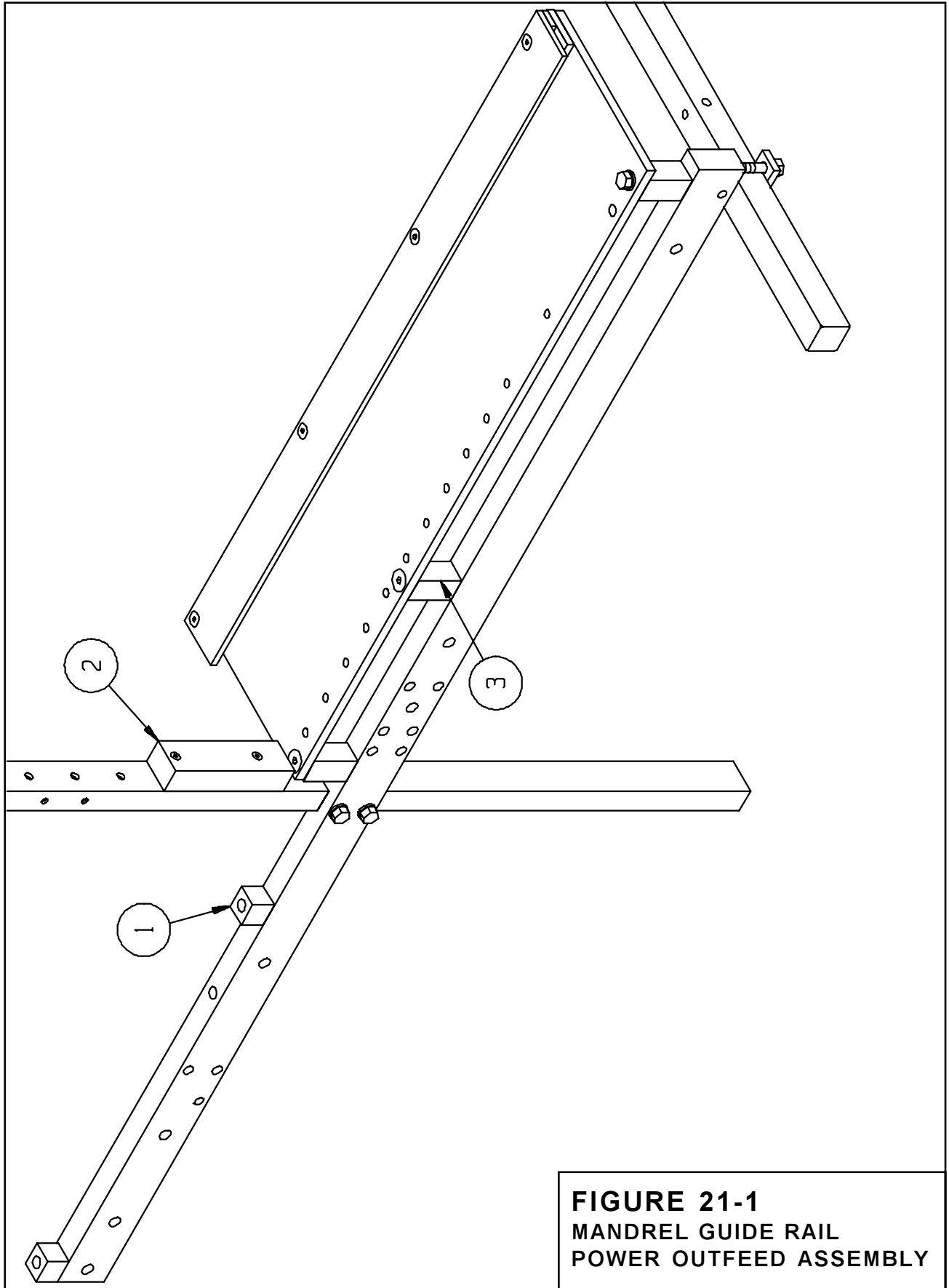


FIGURE 21-1
MANDREL GUIDE RAIL
POWER OUTFEED ASSEMBLY

Option Parts & Illustrations

Bliss Box Former



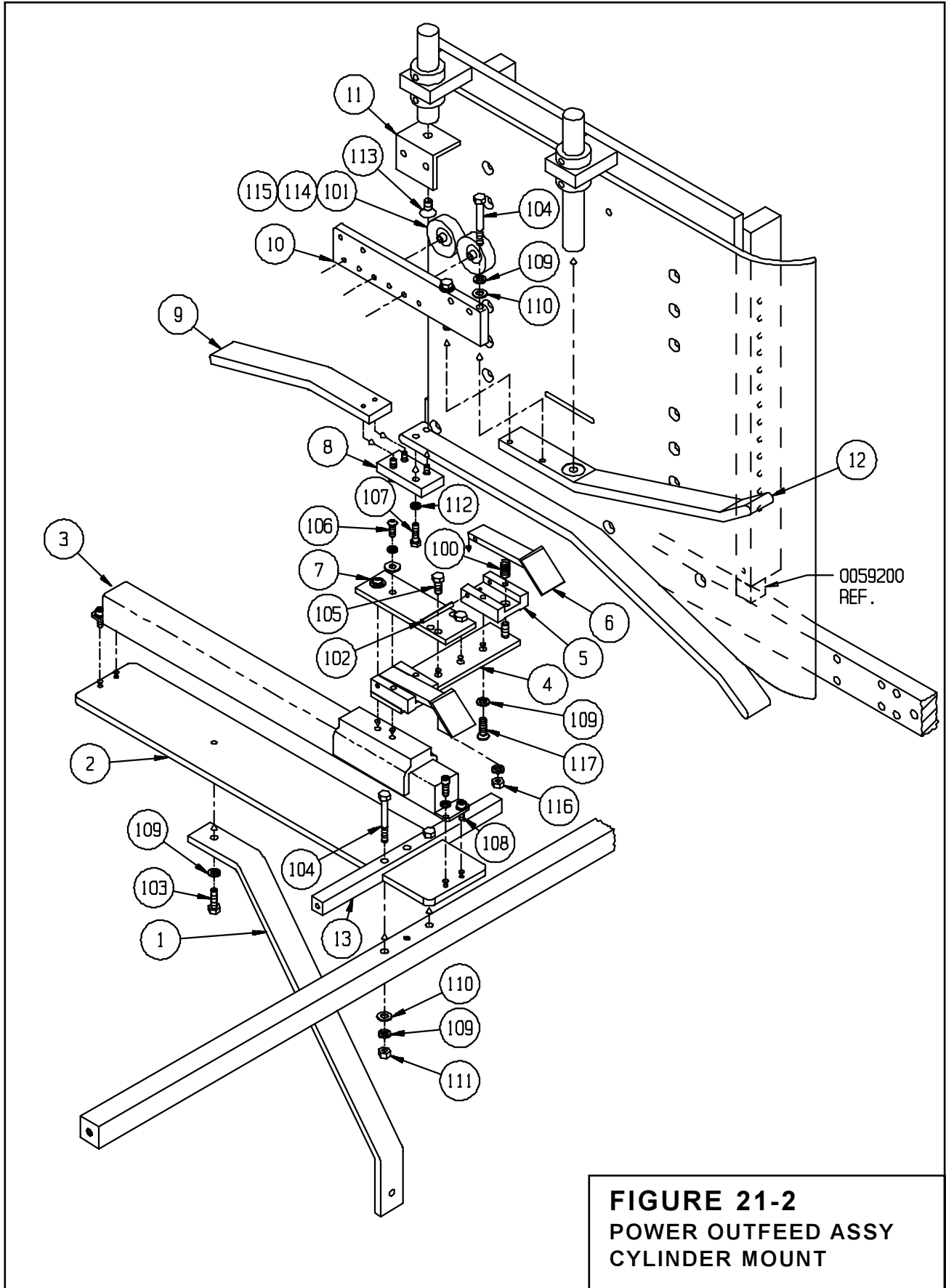
FIGURE 21-2
POWER OUTFEED ASSEMBLY
CYLINDER MOUNT

ITEM	PART NO.	DESCRIPTION	QTY.
1	0060000	BRACE, CYLINDER MTG PLATE	1
2	0058200	MOUNT, AIR CYLINDER	1
3	0059300	AIR CYLINDER	1
4	0058100	MOUNT, OUTFEED PAWL	1
5	0043301	MT BLOCK, END PICK PAWL	2
6	0059700	PAWL, EJECTOR	2
7	0058500	BRACKET, PAWL PLATE MT	1
8	0058400	SPLICE, DISCHARGE SHOE	2
9	0058300	SHOE, BOTTOM DISCHARGE	2
10	0052801	MOUNT, SKATE WHEEL	2
11	0052900R/L	ANGLE, VERTICLE ADJ. ROD	1/1
12	0063403R/L	SHOE, UPPER BOX FORMING	1/1
13	0074100	SPREADER BAR, POWER OUTFEED	1
100	1200200	SPRING	2
101	0500300	WHEEL, SKATE	8
102	0700308	ROLL PIN	2
103	8008300	5/16-18 HEX HD CAP SCR X 1 LG	1
104	8008900	5/16-18 HEX HD CAP SCR X 2 1/2	6
105	8008200	5/16-18 HEX HD CAP SCR X 3/4 LG	2
106	8000700	1/4-20 BUTTON HD SCR X 3/4 LG	2
107	8007000	1/4-20 HEX HD CAP SCR X 1 LG	8
108	8002700	1/4-20 SCKT HD SCR X 3/4 LG	4
109	8036700	5/16 LOCK WASHER	13
110	8035800	5/16 SAE FLAT WASHER	6
111	8024400	5/16-18 HEX NUT	4
112	8036600	1/4 LOCK WASHER	12
113	8005300	3/8-16 FLAT SCKT HD SCR X 3/4	2
114	8007100	1/4-20 HEX HD CAP SCR X 1 1/4	A/N
115	8035700	1/4 SAE FLAT WASHER	A/N
116	8024300	1/4-20 HALF HEX NUT	2
117	8000800	5/16-18 BUTTON HD SCR X 1 LG	4

Option Parts & Illustrations



Bliss Box Former



Option Parts & Illustrations

Bliss Box Former



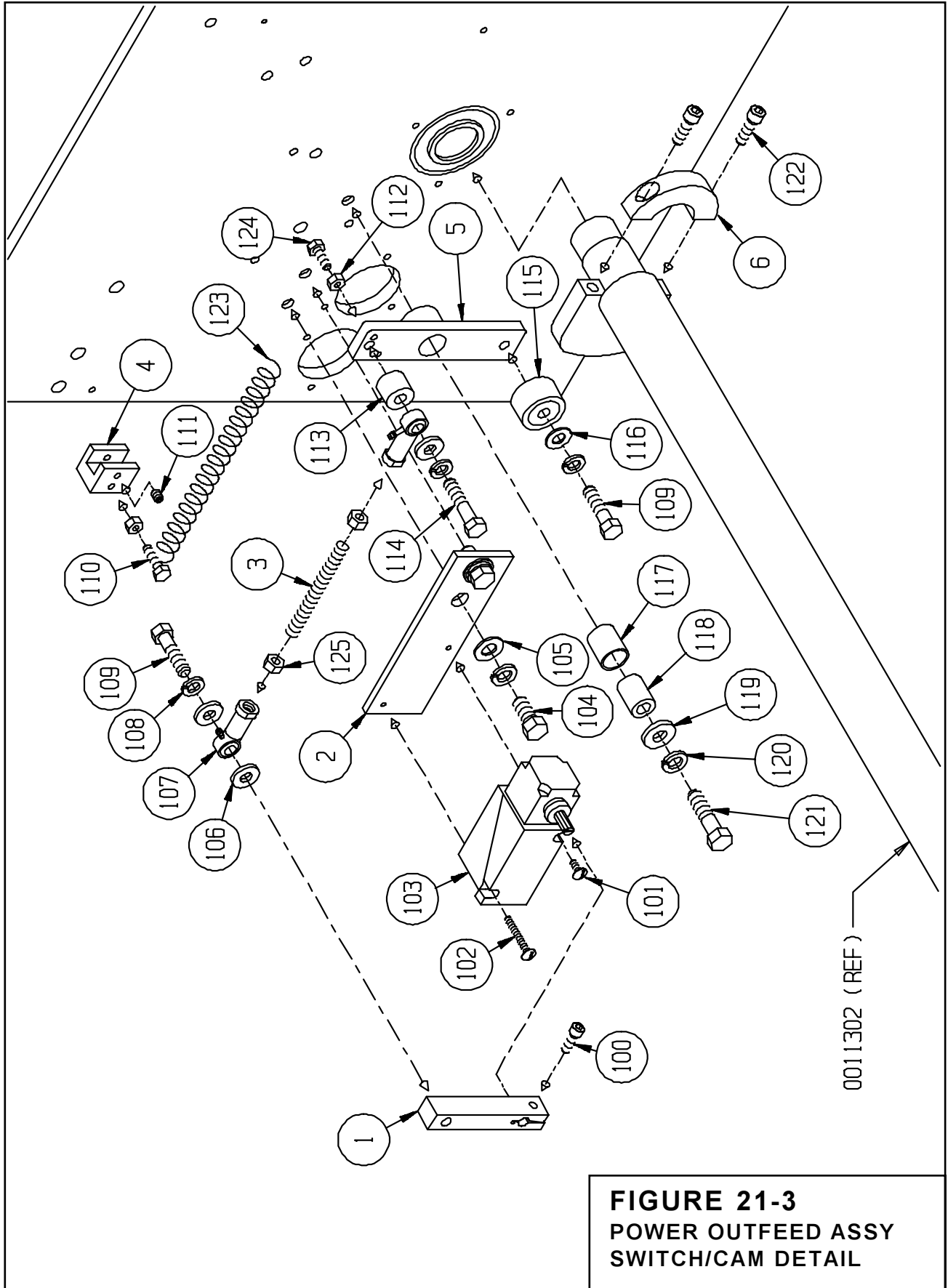
FIGURE 21-3
POWER OUTFEED ASSEMBLY
SWITCH/CAM DETAIL

ITEM	PART NO.	DESCRIPTION	QTY.
1	0059600	ARM, LIMIT SWITCH	1
2	0058700	MOUNT, LIMIT SWITCH	1
3	0059500	LEVER, POWER OUTFEED	1
4	0058600	MOUNT, LIMIT SWITCH SPRING	1
5	0059400	WELDMT, CAM PIVOT ARM	1
6	0060100	CAM, POWER OUTFEED	1
100	8017900	1/4-20 SCKT HD CAP SCR X 3/4	1
101	8016900	#10-32 ROUND SLOT SCR X 1/2	1
102	8017300	#10-32 ROUND SLOT SCR X 1 1/2	1
103	0060200	LIMIT SWITCH	1
104	8011700	7/16-14 HEX HD CAP SCR X 1	2
105	8036000	7/16 STD FLAT WASHER	1
106	1500200	WASHER	3
107	0501001	3/8 ROD END	2
108	8036800	3/8 STD LOCK WASHER	3
109	8010200	3/8-16 HEX HD CAP SCR X 1 1/2	2
110	8007000	1/4-20 HEX HD CAP SCR X 1	1
111	8026700	1/4-20 CUP POINT SET SCR X 3/8	1
112	8024300	1/4-20 HEX NUT	2
113	0204600	BUSHING	1
114	8010300	3/8-16 HEX HD CAP SCR X 1 3/4	1
115	0500700	1 3/8 ROLLER BEARING	1
116	8035900	3/8 STD FLAT WASHER	1
117	0200100	BUSHING, BRONZE	1
118	0203000	BUSHING	1
119	1500100	WASHER	1
120	8036900	7/16 STD LOCK WASHER	1
121	8012000	7/16-14 HEX HD CAP SCR X 1 3/4	1
122	8032700	5/16-18 SOCKET HD CAP SCR X 1	2
123	1202700	SPRING	1
124	8006900	1/4-20 HEX HD CAP SCR X 3/4	1
125	8023200	3/8-24 HEX NUT	2

Option Parts & Illustrations



Bliss Box Former



Option Parts & Illustrations

Bliss Box Former

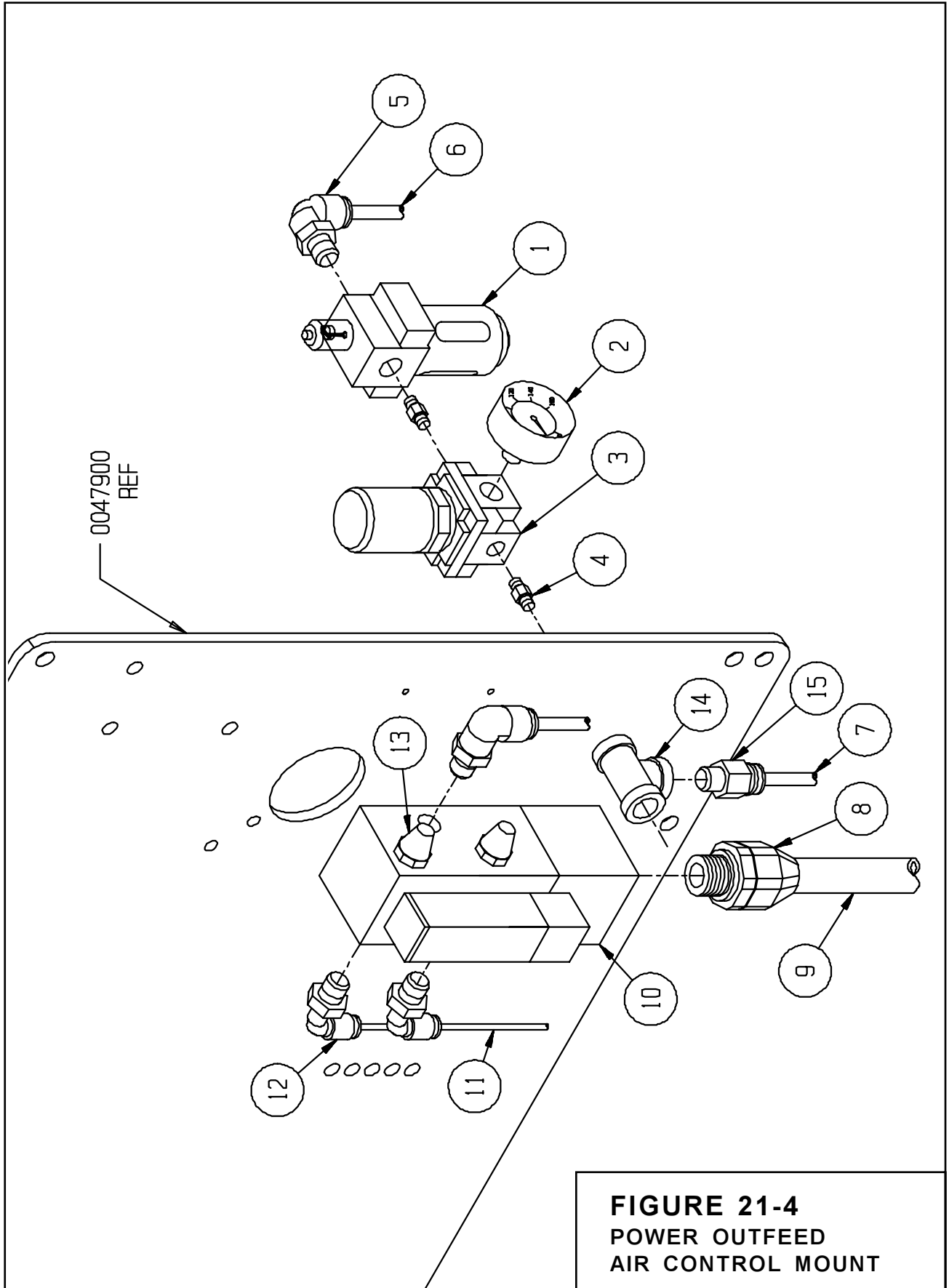


FIGURE 21-4
POWER OUTFEED
AIR CONTROL MOUNT

ITEM	PART NO.	DESCRIPTION	QTY.
1	0057200	LUBRICATOR, 1/4" NPT	1
3	0056900	AIR REGULATOR, 1/4" NPT	1
4	1815100	BRASS FITTING, 1/4" NPT	2
5	1804000	BRASS FITTING, 90 DEG	2
6	0037300	POLY FLOW TUBE, 3/8"	3'
7	0037300	POLY FLOW TUBE, 3/8"	7'
8	1802700	CONNECTOR, 3/8"	1
9	1802900	FLEX HOSE, 3/8"	6'
10	0059800	SOLENOID VALVE, 1/4"	1
11	1808000	POLY FLOW TUBE, 1/4"	20'
12	1804001	BRASS FITTING	2
13	0057000	AIR FILTER, 1/4" NPT	2
14	1808700	TEE, 1/4" GALV.	1
15	1804100	BRASS FITTING	1



Bliss Box Former



Option Parts & Illustrations