

Tray Box Former



FIGURE 22-1
TRAY CORNER POST
PLOW BRACKET ASSEMBLY

ITEM	PART NO.	DESCRIPTION	QTY.
1	0081000	BRACKET, CABLE	1
2	0028800	PLATE, BAR CLAMP	2
3	0028700	BRACKET-FORM SHOE	4
4	0029001	BAR-FORM SHOE, SIDE	2
5	0094900	MOUNT, HORIZONTAL BAR	2
6	0028801	PLATE, BAR CLAMP	2
7	0080700	BLOCK, SPACER	4
8	0080800	BAR, BACKUP BOLTING	4
9	0080600	BLOCK, SPACER	4
10	0080900	BAR, BEARING BOLTING	4
11	0081300	TOP PLOW SHAFT-36 11/16 (SB)	1
	0081301	TOP PLOW SHAFT-48 11/16 (WB)	1
12	0080500	PLOW L/R	2/2
13	0081100	BRACKET, LOWER MOUNT	1
14	0012801	CLAMP	1
15	0081400	BTM PLOW SHAFT-41 3/4 (SB)	1
	0081401	BTM PLOW SHAFT-53 3/4 (WB)	1
16	0081600	UPPER CABLE, 3-84	1
17	0081500	LOWER CABLE, 3-72	1
100	0501101	BEARING	4
101	1501100	WASHER	4
103	0100700	SET COLLAR, 1" ID	8

Hardware Not Shown



Tray Box Former

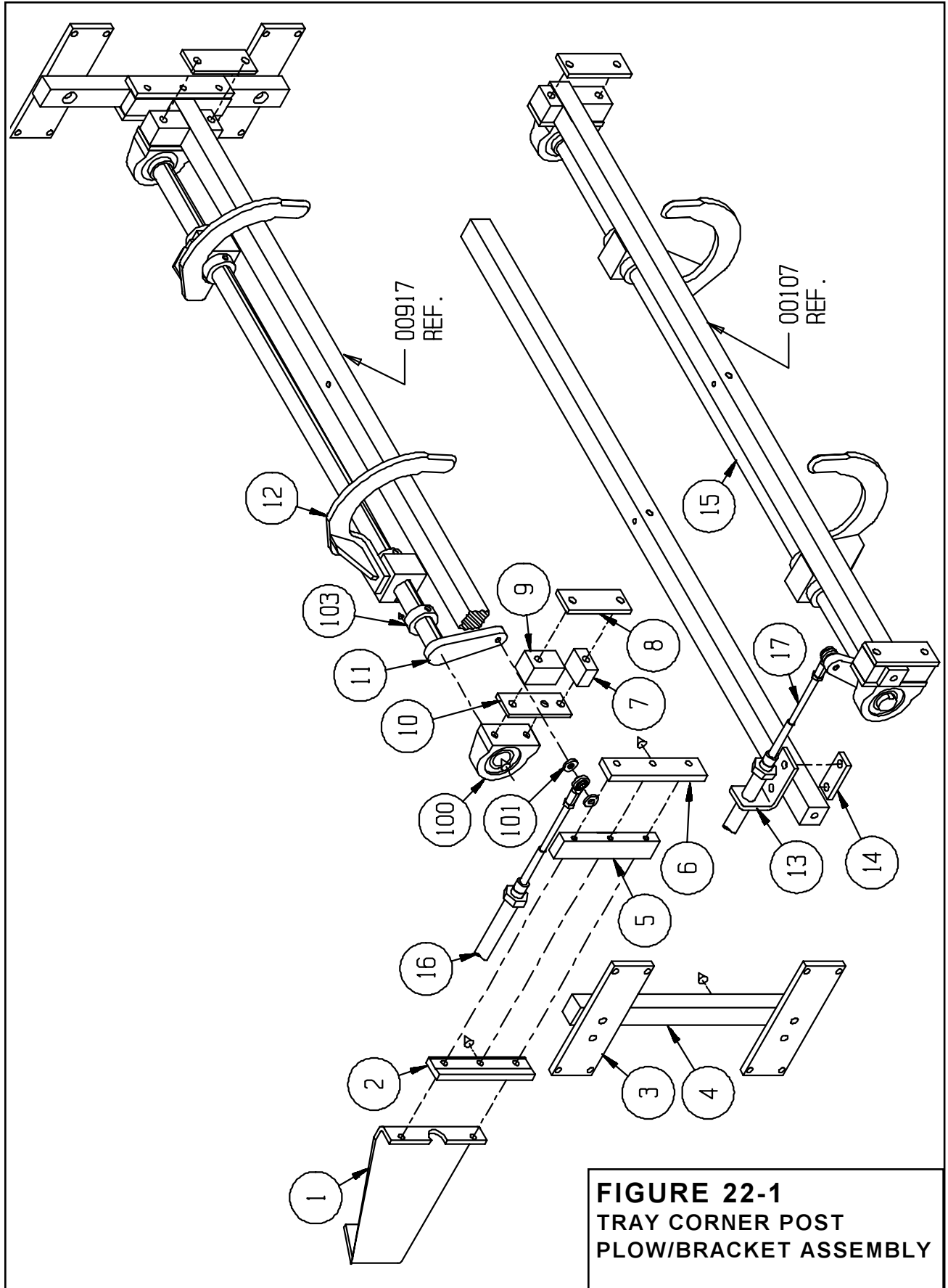


FIGURE 22-1
TRAY CORNER POST
PLOW/BACKET ASSEMBLY

Option Parts & Illustrations

Tray Box Former



FIGURE 22-2
MINOR FLAP FOLDING PLOW
ASSEMBLY

ITEM	PART NO.	DESCRIPTION	QTY.
1	0081400	BOTTOM PLOW SHAFT	REF
2	0010703	SPREADER, FRAME	REF
3	0080500L/R	PLOW, CORNER POST	REF
4	0034100	BAR, SHOE BOX FORMING CLAMP	4
5	0054204L/R	MOUNT, COMP. BEARING	2/2
6	0022605	ROD, TRAY FORM COMPRESSION	2
7	0019103	SHOE, TRAY FORMING GUIDE	4
8	0031504	PLATE, TRAY COMPRESSION EXT	4
9	0014701R/L	SHOE, TRAY FORMING	2/2
10	0200900	SPACER, TRAY COMP. PLATE	4
11	0204800	SPACER, TRAY COMP PLATE	4
12	0207100	SPACER, OUTSIDE FLAP FORMING	8
100		1/4-20HEX HD CAP SCR X 2 1/4	4
101		1/4-20 HEX HD CAP SCR X 1 3/4	4
102		1/4 STD LOCK WASHER	8
103		1/4-20 SKT HD CAP SCR X 2 1/4	4
104		3/8-16 HEX HD CAP SCR X 3/4	8
105		3/8 STD LOCK WASHER	8
106		3/8-16 HEX HD HALF NUT	8
107	1200800	SPRING	8
108		3/8 SAE FLAT WASHER	8
109		3/8-16 HEX HD CAP SCR X 1 3/4	8
110		5/16 STD LOCK WASHER	16
111		5/16-18 HEX HD CAP SCR X 1	16
112	0501101	BEARING	2

Option Parts & Illustrations



Tray Box Former

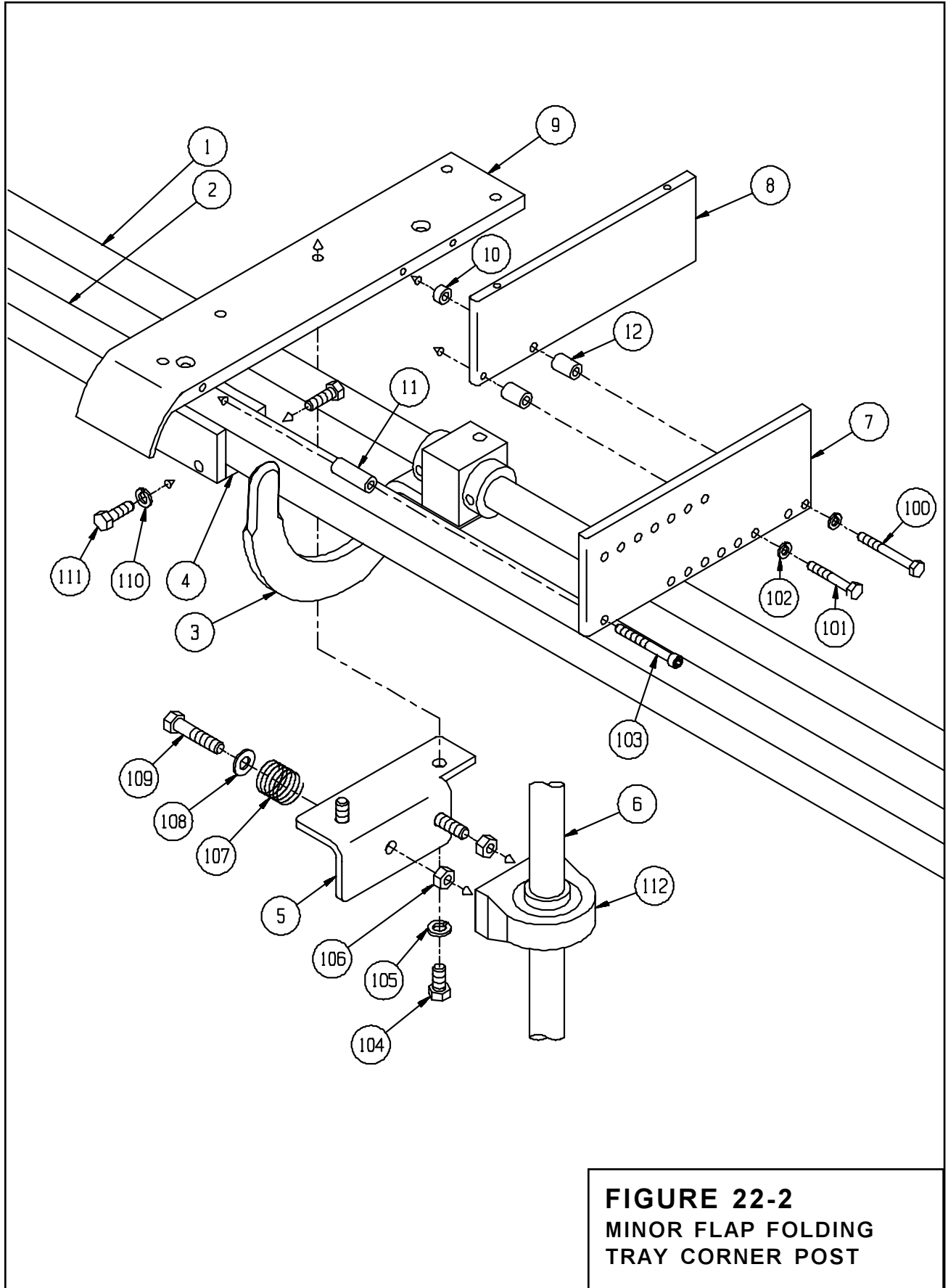


FIGURE 22-2
MINOR FLAP FOLDING
TRAY CORNER POST

Option Parts & Illustrations

Tray Box Former



FIGURE 22-3
TRAY CORNER POST
CAM/BRACKET ASSEMBLY

ITEM	PART NO.	DESCRIPTION	QTY.
1	0061501	BAR, LOWER MOUNT	1
2	0081200	BRACKET, LOWER CABLE	1
3	0080400	ROLLER ARM	2
4	0081700	BUSHING, LEVER	2
5	0080100	CAM	1
6	0080300	CAM, ARM MOUNT	1
7	0012801	CLAMP	1
100	0081500	CABLE, LOWER (72")	1
101	0081600	CABLE, UPPER (84")	1
102	1202700	SPRING	2
103		3/8-16 HEX HD CAP SCR X 2 1/4 LG	6
104		5/16-18 HEX HD CAP SCR X 2 LG	2
105	0208200	BUSHING, BRONZE	2
106	1500600	WASHER	2
107	1501100	WASHER	4
108	1500101	WASHER	2
109	0500700	CAM FOLLOWER	1
110		3/8 STD FLAT WASHER	1
111		3/8-16 HEX HD CAP SCR X 3 LG	1
112		7/16-14 HEX HD CAP SCR X 4 LG	1
113		3/8-16 HEX HD CAP SCR X 1 3/4 LG	2
114	0501002	ROD-END 5/16	4
115		3/8 STD LOCK WASHER	7



Tray Box Former

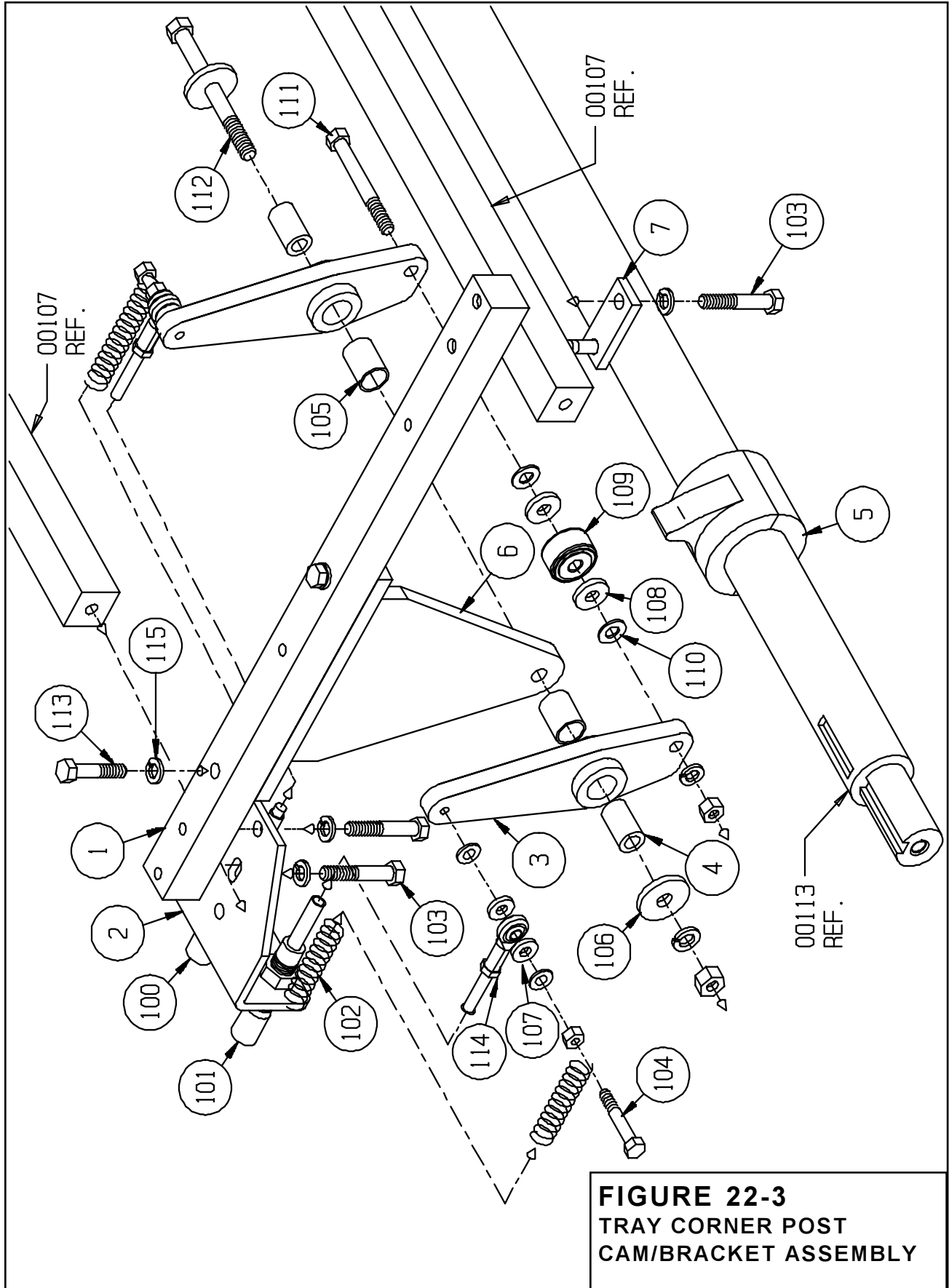


FIGURE 22-3
TRAY CORNER POST
CAM/BRACKET ASSEMBLY

Option Parts & Illustrations