

Tray Box Former



FIGURE 10-12
SWIVEL WHEEL
FRAME ATTACHMENT

ITEM	PART NO.	DESCRIPTION	QTY.
1	0043701	PLATE, SWIVEL	4
2	0043700R/L	ADAPTER, SWIVEL	2/2
3	1812900	WHEEL, SWIVEL	4
4	00106XX	FRAME	REF
100	8006750	3/4-10 SCKT FLT HD SCR X 2	4
101	8006701	1/2-13 SCKT FLT HD SCR X 2	8
102	8036800	3/8 LOCK WASHER	16
103	8010000	3/8-16 HEX HD CAP SCR X 1	16
104	8008200	5/16-18 HEX HD CAP SCR X 3/4	4
105	8011700	7/16-14 HEX HD CAP SCR X 1	4
106	8011900	7/16-14 HEX HD CAP SCR X 1 1/2	4
107	8035800	5/16 SAE FLAT WASHER	4



Tray Box Former

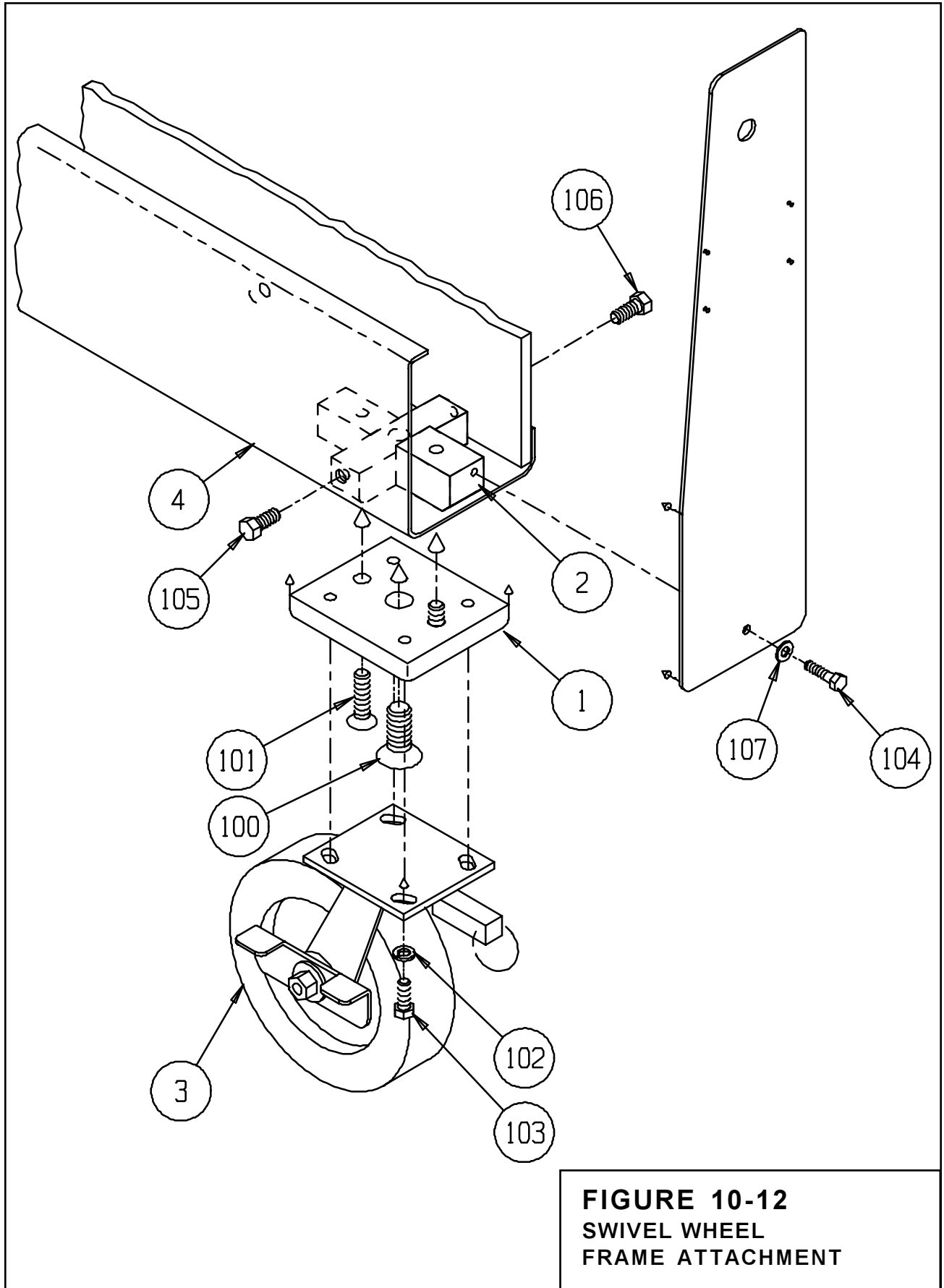


FIGURE 10-12
SWIVEL WHEEL
FRAME ATTACHMENT

Option Parts & Illustrations