



## 9.0 Option Parts & Illustrations-Tray Kwik Change

### INTRODUCTION

This section lists and illustrates the replaceable assemblies and parts of the Tray Box Former as manufactured by W. E. Plemons Machinery Services, Inc. Each parts list contains the component parts for that assembly.

### 9.1 Index

#### FIGURE / DESCRIPTION

---

**FIGURE 9-1**

HOPPER ADJUSTMENT ASSEMBLY  
KWIK CHANGE

**FIGURE 9-1A**

HOPPER BLADE ASSEMBLY  
KWIK CHANGE

**FIGURE 9-2**

UPPER COMPRESSION ASSEMBLY  
KWIK CHANGE-DRAWING 1 OF 2

**FIGURE 9-2A**

UPPER COMPRESSION ASSEMBLY  
KWIK CHANGE-DRAWING 2 OF 2

**FIGURE 9-3**

LOWER COMPRESSION ASSEMBLY  
KWIK CHANGE

**FIGURE 9-4**

BLANK FEED ROLLER ASSEMBLY  
KWIK CHANGE

**FIGURE 9-5**

MANDREL GUIDE ASSEMBLY  
KWIK CHANGE

**FIGURE 9-6**

MANDREL CARRIAGE ASSEMBLY  
KWIK CHANGE

**FIGURE 9-7**

MANDREL ASSEMBLY  
KWIK CHANGE

**FIGURE 9-8**

COMPRESSION SHOE ASSEMBLY  
KWIK CHANGE

**FIGURE 9-9**

LOWER BLANK STOP ASSEMBLY  
KWIK CHANGE

**FIGURE 9-10**

CRANK LOCATIONS  
KWIK CHANGE

**FIGURE 9-11**

MOUNT GUARD  
KWIK CHANGE

**FIGURE 9-12**

GLUE POT MOUNT  
KWIK CHANGE

**FIGURE 9-13**

CHAIN LINKAGE-TREE & HOPPER ADJ  
KWIK CHANGE

### 9.2 Illustrated Parts

See Next Page

# Tray Box Former



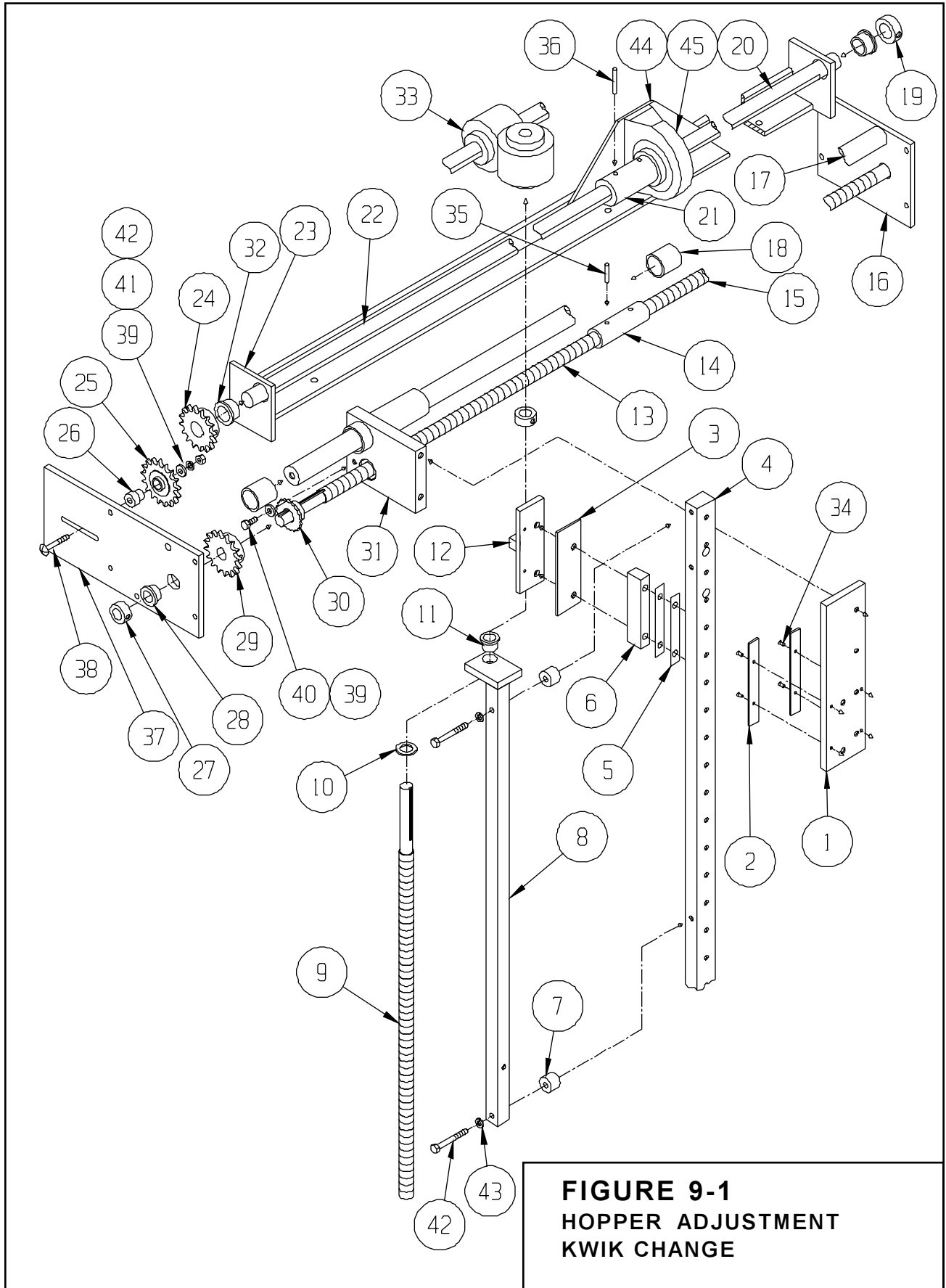
**FIGURE 9-1**  
**HOPPER ADJUSTMENT ASSEMBLY**  
**KWIK CHANGE**

ITEM	PART NO.	DESCRIPTION	QTY.
1	0088100	BAR, TRAY HOPPER BLADE	2
2	0086100	STRIP WEAR	4
3	0082200	SHIM, 1/8" BRASS	2
4	0084300	TREE, VERTICAL BLANK GUIDE	2
5	0089700	SHIM, HOPPER ADJUSTMENT	4
6	0088500	BLOCK, SPACER MATT GUIDE	2
7	0088300	SPACER, MATT GUIDE BAR MTG	4
8	0088800R/L	BAR, MATT HOPPER GUIDE	1/1
9	0089400	MATT HOP. ADJ RH-THD 29 3/4	2
10	0088400	WASHER, MATT HOPPER ADJ SCR	2
11	0208700	BUSHING, MATT HOPPER GUIDE	2
12	0089600R/L	BLOCK, MATT HOPPER ADJ	1/1
13	0084000	TREE ADJ TOP RH-THD 28 1/2	1
14	0087000	COUPLING, SCREW ADJ	1
15	0083900	TREE ADJ. LH-THD 28 1/2	1
16	0083800	PLATE, TREE ADJ SCREW	1
17	0087300	SHAFT, UPPER TREE ADJ 54 3/8"	1
18	0209100	BUSHING, BRACKET TREE SUPP	4
19	0100700	1" SET COLLAR	1
20	0088600	SHAFT, MATT ADJ RH 31 7/8"	1
21	0089000	COUPLING, MATT ADJ SHAFT	1
22	0088700	SHAFT, MATT ADJ LH 31 1/2"	1
23	0089300	BRACKET, MATT ADJ SHAFT MTG	1
24	0089200	SPROCKET, MATT ADJ SHAFT	1
25	0300101	SPROCKET, IDLER	1
26	0082500	AXLE, IDLE SPROCKET	1
27	0100500	3/4" SET COLLAR	4
28	0207600	BUSHING, TREE ADJUSTMENT	2
29	0087100	SPROCKET, COMP & TREE ADJ	1
30	0082300R/L	DISC, ADJ SCREW	1/1
31	0084100R/L	BRACKET, TREE SUPPORT	1/1
32	0207700	BUSHING, MATT ADJ SHAFT MTG	2
33	0088200	FLOAT A SHAFT	2
34	0700503	RIVOT	4
35		3/16" X 1 1/4 LG ROLL PIN	2
36		1/4" X 1 3/4 LG ROLL PIN	2
37	0084400	PLATE, TREE ADJ SCREW LH	1
38	8001600	5/16-18 CARRIAGE BOLT X 2	1
39	1501100	WASHER	3
40	8008200	5/16-18 HEX HD CAP SCR X 3/4	2
41	8024400	5/16-18 STD HEX NUT	1
42	8008900	5/16-18 HEX HD CAP SCR X 2 1/2	2
43	8036700	5/16 STD LOCK WASHER	3
44	2112300	MOUNT, BEARING	1
45	0502300	BEARING, 1 3/4	1

*Option Parts & Illustrations*



# Tray Box Former



*Option Parts & Illustrations*

# Tray Box Former

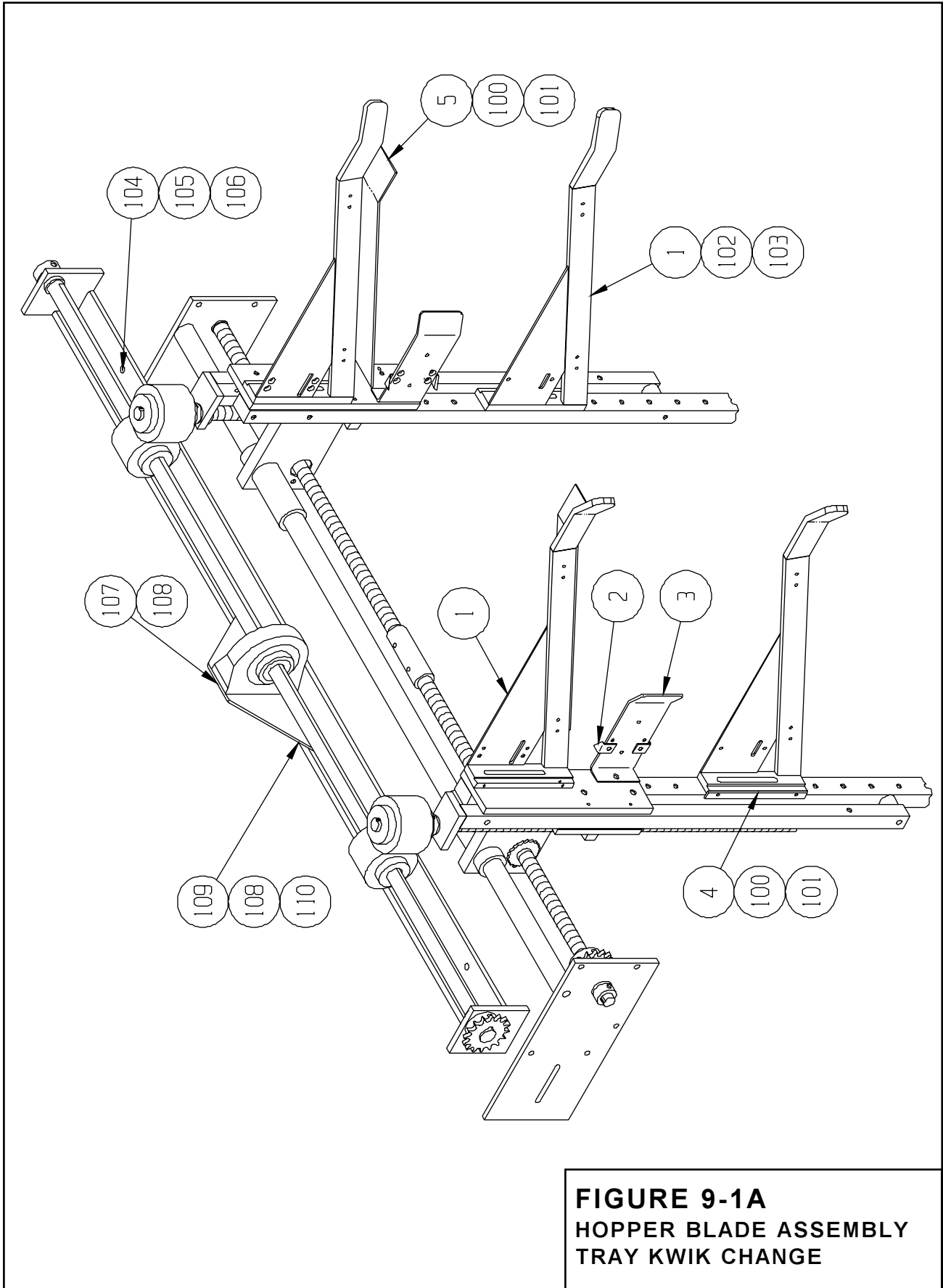


## FIGURE 9-1A HOPPER BLADE ASSEMBLY TRAY KWIK CHANGE

ITEM	PART NO.	DESCRIPTION	QTY.
1	0018902R/L	SUPPORT, TRAY BLANK	2/2
2	0010502R/L	KNIFE, BLANK SUPPORT	2/2
3	0039501	GUIDE, MATT	2
4	0018600	GIB, TRAY BLANK SUPPORT	2
5	00195XXR/L	SUPPORT, BLANK BLADE	1/1
100	8030300	#10-32 SCKT HD CAP SCR X 3/8	12
101	8035600	#10-32 SAE FLAT WASHER	12
102	8008300	5/16-18 HEX HD CAP SCR X 1	4
103	1501100	WASHER	4
104	8010000	3/8-16 HEX HD CAP SCR X 1	3
105	8035900	3/8 SAE FLAT WASHER	3
106	8025700	3/8-16 FIBER LOCK NUT	3
107	8013900	1/2-13 HEX HD CAP X 1	2
108	8037000	1/2 STD LOCK WASHER	4
109	8014100	1/2-13 HEX HD CAP X 1 1/4	2
110	8024700	1/2-13 HEX HD NUT	2



# Tray Box Former



*Option Parts & Illustrations*

# Tray Box Former



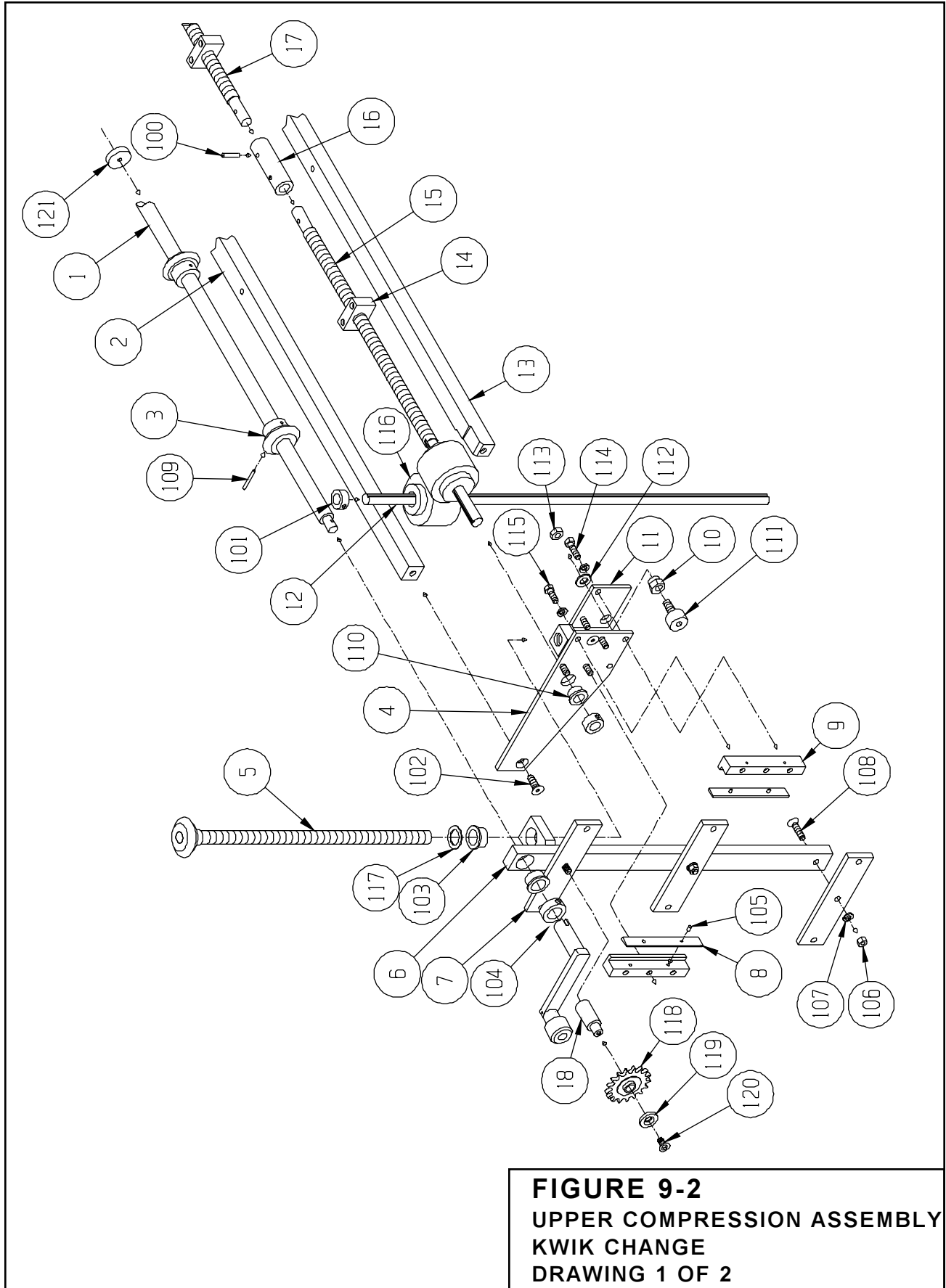
**FIGURE 9-2**  
**UPPER COMPRESSION ASSEMBLY**  
**KWIK CHANGE**

ITEM	PART NO.	DESCRIPTION	QTY.
1	0085300	SHAFT, TOP COMP. ADJ 59 1/8"	1
2	0085200	BAR, TOP COMPRESSION SUPP	1
3	0085100	GEAR, TOP COMPRESSION ADJ	2
4	0085800R/L	PLATE, TOP COMPRESSION SUPP	1/1
5	0085400R/L	TOP COMP. ADJ R&LH-THD19 5/8"	1/1
6	0085900	BAR, TOP COMP PLATE GUIDE	2
7	0086300	BRACKET GUIDE, BAR MTG	6
8	0086100	STRIP WEAR	4
9	0086500	BAR, GIB HOLDER	4
10	0090100	SPACER, SUP BEARING TOP COM	2
11	0090200R/L	SPACER, SUPPORT TOP COMP	1/1
12	0084900	SHAFT, SIDE COMP. ADJ 31 5/8"	1
13	0087200	BAR, COMPRESSION SUPP FRONT	1
14	0084700R/L	BLOCK, COMPRESSION SHOE ADJ	1/1
15	0085600	TOP COMP ADJ RH-THD 27"	1
16	0087000	COUPLING, ADJ SCREW	1
17	0085700	COMP TOP RIGHT ADJ LH-THD 27"	1
18	0043003	AXLE, IDLE SPROCKET	1
100		1/4" X 1 1/4 LG ROLL PIN	2
101	0100500	3/4" SET COLLAR	4
102	8006300	7/16-18 SCKT FLT HD SCR X 1 1/4	4
103	0207700	BUSHING	4
104	0100700	1" SET COLLAR	2
105	0700503	RIVOT	8
106	8024500	3/8-16 STD HEX NUT	6
107	8036800	3/8 STD LOCK WASHER	18
108	8005600	3/8-16 SCKT FLT HD X 1 1/2 SCR	6
109		1/4" X 1 5/8" LG ROLL PIN	1
110	0207600	BUSHING	2
111	0502200	CAM ROLLER	2
112	8036100	1/2 SAE FLT WASHER	2
113	8025100	1/2-20 HALF HEX NUT	2
114	8010100	3/8-16 HEX HD CAP SCR X 1 1/4	4
115	8010000	3/8-16 HEX HD CAP SCR X 1	8
116	0087500	FLOAT A SHAFT	1
117	0087600	WASHER, THRUST	2
118	0300101	IDLE SPROCKET	1
119	1501800	WASHER	1
120	8005300	3/8-16 SCKT FLT HD SCR X 3/4	1
121	1501400	WASHER	1

*Option Parts & Illustrations*



# Tray Box Former



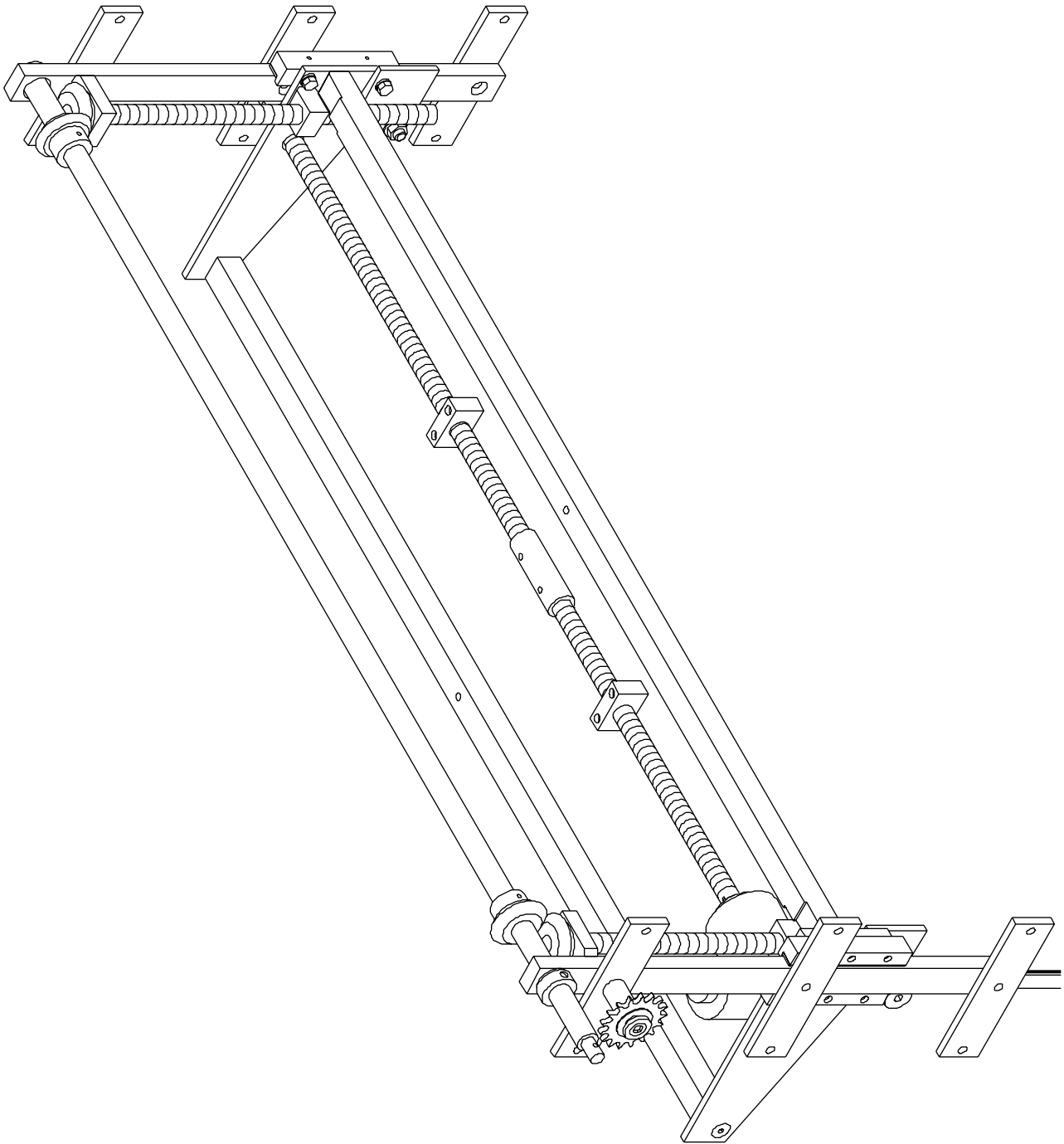
**FIGURE 9-2**  
**UPPER COMPRESSION ASSEMBLY**  
**KWIK CHANGE**  
**DRAWING 1 OF 2**

*Option Parts & Illustrations*

# Tray Box Former



*Option Parts & Illustrations*



**FIGURE 9-2A**  
UPPER COMPRESSION ASSEMBLY  
KWIK CHANGE  
DRAWING 2 OF 2





# Tray Box Former

---

**THIS PAGE IS BLANK**

*Option Parts & Illustrations*

# Tray Box Former



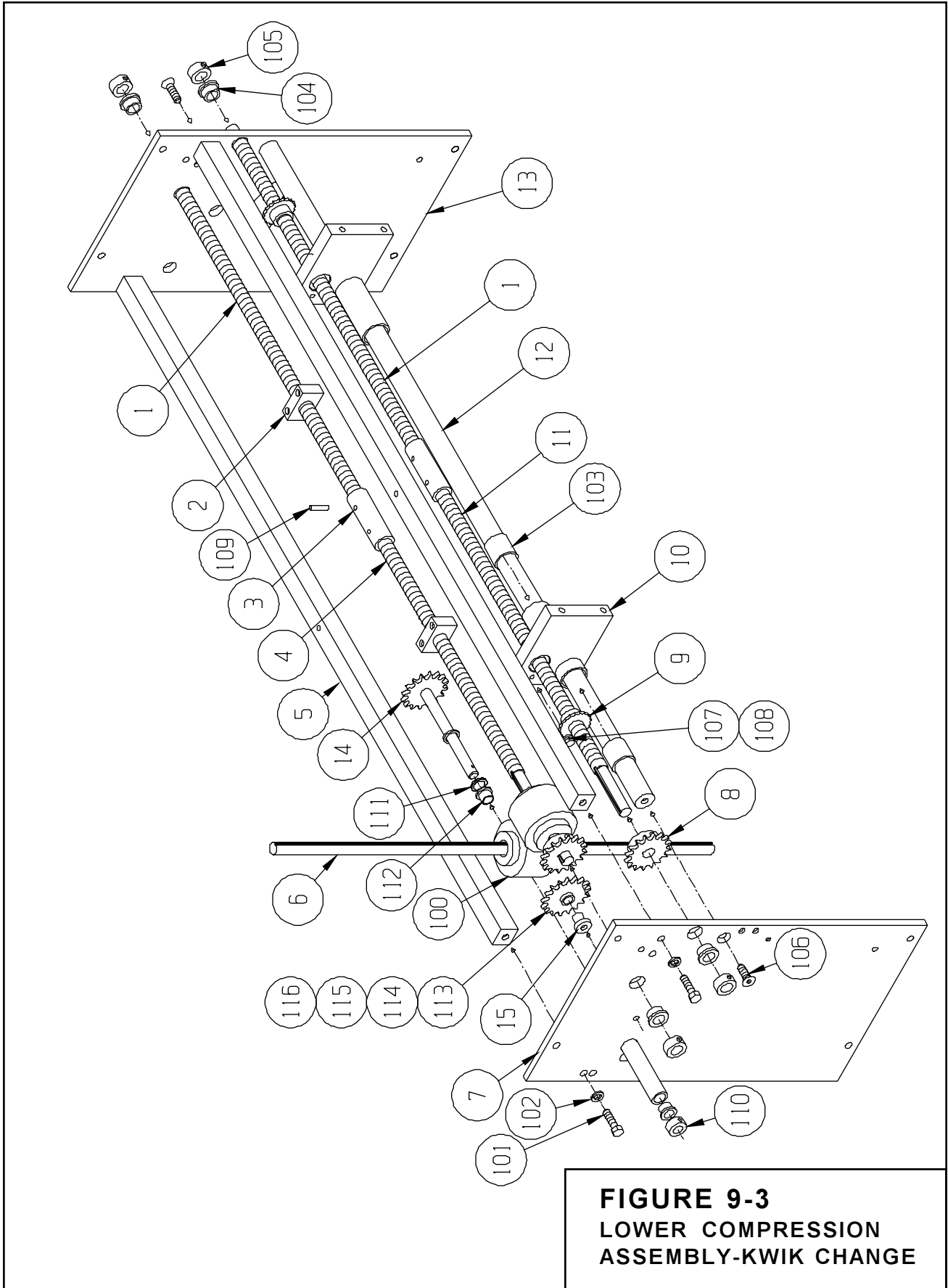
**FIGURE 9-3**  
**LOWER COMPRESSION ASSEMBLY**  
**KWIK CHANGE**

ITEM	PART NO.	DESCRIPTION	QTY.
1	0083900	TREE ADJ (LH-THD) 28 1/2	2
2	0084700R/L	BLOCK, COMPRESSION SHOE ADJ	1/1
3	0087000	COUPLING, SCREW ADJ	2
4	0085500	COMP BTM (RH-THD) 28 1/2	1
5	0010705	SPREADER FRAME	2
6	0084900	SHAFT, SIDE COMP ADJ 31 5/8	REF
7	00106118	PLATE, REAR L.H. TRANSMISSION	REF
8	0087100	SPROCKET, COMP & TREE ADJ	2
9	0082300R/L	DISC, ADJUSTING SCREW	1/1
10	0084100R/L	BRACKET, TREE SUPPORT	1/1
11	0084000	TREE ADJ (RH-THD) 28 1/2	1
12	0087400	SHAFT, TREE LOWER 54 1/2	1
13	00106117	PLATE, REAR R.H. TRANSMISSION	REF
14	0084200	SPROCKET, COMP & TREE DR	1
15	0082500	AXLE, SPROCKET	1
100	0087500	FLOAT A SHAFT	1
101	8011800	7/16-14 HEX HD CAP SCR X 1 1/4	4
102	8036900	7/16 STD LOCK WASHER	4
103	0201900	BUSHING	4
104	0207600	BUSHING	4
105	0100500	3/4" SET COLLAR	4
106	8006300	7/16-14 SCKT FLT HD SCR X 1 1/4	2
107	8008200	5/16-18 HEX HD CAP SCR X 3/4	2
108	1501100	WASHER	2
109		ROLL PIN, 1/4 DIA. X 1 1/4 LG	4
110	0100400	5/8" SET COLLAR	1
111	0205000	BUSHING	2
112	0208600	5/8" BUSHING, BRONZE	2
113	0300101	IDLER SPROCKET	1
114	8010500	3/8-16 HEX HD CAP SCR X 2 1/4	1
115	1500200	WASHER	1
116	8036800	3/8 STD LOCK WASHER	1

*Option Parts & Illustrations*



# Tray Box Former



*Option Parts & Illustrations*

# Tray Box Former

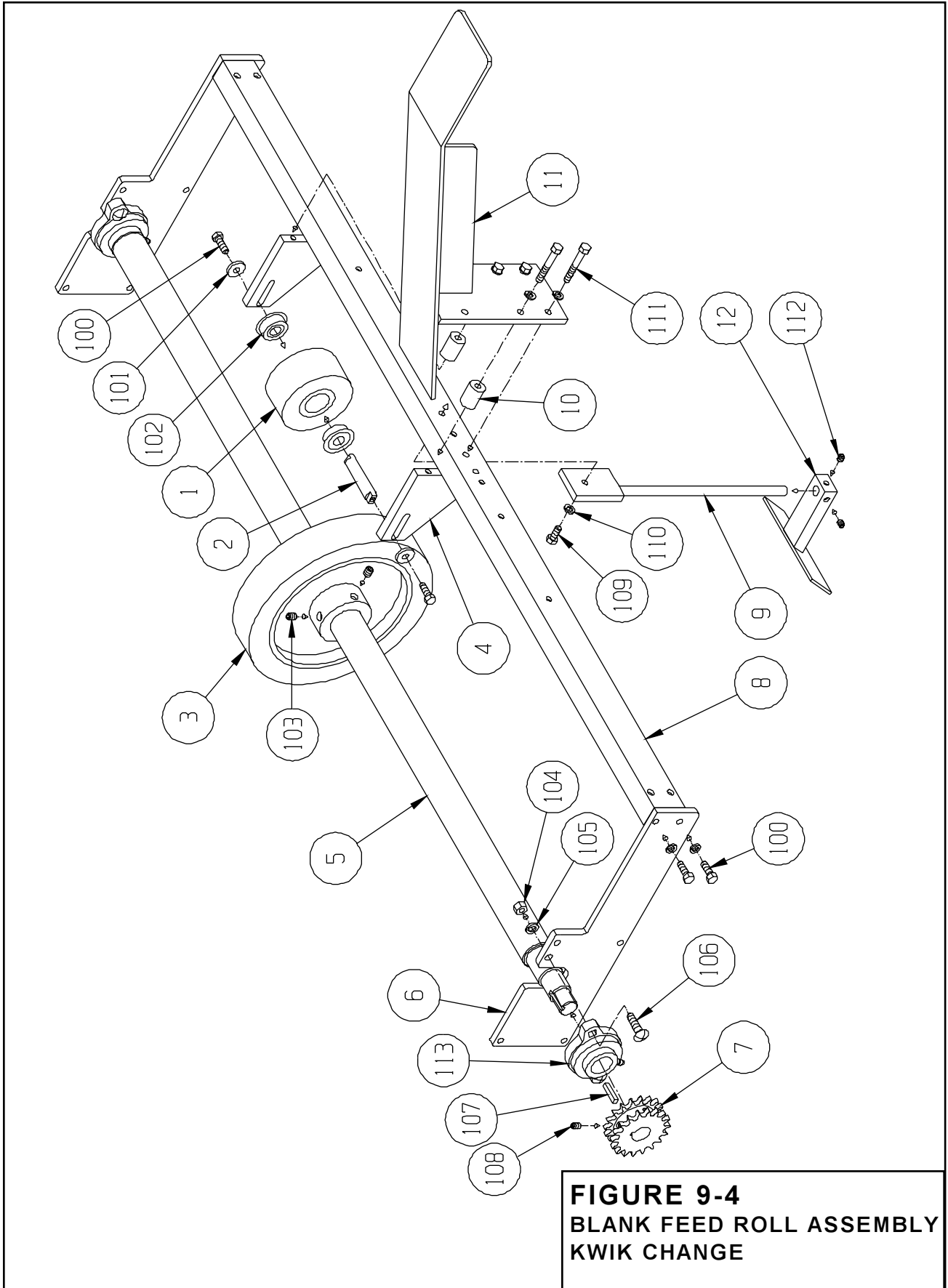


**FIGURE 9-4**  
**BLANK FEED ROLL ASSEMBLY**  
**KWIK CHANGE**

ITEM	PART NO.	DESCRIPTION	QTY.
1	0018100	ROLLER, FEED IDLE	1
2	0018401	AXLE, IDLE ROLLER	1
3	0018002	WHEEL, BLANK FEED	1
4	0086000	MOUNT, IDLE ROLLER	2
5	0086700	SHAFT, BLANK FEED ROLLER	1
6	0086800	PLATE, IDLE BAR & SHAFT MTG	2
7	0045400	SPROCKET, VACUUM FEED DRIVE	1
8	0020505	BAR, BLANK FEED IDLE ROLLER	1
9	0048400	WELDMT, MATT DEFLECTOR ROD	1
10	0208900	BUSHING	2
11	0013607	BRACKET, HOPPER SUPPORT	1
12	0048500	WELDMT, MATT TOP DEFLECTOR	1
100	8008300	5/16-18 HEX HD CAP SCR X 1	4
101	1500102	WASHER	2
102	0500600	BEARING	2
103	8028300	3/8-16 FLAT PT SET SCR X 1/2	2
104	8024500	3/8-16 STD HEX NUT	4
105	8036800	3/8 STD LOCK WASHER	4
106	8001200	3/8-16 CARRIAGE BOLT X 1 1/2	4
107	0900301	KEY, 1/4" X 1/4"	1
108	8027000	5/16-18 CUP PT SET SCR X 1/2	1
109	8008200	5/16-18 HEX HD CAP SCR X 3/4	1
110	8036700	5/16 STD LOCK WASHER	9
111	8008800	5/16-18 HEX HD CAP SCR X 2 1/4	4
112	8026900	5/16-18 CUP PT SET SCR X 3/8	2
113	0501201	BEARING, BLANK FD IDLE SHAFT	2



# Tray Box Former



*Option Parts & Illustrations*

# Tray Box Former

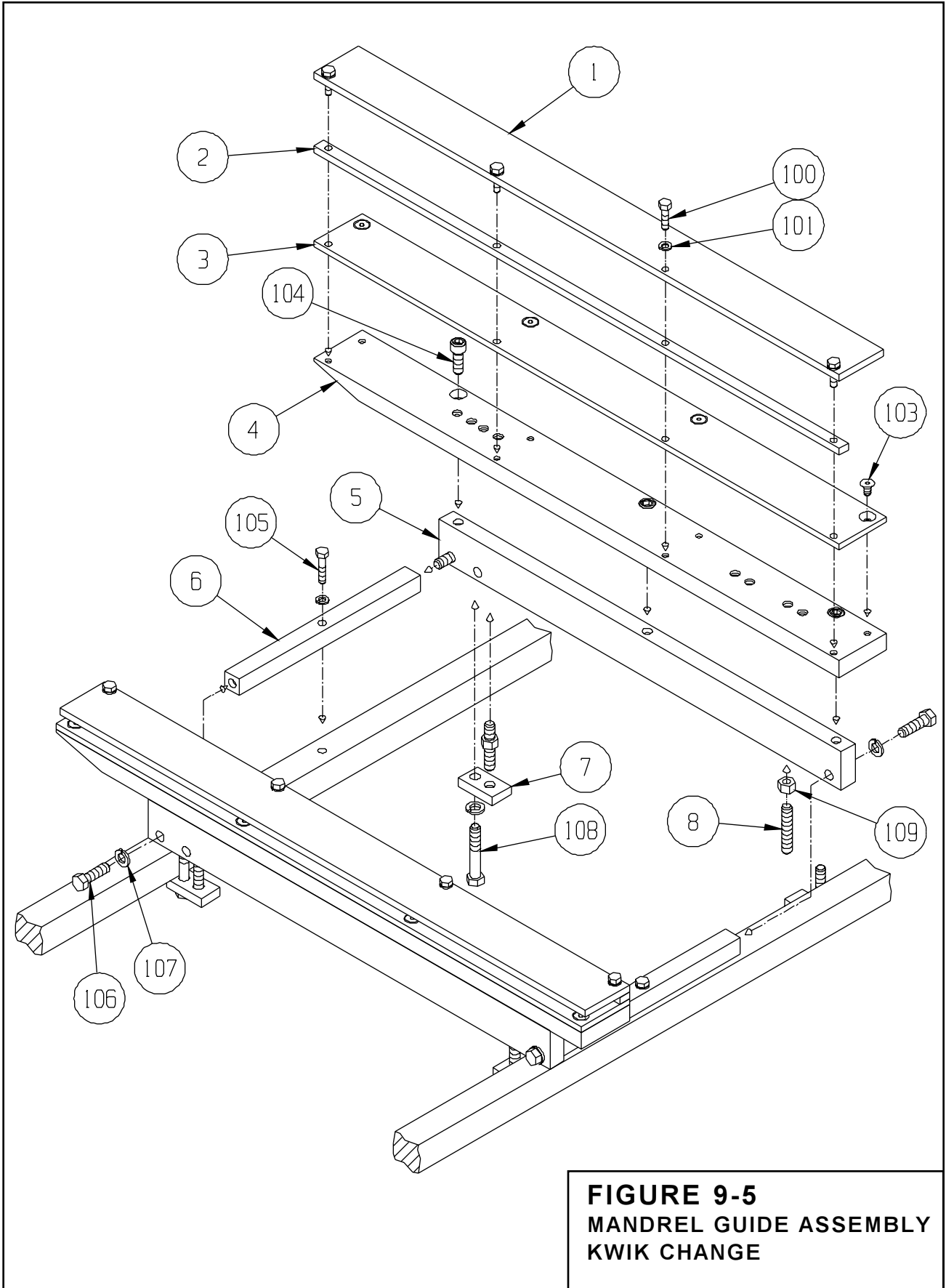


**FIGURE 9-5**  
**MANDREL GUIDE ASSEMBLY**  
**KWIK CHANGE**

ITEM	PART NO.	DESCRIPTION	QTY.
1	0087700	CAP, MANDREL GUIDE	2
2	0087800	SPACER, MANDREL GUIDE CAP	2
3	0026400R/L	GIB, MANDREL BASE	1/1
4	0083500R/L	BASE, MANDREL GUIDE	1/1
5	0083600	BAR, MANDREL GUIDE SUPPORT	2
6	2100801	BAR, MANDREL SPREADER	2
7	0021500	PLATE, BASE CLAMP	4
8	0019604	STUD, CLAMP SUPPORT	4
100	8007000	1/4-20 HEX HD CAP SCR X 1	8
101	8036600	1/4 STD LOCK WASHER	10
103	8002600	1/4-20 SCKT FLT HD SCR X 1/2	8
104	8033900	3/8-16 SCKT HD CAP SCR X 1	6
105	8007100	1/4-20 HEX HD CAP SCR X 1 1/4	2
106	8010100	3/8-16 HEX HD CAP SCR X 1 1/4	4
107	8036800	3/8 STD LOCK WASHER	8
108	8010500	3/8-16 HEX HD CAP SCR X 2 1/4	4
109	8024500	3/8-16 STD HEX NUT	4



# Tray Box Former



**FIGURE 9-5**  
MANDREL GUIDE ASSEMBLY  
KWIK CHANGE

*Option Parts & Illustrations*

# Tray Box Former



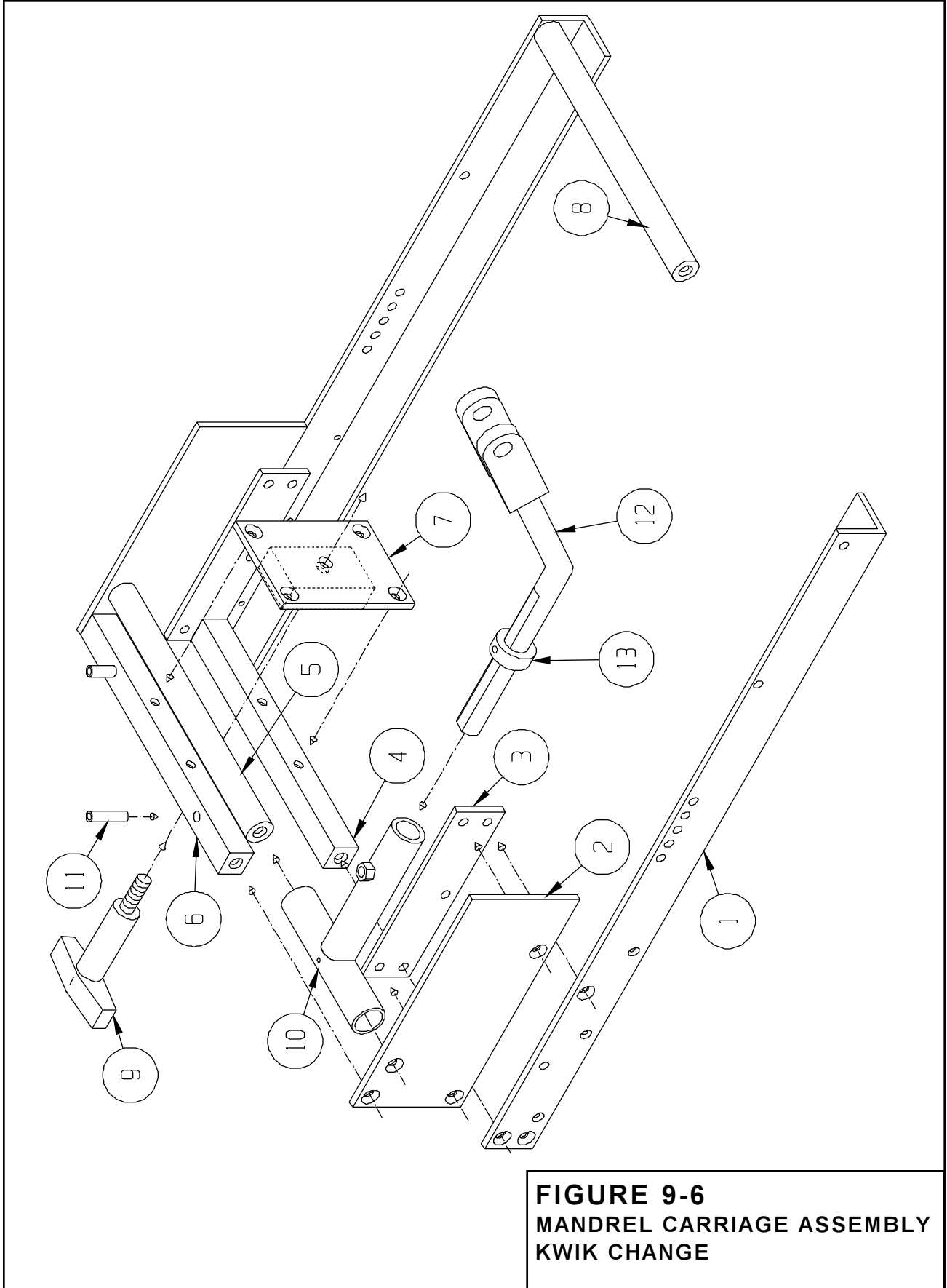
**FIGURE 9-6**  
**MANDREL CARRIAGE ASSEMBLY**  
**KWIK CHANGE**

ITEM	PART NO.	DESCRIPTION	QTY.
1	2100000R/L	CARRIAGE RAIL	1/1
2	2100101R/L	PLATE, CARRIAGE	1/1
3	0022000	PLATE, MANDREL SUPPORT	2
4	2100401	BAR, LOWER CARRIAGE SPREADER	1
5	2100301	BAR, CARRIAGE SPREADER PIVOT	1
6	2100501	BAR, UPPER CARRIAGE SPREADER	1
7	2100601	CARRIAGE MOUNT	1
8	2100201	BAR, REAR CARRIAGE SPREADER	1
9	2100700	HANDLE, CARRIAGE	1
10	0035600	CON ROD END, MANDREL	1
11	0700700	3/8" X 1 1/2 LG ROLL PIN	2
12	0011703	FORM PLUNGER, TKC	1
13	0100600	SET COLLAR, 7/8"	1





# Tray Box Former



*Option Parts & Illustrations*

# Tray Box Former

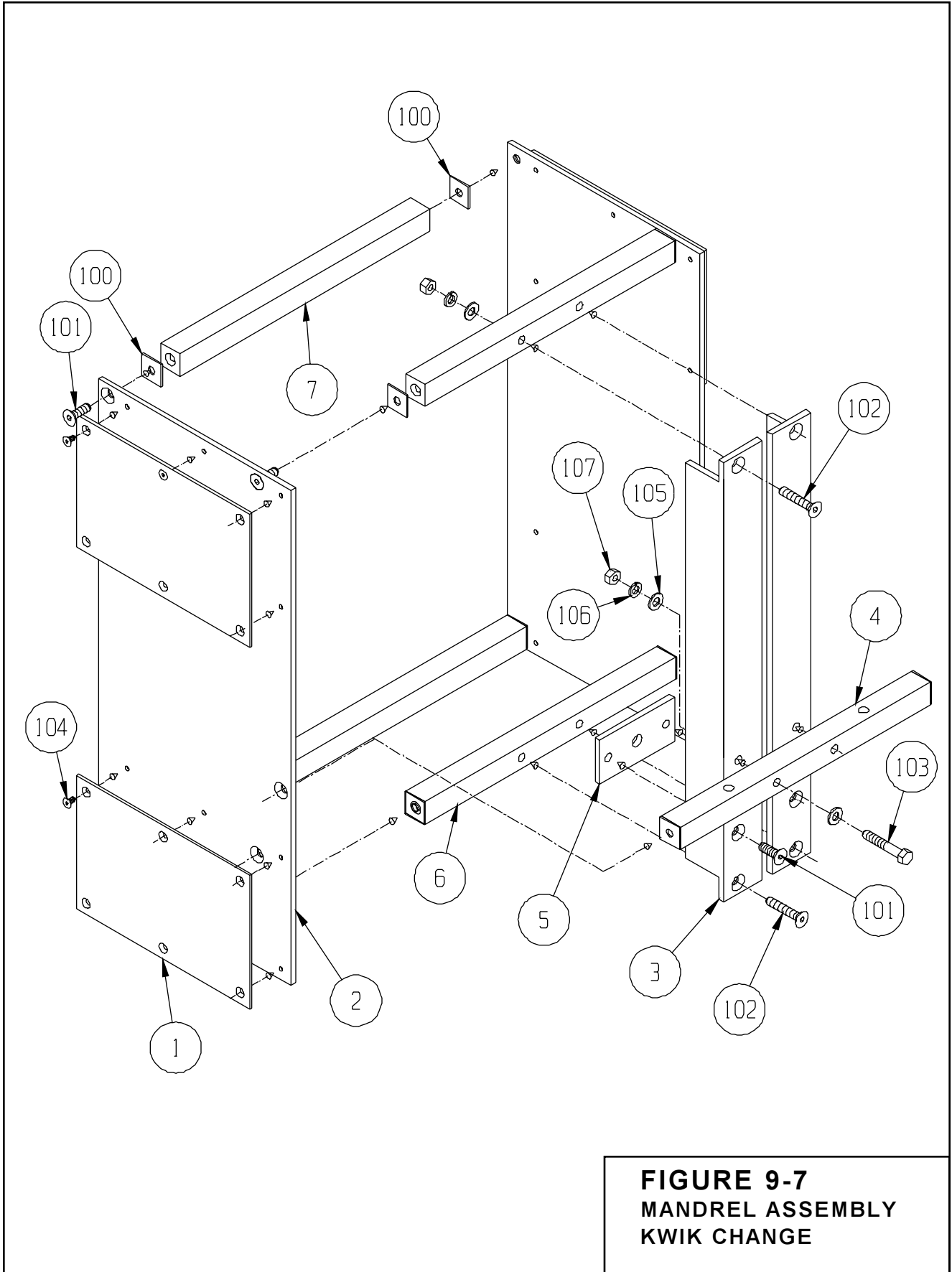


## FIGURE 9-7 MANDREL ASSEMBLY KWIK CHANGE

ITEM	PART NO.	DESCRIPTION	QTY.
1	0029409	PLATE, MANDREL WEAR	4
2	2100900L/R	PLATE, MANDREL	1/1
3	2101100	ANGLE, CARRIAGE MOUNT	1/1
4	2101300	BAR, MANDREL SPREADER MT	1
5	2101400	PLATE, ANGLE	1
6	2101200	BAR, REAR MANDREL SPREADER	2
7	2101000	BAR, FRONT MANDREL SPREADER	2
100	1502400	SQUARE WASHER	10
101	804800	5/16-18 SCKT FLT HD SCR X 1	12
102	8005100	5/16-18 SCKT FLT HD SCR X 1 3/4	4
103	8008700	5/16-18 HEX HD CAP SCR X 2	2
104	8004000	#10-32 SCKT FLT HD SCR X 3/8	24
105	8035800	5/16 SAE FLAT WASHER	8
106	8036700	5/16 LOCK WASHER	6
107	8024400	5/16-18 HEX NUT	6



# Tray Box Former



**FIGURE 9-7**  
**MANDREL ASSEMBLY**  
**KWIK CHANGE**

*Option Parts & Illustrations*

# Tray Box Former



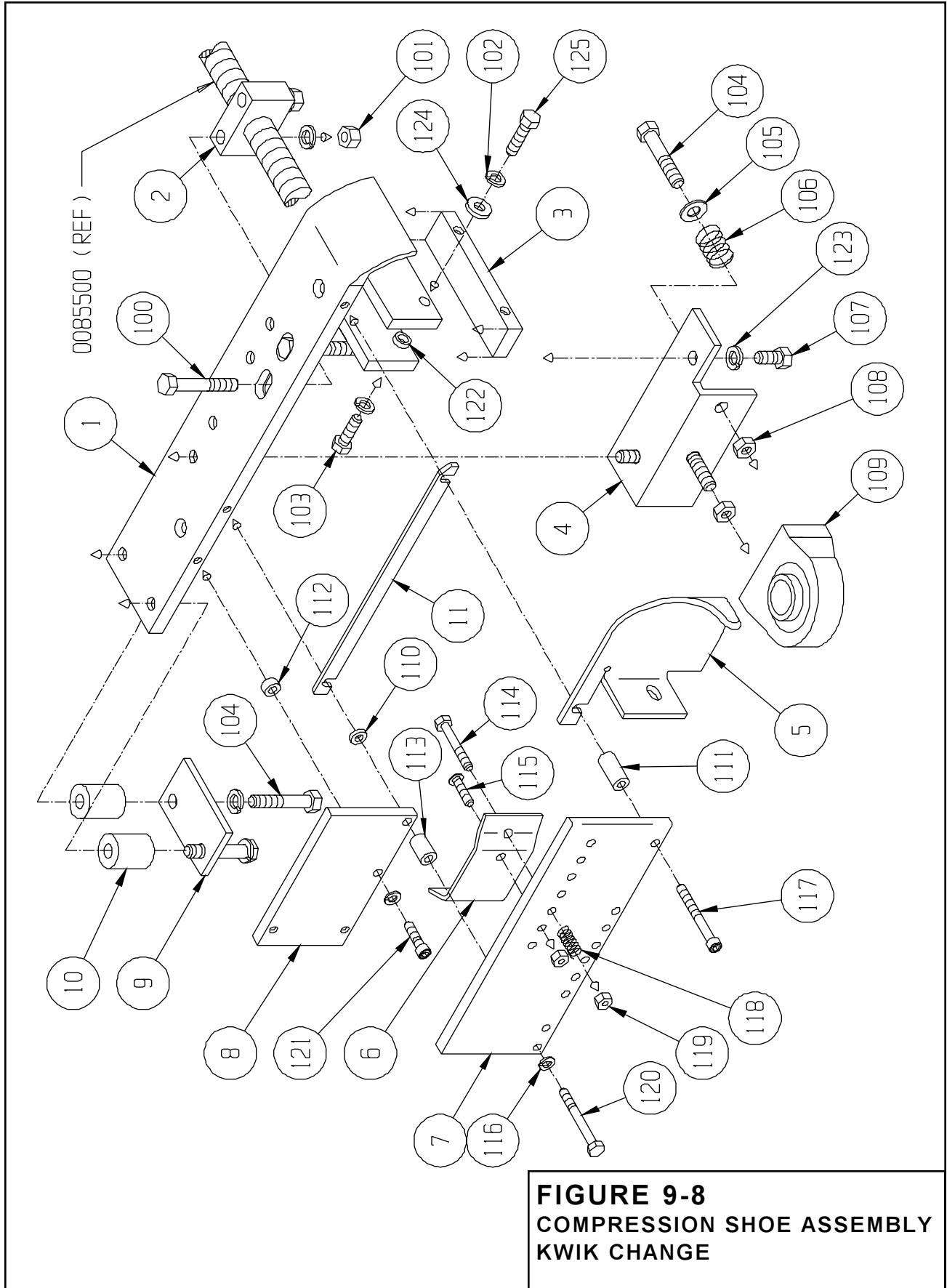
**FIGURE 9-8**  
**COMPRESSION SHOE ASSEMBLY**  
**KWIK CHANGE**

ITEM	PART NO.	DESCRIPTION	QTY.
1	0014708R/L	SHOE, TRAY FORMING	2/2
2	0084700R/L	BLOCK, COMPRESSION SHOE ADJ	REF
3	0034100	BAR, CLAMP	4
4	0054204R/L	MOUNT, COMPRESSION BEARING	2/2
5	0018802R/L	PLOW, FLANGE FORMING	2/2
6	0016901	PAWL, TRAY STRIPPER	4
7	0019103	SHOE, TRAY FORMING GUIDE	4
8	0031501	PLATE, AUXILIARY COMPRESSION	4
9	0084500	CAP, TOP COMPRESSION SUPP	4
10	0084600	SPACER, TOP COMPRESSION	8
11	0031601	SPACER	4
100	8010500	3/8-16 HEX HD CAP SCR X 2 1/4	8
101	8024500	3/8-16 STD HEX NUT	8
102	8036700	5/16 STD LOCK WASHER	16
103	8008300	5/16-18 HEX HD CAP SCR X 1	12
104	8010400	3/8-16 HEX HD CAP SCR X 2	16
105	8035900	3/8 SAE FLT WASHER	8
106	1200800	SPRING	8
107	8009900	3/8-16 HEX HD CAP SCR X 3/4	8
108	8024900	3/8-16 HALF HEX NUT	8
109	0501101	FLANGE BEARING	4
110	0207400	BUSHING	4
111	0206000	BUSHING	4
112	0200900	BUSHING	4
113	0207100	BUSHING	4
114	8007300	1/4-20 HEX HD CAP SCR X 1 3/4	4
115	8000500	1/4-20 BUTTON HD SCKT SCR X 1	4
116	8036600	1/4 STD LOCK WASHER	8
117	8032100	1/4-20 SCKT HD CAP SCR X 2 1/4	4
118	1201600	SPRING	4
119	8025500	1/4-20 FIBER LOCK NUT	8
120	8007400	1/4-20 HEX HD CAP SCR X 2	4
121	8031600	1/4-20 SCKT HD CAP SCR X 1	4
122	0201200	BUSHING	8
123	8036800	3/8 STD LOCK WASHER	24
124	1501100	WASHER	4
125	8007100	1/4-20 HEX HD CAP SCR X 1 1/4	4

*Option Parts & Illustrations*



# Tray Box Former



*Option Parts & Illustrations*

# Tray Box Former



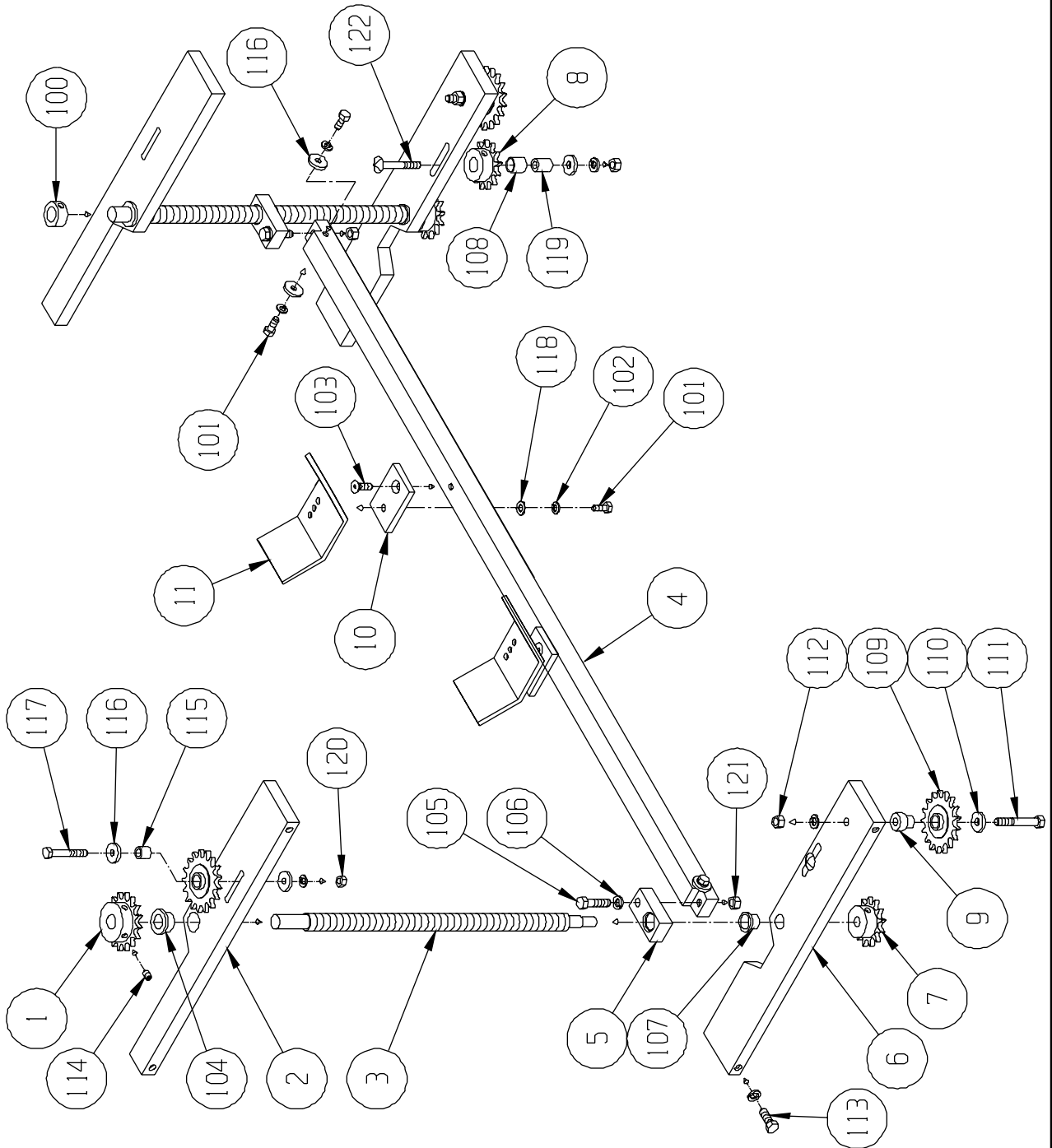
**FIGURE 9-9**  
**LOWER BLANK STOP ASSEMBLY**  
**KWIK CHANGE**

ITEM	PART NO.	DESCRIPTION	QTY.
1	0082800	SPROCKET, BOTTOM STOP DRIVE	1
2	0083200	BRACKET, BTM STOP ADJ SCREW	2
3	0083300	BTM STOP ADJ RH-THD 19 1/2	2
4	0090000	BAR, BOTTOM STOP SUPPORT	1
5	0090300	BLOCK, ADJ BOTTOM STOP	2
6	0083000	BRACKET, BTM STOP ADJ SCREW	2
7	0082600	SPROCKET, 1/2" I.D.	2
8	0082601	SPROCKET, 3/4" I.D.	2
9	0082500	AXLE, IDLE SPROCKET	2
10	0090400	SPACER, BOTTOM STOP	2
11	0030902	STOP, BOTTOM	2
100	0100500	3/4" SET COLLAR	1
101	8008200	5/16-18 HEX HD CAP SCR X 3/4	6
102	8036700	5/16 STD LOCK WASHER	7
103	8004800	5/16-18 SCKT FLT HD SCR X 1	2
104	0207600	BUSHING, BRASS	2
105	8010500	3/8-16 HEX HD CAP SCR X 2 1/4	2
106	8035900	3/8 SAE FLAT WASHER	14
107	0208600	BUSHING, BRASS	2
108	0202200	BUSHING, BRASS	2
109	0300101	SPROCKET, IDLER	3
110	1500101	WASHER	6
111	8010600	3/8-16 HEX HD CAP SCR X 2 1/2	2
112	8024500	3/8-16 STD HEX NUT	4
113	8010000	3/8-16 HEX HD CAP SCR X 1	8
114	8026900	5/16-18 CUP PT SET SCR X 3/8	11
115	0202400	BUSHING	1
116	1500102	WASHER	6
117	8008800	5/16-18 HEX HD CAP SCR X 2 1/4	1
118	8035800	5/16 SAE FLT WASHER	2
119	0203400	BUSHING	2
120	8024400	5/16-18 STD HEX NUT	1
121	8025700	3/8-16 FIBER LOCK NUT	2
122	8001900	3/8-16 CARRIAGE BOLT X 2 1/2	2

*Option Parts & Illustrations*



# Tray Box Former



**FIGURE 9-9**  
LOWER BLANK STOP ASSEMBLY  
KWIK CHANGE

*Option Parts & Illustrations*

# Tray Box Former



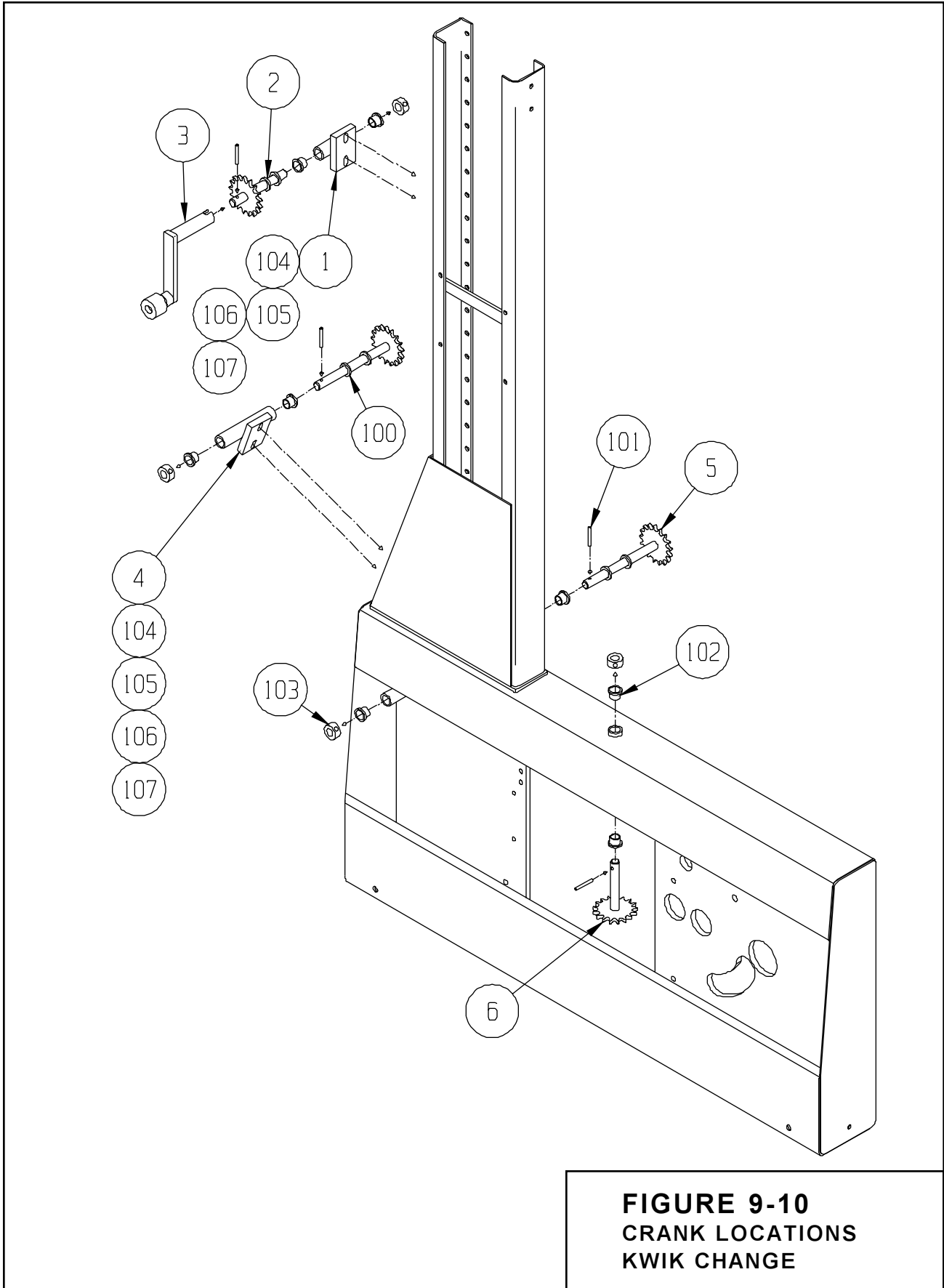
**FIGURE 9-10**  
**CRANK LOCATIONS**  
**KWIK CHANGE**

ITEM	PART NO.	DESCRIPTION	QTY.
1	0089100	BEARING, MATT HOPPER CRANK	1
2	0089500	SPROCKET, MATT ADJ CRANK	1
3	0082100	HANDLE ASSY	1
4	0085000	BEARING-SIDE COMP CRANK	1
5	0084200	SPROCKET-COMP & TREE DR	2
6	0082700	SPROCKET-BOTTOM STOP ADJ	1
100	0205000	WASHER	6
101		3/16 X 1 ROLL PIN	4
102	0208100	BUSHING-BRONZE	8
103	0100400	SET COLLAR, 5/8"	4
104	8008400	5/16-18 HEX HD CAP SCR X 1 1/4	4
105	1501100	WASHER	4
106	8036700	5/16 STD LOCK WASHER	4
107	8024400	5/16-18 STD HEX NUT	4





# Tray Box Former



*Option Parts & Illustrations*

# Tray Box Former

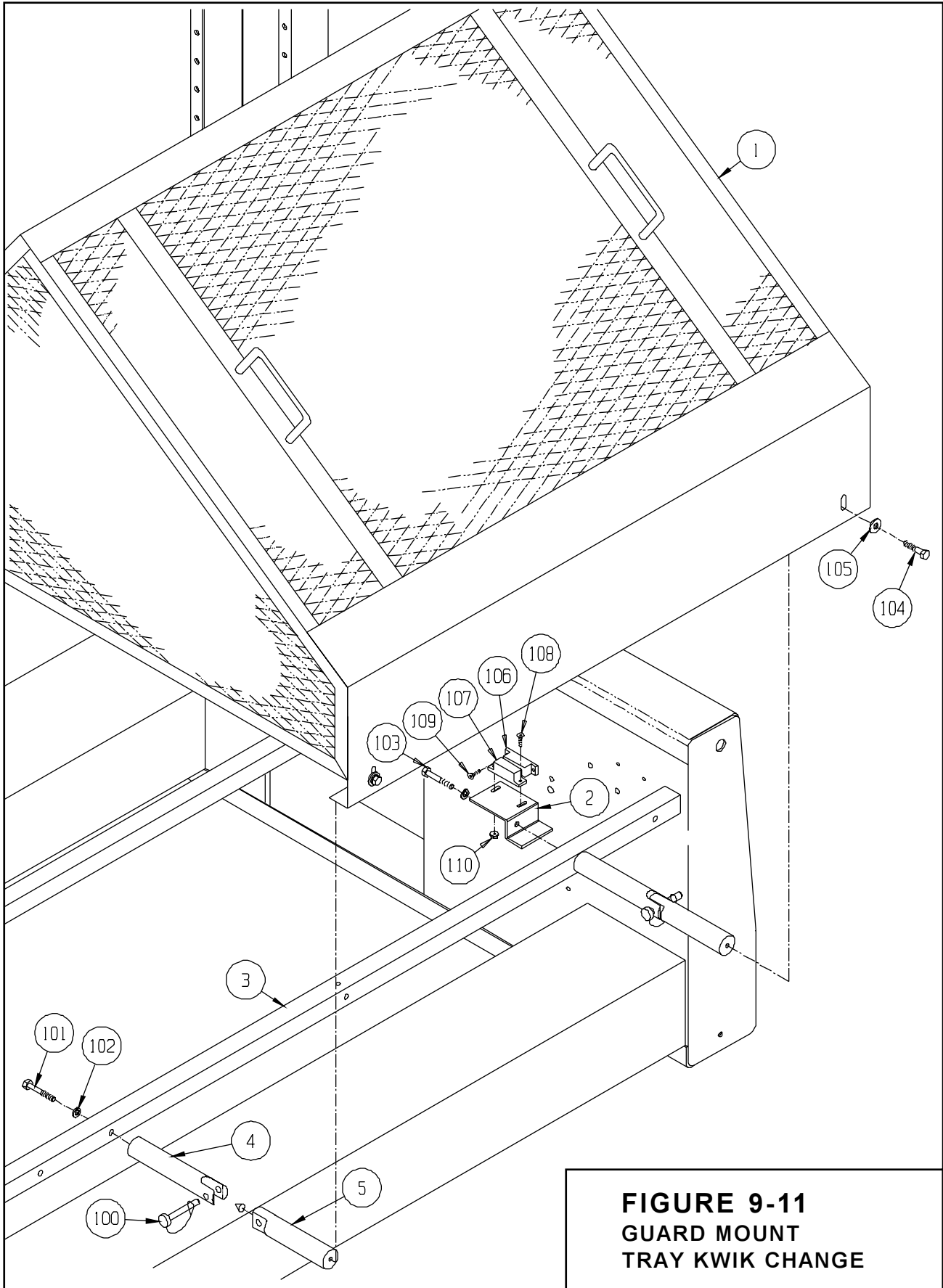


**FIGURE 9-11**  
**GUARD MOUNT**  
**TRAY KWIK CHANGE**

ITEM	PART NO.	DESCRIPTION	QTY.
1	0013003	GUARD, TRAY FRONT (SB)	1
2	0053301	MOUNT, INTERLOCK SWITCH	1
3	0010706	SPREADER, FRAME	1
4	0094500	CAGE HINGE, FEMALE	2
5	0094401	CAGE HINGE, MALE	2
100	1809500	PIN, HINGE	2
101	8008700	5/16-18 HEX HD CAP SCR X 2	2
102	8036700	5/16 LOCK WASHER	6
103	8008800	5/16-18 HEX HD CAP SCR X 2 1/4	1
104	8008500	5/16-18 HEX HD CAP SCR X 1 1/2	2
105	1500500	WASHER	2
106	0401600	INTERLOCK SWITCH	1
107	0401600	ACUATOR MAGNET	1
108	8030600	#10-32 SCKT HD CAP SCR X 3/4	2
109	8004100	#10-32 SCKT FLT HD X 3/4	2
110	8025300	#10-32 FIBER LOCK NUT	4



# Tray Box Former



**FIGURE 9-11**  
GUARD MOUNT  
TRAY KWIK CHANGE

*Option Parts & Illustrations*

# Tray Box Former



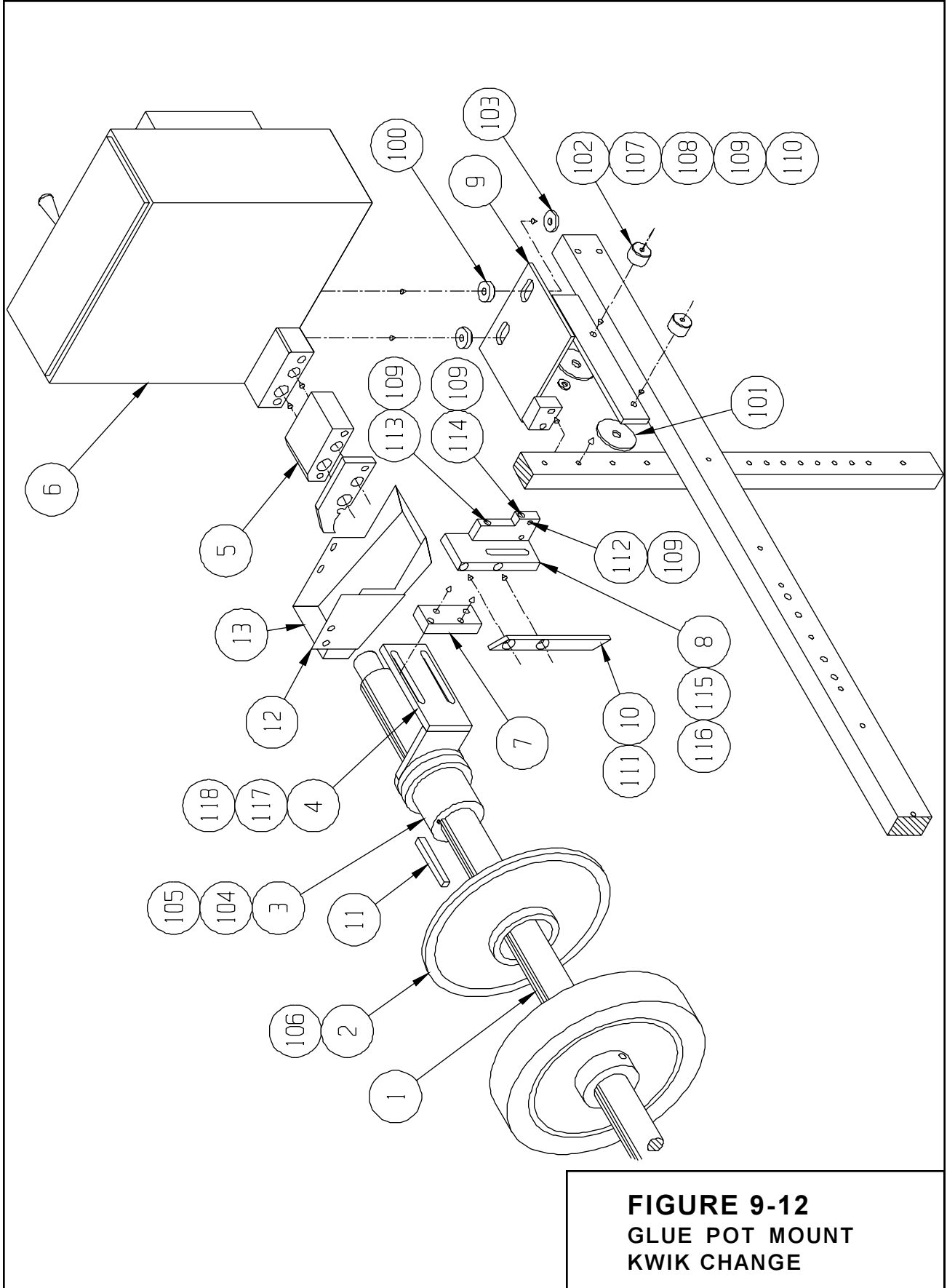
**FIGURE 9-12**  
**GLUE POT MOUNT**  
**KWIK CHANGE**

ITEM	PART NO.	DESCRIPTION	QTY.
1	0086700	SHAFT, BLANK FEED ROLL	REF
2	0086900	DISC, PROGRAM	2
3	0089800	HUB, PROGRAM WHEEL	2
4	0086600R/L	BRACKET, PROGRAM WHEEL	1/1
5	0029811	SPACER, GLUE APPLICATOR	2
6	0054401R/L	GLUE POT, KWIK CHANGE	1/1
7	0086200	SPACER, PROGRAM WHEEL BRKT.	2
8	0089900R/L	BRACKET, GLUE POT MOUNT	1/1
9	0083400R/L	MOUNT, GLUE POT	1/1
10	0022701R/L	BAR, MELT POT CLAMP	1/1
11	0086400	KEY, PROGRAM WHEEL	2
12	0049302R/L	BRACKET, GLUE PAN MOUNT	1/1
13	0049909	GLUE PAN, KWIK CHANGE	2
100	2109400	SPACER, GLUE POT	4
101	1500800	WASHER	4
102	0501400	CAM ROLLER, 1"	4
103	1500102	WASHER	4
104	8030300	#10-32 SCKT HD CAP SCR X 3/8	4
105	8035600	#10 SAE FLAT WASKER	4
106	8028300	3/8-16 FLT POINT SET SCR X 1/2	4
107	8008600	5/16-18 HEX HD CAP SCR X 1 3/4	4
108	8035800	5/16 SAE FLAT WASHER	4
109	8036700	5/16 STD LOCK WASHER	12
110	8024400	5/16-18 STD HEX NUT	4
111	8004700	5/16-18 SCKT FLT HD X 3/4	4
112	8008400	5/16-18 HEX HD CAP SCR X 1 1/4	4
113	8008700	5/16-18 HEX HD CAP SCR X 2	2
114	8008900	5/16-18 HEX HD CAP SCR X 2 1/2	2
115	8008300	5/16-18 HEX HD CAP SCR X 1	4
116	1501100	WASHER	4
117	8010000	3/8-16 HEX HD CAP SCR X 1	4
118	1500200	WASHER	4

*Option Parts & Illustrations*



# Tray Box Former

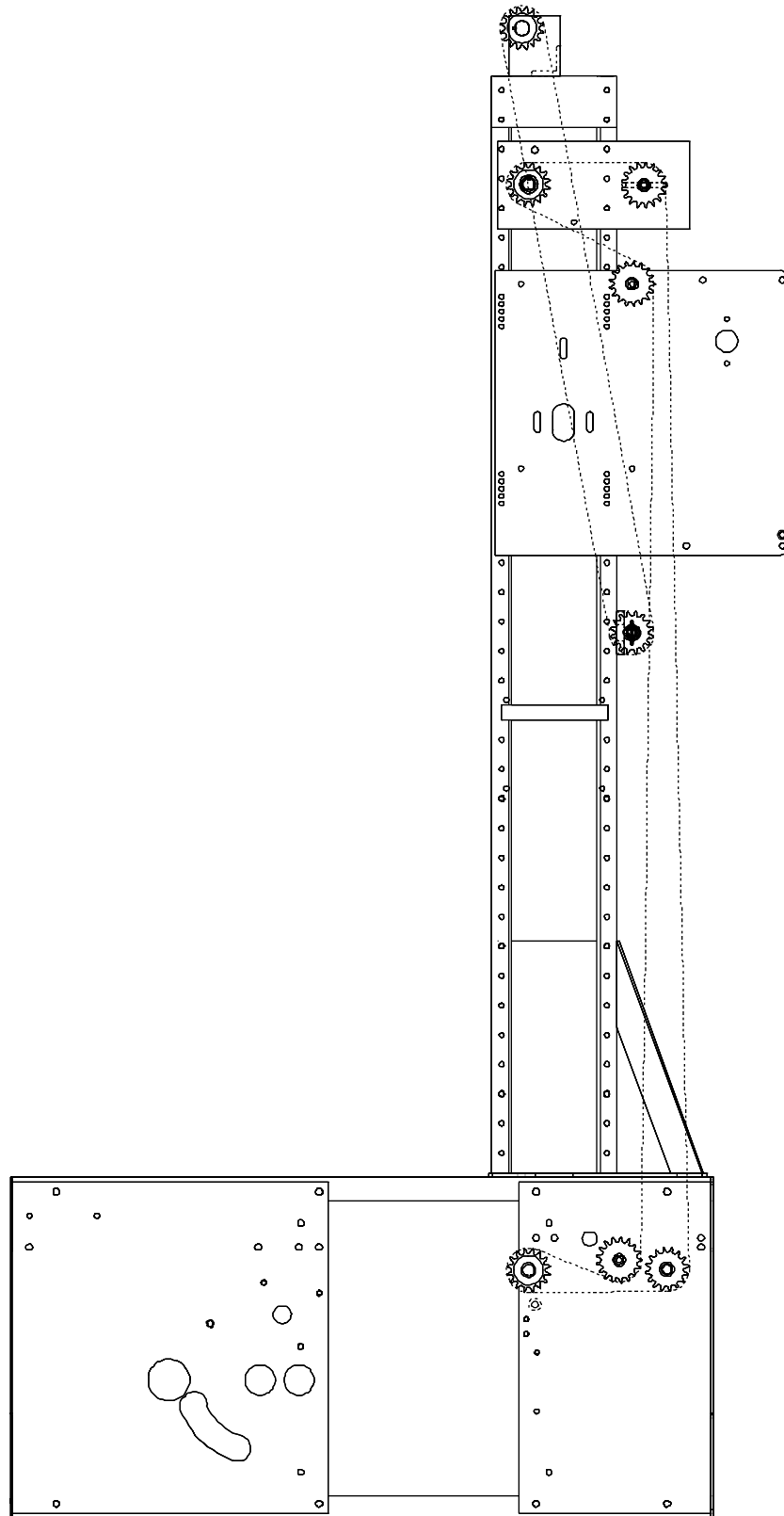


*Option Parts & Illustrations*

# Tray Box Former



*Option Parts & Illustrations*



**FIGURE 9-13**  
CHAIN LINKAGE-TREE & HOPPER  
ADJUSTMENT-KWIK CHANGE