



## 10.0 Option Parts & Illustrations

### INTRODUCTION

This section lists and illustrates the replaceable assemblies and parts of the Tray Box Former as manufactured by W. E. Plemons Machinery Services, Inc. Each parts list contains the component parts for that assembly.

### 10.1 Index

#### FIGURE / DESCRIPTION

---

**FIGURE 10-1**  
COMPRESSION CHAMBER ASSEMBLY  
ROLL OVER LOCKING

**FIGURE 10-2**  
CABLE STOP-FLAP FOLDER ASSEMBLY  
ROLL OVER LOCKING

**FIGURE 10-3**  
CABLE FLAP-CAM LINKAGE ASSEMBLY  
ROLL OVER LOCKING

**FIGURE 10-4**  
STRIPPER MOUNT ASSEMBLY  
ROLL OVER LOCKING

**FIGURE 10-5**  
CABLE STOP-CAM LINKAGE ASSEMBLY  
ROLL OVER LOCKING

**FIGURE 10-6**  
GEAR GUARD ASSEMBLY  
ROLL OVER LOCKING

**FIGURE 10-7**  
NORDSON SYSTEM  
GLUE ACCESSORIES

**FIGURE 10-8**  
NORDSON GLUE HEAD  
& ACCESSORIES

**FIGURE 10-9**  
BLANK GUIDE  
& KNIFE BRACKET

**FIGURE 10-10**  
DOUBLE BLANK  
FEED ROLLER

**FIGURE 10-11**  
FRONT GUARD MOUNT

**FIGURE 10-12**  
SWIVEL WHEEL  
FRAME ATTACHMENT

**FIGURE 10-13**  
SAFETY INTERLOCK  
JUNCTION BOX

### 10.2 Illustrated Parts

See Next Page

# Tray Box Former



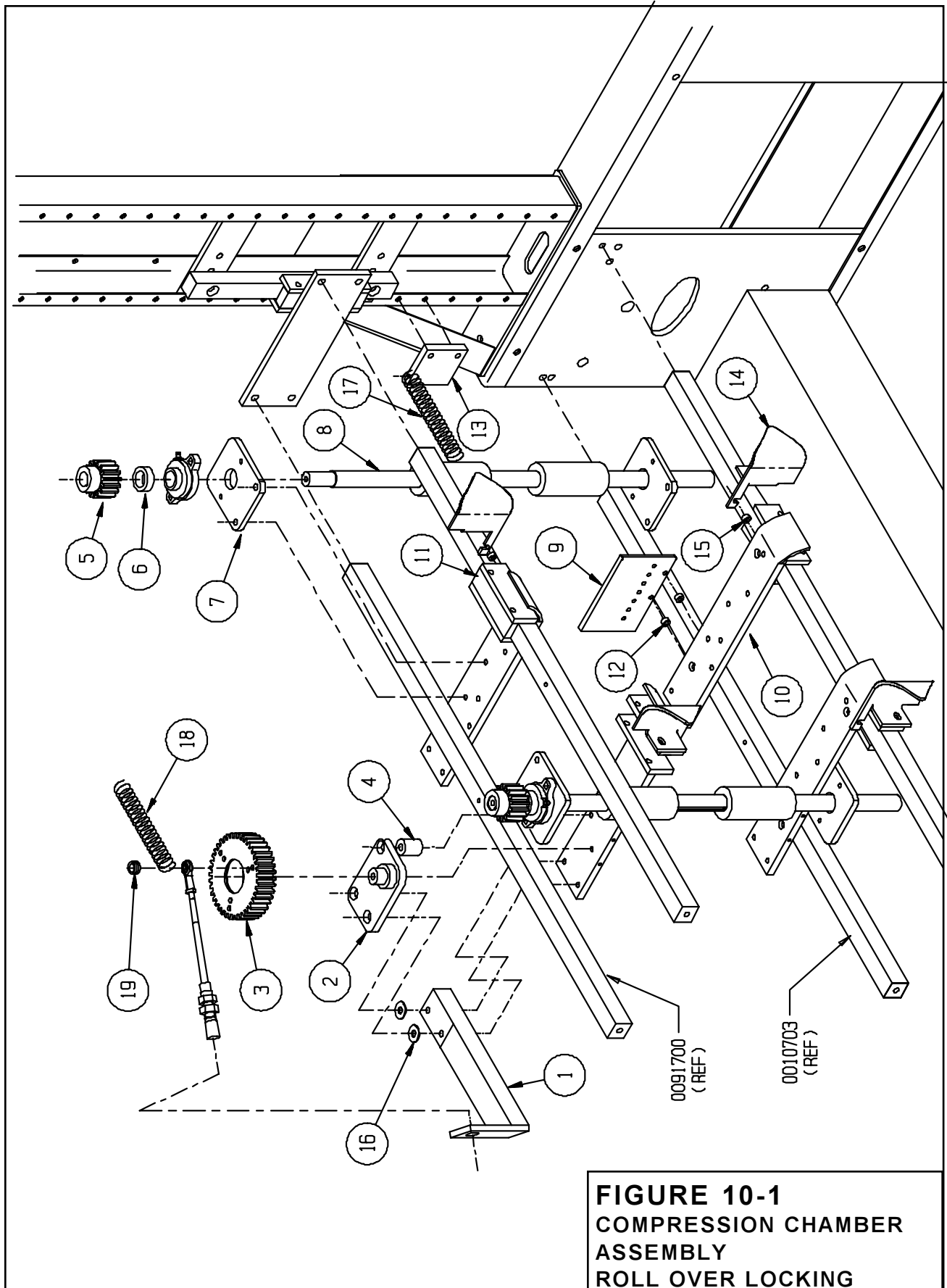
**FIGURE 10-1**  
**COMPRESSION CHAMBER**  
**ASSEMBLY ROLL OVER LOCKING**

ITEM	PART NO.	DESCRIPTION	QTY.
1	0098900R/L	BRACKET, CABLE	1/1
2	0098800R/L	PLATE, GEAR MOUNTING	1/1
3	0096800	GEAR DRIVE	2
4	0084600	SPACER, COMPRESSION SUPPORT	2
5	0029501	GEAR, VACUUM FEED PINION	2
6	0097300	GEAR SPACER	2
7	0096900	BASE PLATE	4
8	0097400	SHAFT, COMPRESSION	2
9	0097500	PLATE, COMPRESSION	4
10	0097000R/L	SHOE, TRAY FORMING	2/2
11	0034100	BAR CLAMP	4
12	0200900	BUSHING	8
13	0098100	SPRING MOUNT	2
14	0018802R/L	PLOW	2/2
15	0207400	BUSHING	4
16	1501200	WASHER	4
17	1202900	SPRING	2
18	1202801	SPRING	1
19	0098101	WHEEL, ROL SPRING	2

**Hardware Not Shown**



# Tray Box Former



**FIGURE 10-1**  
COMPRESSION CHAMBER  
ASSEMBLY  
ROLL OVER LOCKING

*Option Parts & Illustrations*

# Tray Box Former



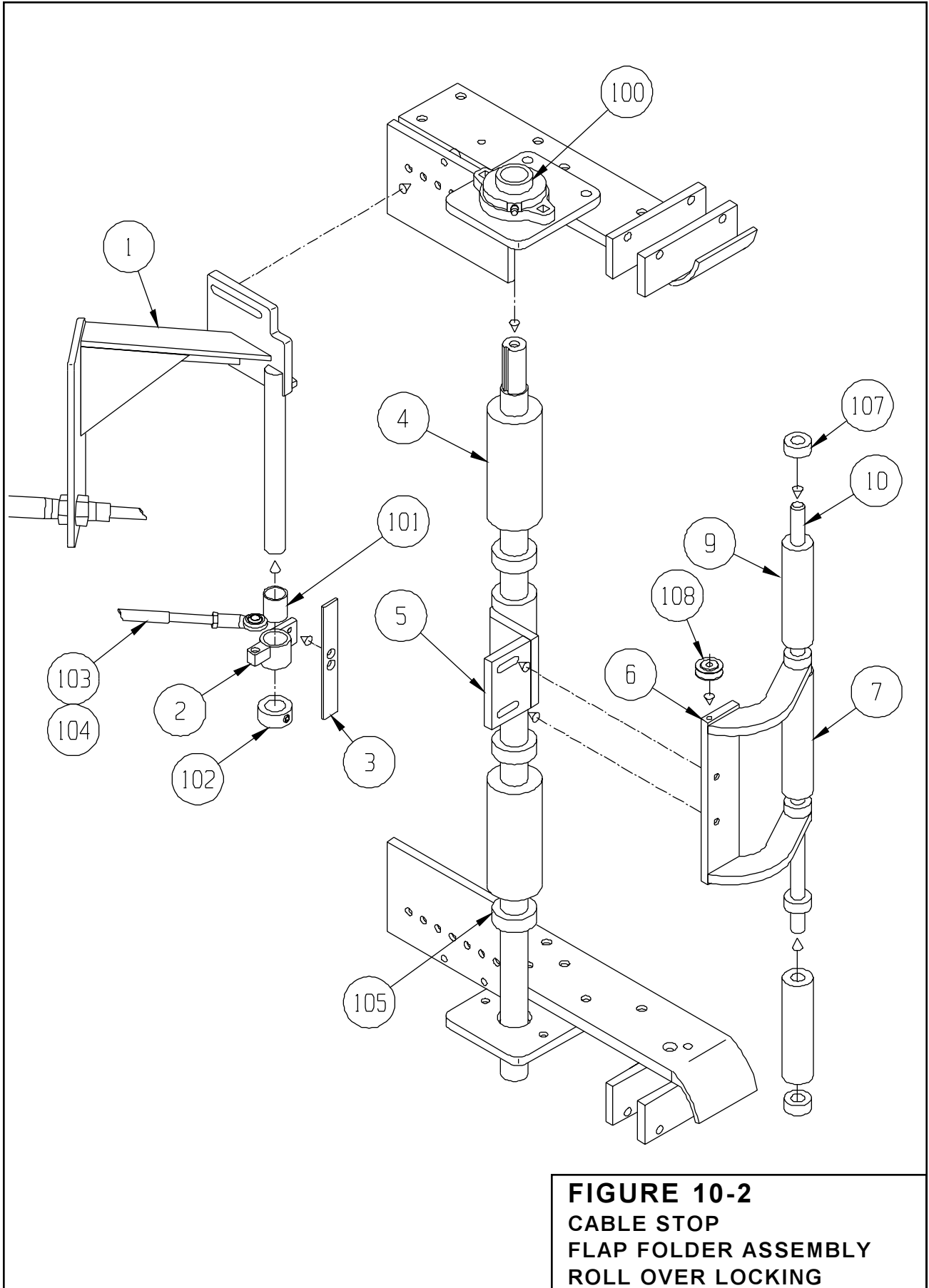
**FIGURE 10-2**  
**CABLE STOP-FLAP FOLDER**  
**ASSEMBLY ROLL OVER LOCKING**

ITEM	PART NO.	DESCRIPTION	QTY.
1	0095900R/L	BRACKET, CABLE STOP MOUNT	1/1
2	0096100R/L	STOP	1/1
3	0092800	VERTICAL STOP	2
4	0091900	ROLLER, VERTICAL	4
5	0099400	FLAP FOLDER MOUNT	2
6	0099600	FLAP FOLDER	2
7	0097700	ROLLER, INNER	2
9	0097600	ROLLER, OUTER	4
10	0097800	ROD, FLAP FOLDER	2
100	0501200	FLANGE BEARING, 1" DIA.	4
101	0200100	BUSHING, BRONZE	2
102	0100500	SET COLLAR, 3/4"	2
103	0056100	5/16 CABLE STOP, 2-90	1
104	0090600	5/16 CABLE STOP, 2-120	1
105	0100700	SET COLLAR, 1" DIA.	6
107	0100300	SET COLLAR, 1/2" DIA.	10
108	1811900	PIVOT BEARING SPRING	2

**Hardware Not Shown**



# Tray Box Former



**FIGURE 10-2**  
CABLE STOP  
FLAP FOLDER ASSEMBLY  
ROLL OVER LOCKING

*Option Parts & Illustrations*

# Tray Box Former

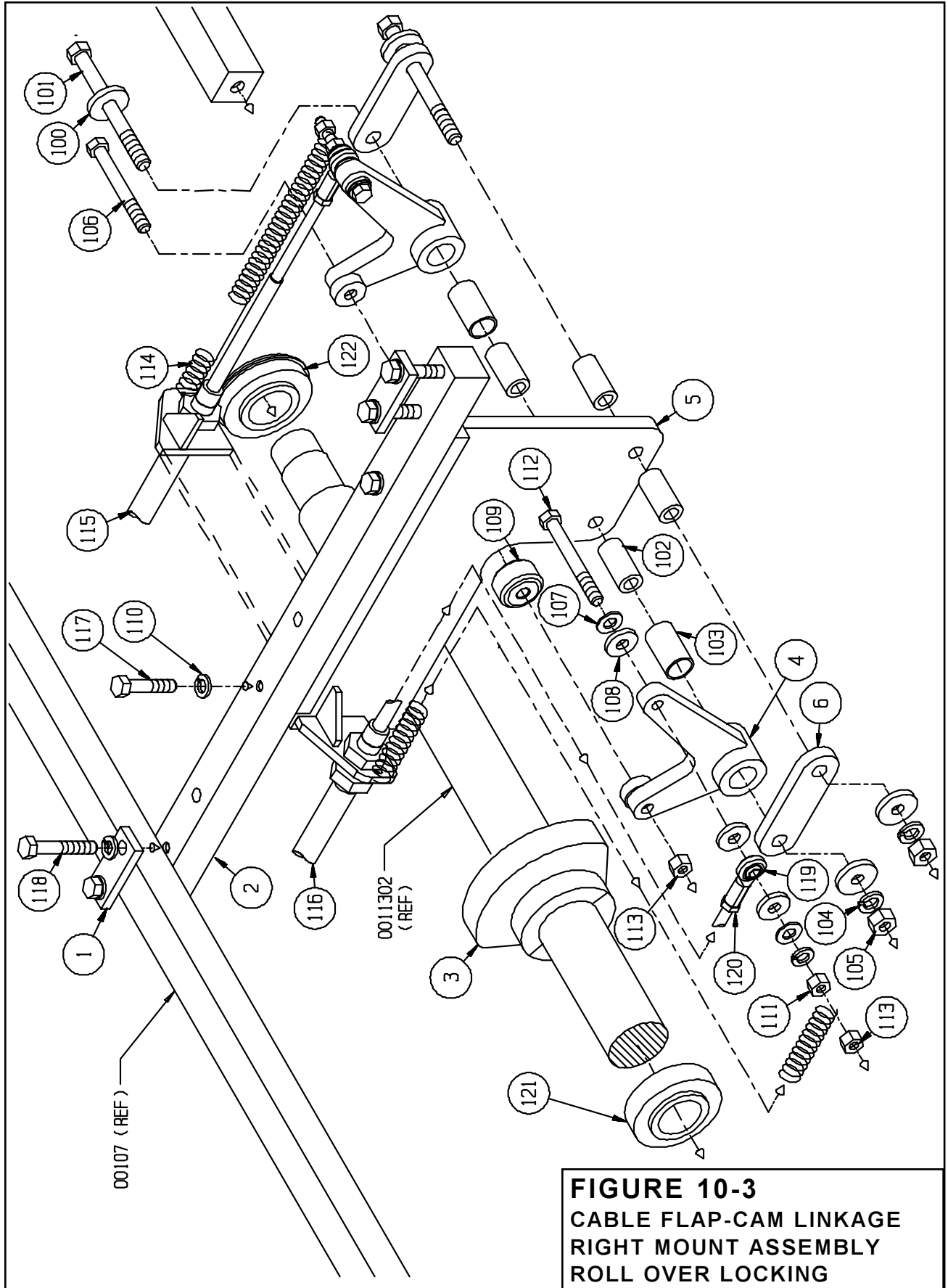


**FIGURE 10-3**  
**CABLE FLAP- CAM LINKAGE**  
**ROLL OVER LOCKING**

ITEM	PART NO.	DESCRIPTION	QTY.
1	0012801	CLAMP	2
2	0061501	BAR, LOWER MOUNT	1
3	0092000	CAM	1
4	0099000R/L	WELDMT, CABLE PULL LEVER	1/1
5	0099200	BRACKET, LEVER	1
6	0051501	STRAP, EXTENDED BRKT	2
100	1500600	WASHER	2
101		7/16-14 HEX HD CAP SCR X 5 1/4	2
102	0074300	BUSHING, LEVER	4
103	0209200	BUSHING, SLEEVE	2
104		7/16 STD LOCK WASHER	1
105		7/16-14 STD HEX NUT	1
106		3/8-16 HEX HD CAP SCR X 3	1
107		3/8 SAE FLAT WASHER	4
108	1500101	WASHER	6
109	0500701	1 3/8 BEARING	1
110		3/8 STD LOCK WASHER	9
111		3/8-16 STD HEX NUT	2
112		3/8-16 HEX HD CAP SCR X 2 1/2	1
113		3/8 FIBER LOCK NUT	3
114	1202700	SPRING	2
115	0090500	3/8 CABLE, 3-96	1
116	0096600	3/8 CABLE, 3-120	1
117		3/8-16 HEX HD CAP SCR X 1 3/4	2
118		3/8-16 HEX HD CAP SCR X 3 1/4	4
119	0501001	3/8 ROD END	2
120		3/8-24 STD HEX NUT	2
121	0500201	BEARING, HEAVY DUTY PINION	1
122	0500101	BEARING, HEAVY DUTY PINION	1



# Tray Box Former



**FIGURE 10-3**  
CABLE FLAP-CAM LINKAGE  
RIGHT MOUNT ASSEMBLY  
ROLL OVER LOCKING

*Option Parts & Illustrations*

# Tray Box Former



**FIGURE 10-4**  
**STRIPPER MOUNT**  
**ROLL OVER LOCKING**

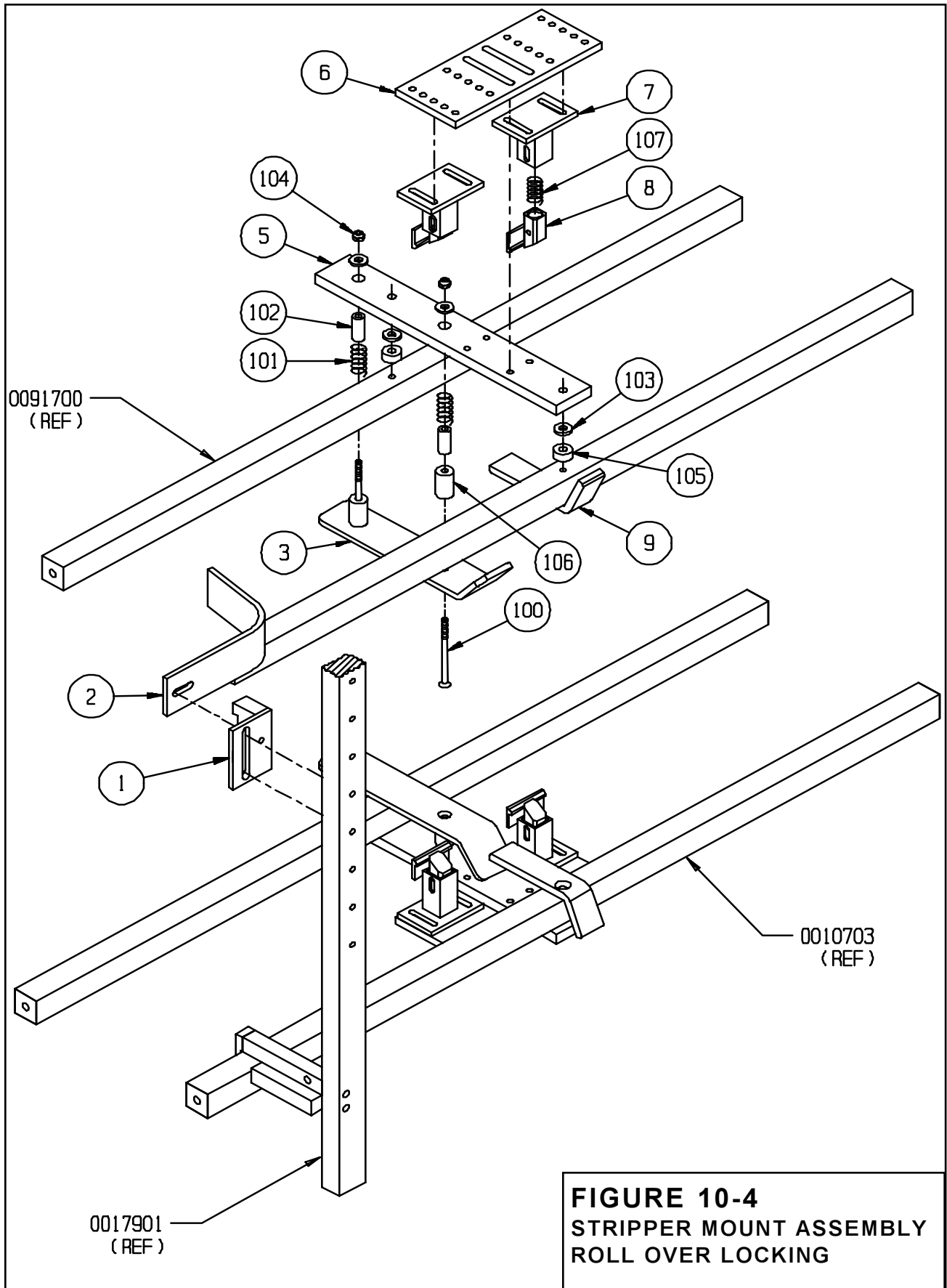
ITEM	PART NO.	DESCRIPTION	QTY.
1	0064900	GUIDE, BRACKET	4
2	0098000	GUIDE	4
3	0065001	SHOE, DEFLECTOR	2
5	0097100	PLATE, MOUNT	2
6	0097200	PLATE, MOUNT SUPPORT	2
7	0095700	WELDMT, ACUATOR	4
8	0092601	ACTUATOR	4
9	0022501	SHOE, CENTER FLANG FORMING	2
100		1/4-20 SCKT FLT HD SCREW X 3 1/4	4
101	1200300	SPRING	4
102	0207000	BUSHING	4
103	1501100	WASHER	8
104		1/4-20 FIBER LOCK NUT	4
105	0203800	BUSHING	4
106	0207001	BUSHING	4
107	1200300	SPRING	4

**Hardware Not Shown**





# Tray Box Former



Option Parts & Illustrations

# Tray Box Former

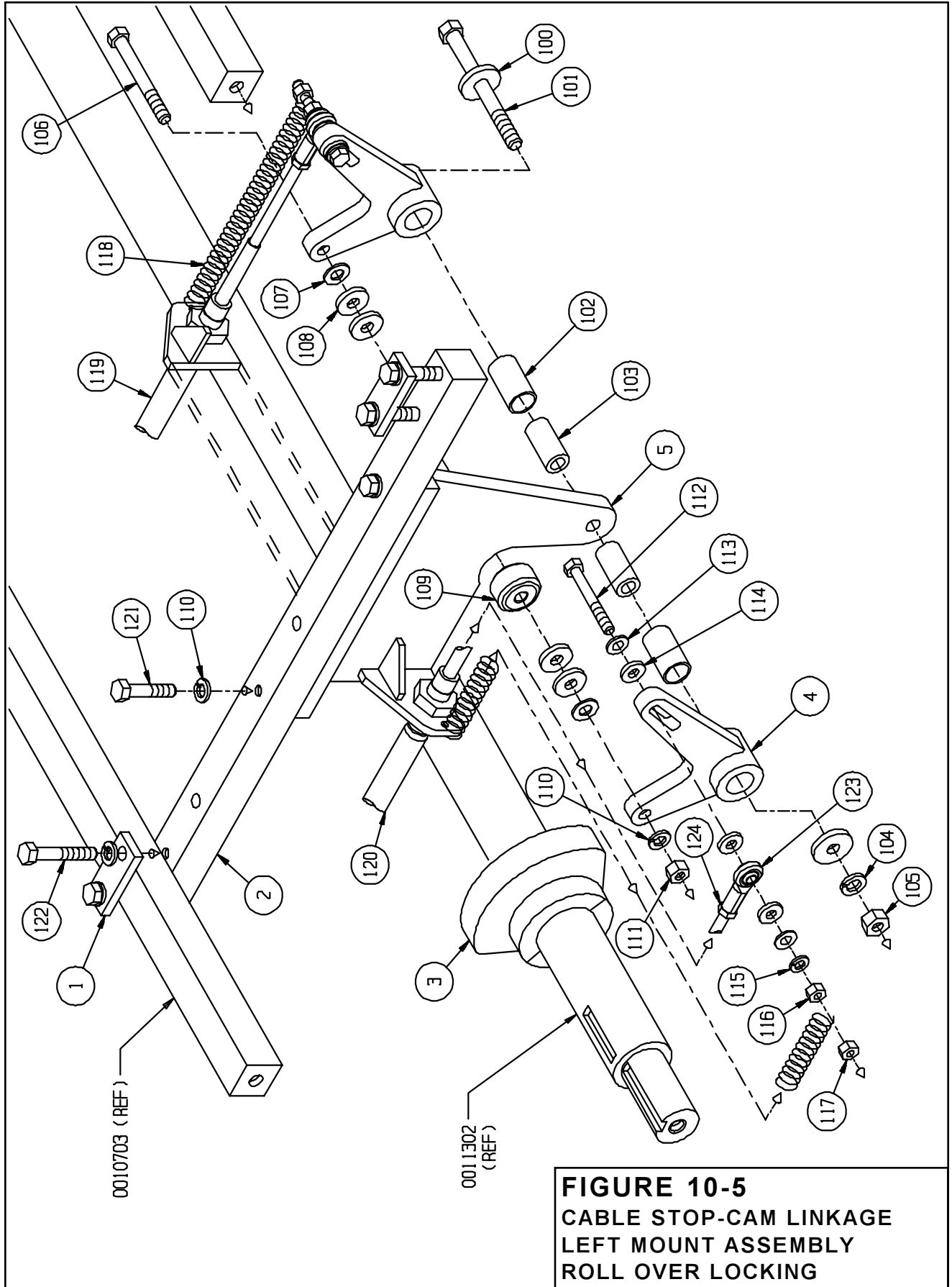


**FIGURE 10-5**  
**CABLE STOP CAM LINKAGE**  
**ROLL OVER LOCKING**

ITEM	PART NO.	DESCRIPTION	QTY.
1	0012801	CLAMP	2
2	0061501	BAR, LOWER MOUNT	1
3	0092000	CAM	1
4	0061000	WELDMT, CABLE PULL LEVER	2
5	0095800	BRACKET, LEVER	1
100	1500600	WASHER	2
101		7/16-14 HEX HD CAP SCR X 4 1/2	1
102	0209200	BEARING, SLEEVE	2
103	0074300	BUSHING, LEVER	2
104		7/16 STD LOCK WASHER	1
105		7/16-14 STD HEX NUT	1
106		3/8-16 HEX HD CAP SCR X 3 1/4	1
107		3/8 SAE FLAT WASHER	2
108	1500101	WASHER	4
109	0500700	1 3/8 BEARING	1
110		3/8 STD LOCK WASHER	7
111		3/8-16 STD HEX NUT	1
112		5/16-18 HEX HD CAP SCR X 2 1/2	1
113		5/16 SAE FLAT WASHER	4
114	1501100	WASHER	6
115		5/16 STD LOCK WASHER	2
116		5/16-18 STD HEX NUT	2
117		5/16-18 FIBER LOCK NUT	2
118	1202800	SPRING	2
119	0090600	5/16 CABLE, 2-120	1
120	0056100	5/16 CABLE, 2-90	1
121		3/8-16 HEX HD CAP SCR X 1 3/4	4
122		3/8-16 HEX HD CAP SCR X 3 1/4	2
123	0501002	5/16 ROD END	2
124		5/16-24 STD HEX NUT	2



# Tray Box Former



*Option Parts & Illustrations*

# Tray Box Former

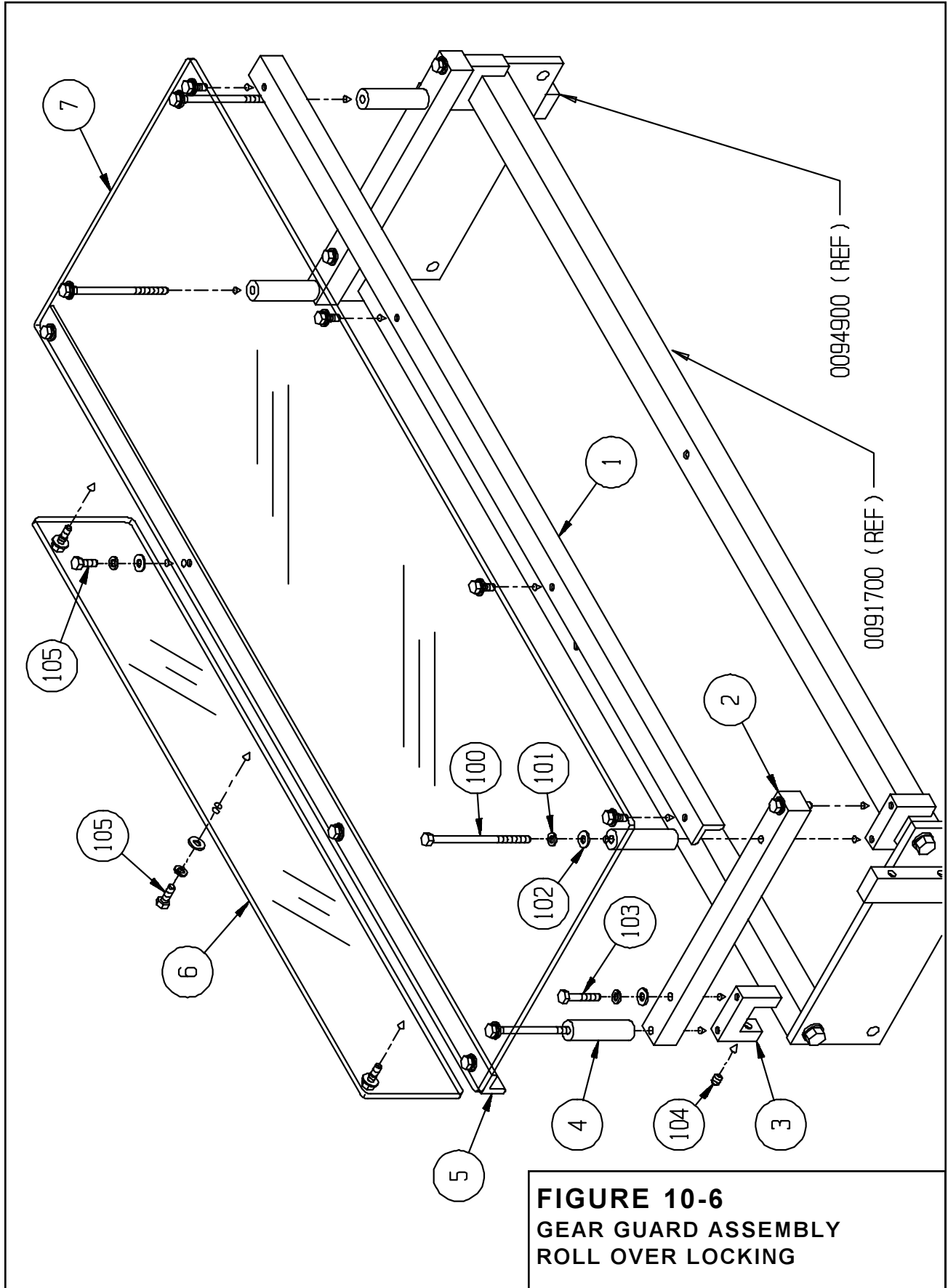


**FIGURE 10-6**  
**GEAR GUARD**  
**ROLL OVER LOCKING**

ITEM	PART NO.	DESCRIPTION	QTY.
1	0098500	ANGLE, FRONT GUARD MOUNT	1
2	0098300	BAR, GUARD MOUNT	2
3	0032200	TAB, STOP	4
4	0098200	SPACER, GUARD	4
5	0098400	ANGLE, REAR GUARD MOUNT	1
6	0098600	GUARD, REAR PANEL	1
7	0098700	GUARD, TOP PANEL	1
100		1/4-20 HEX HD CAP SCR X 4 1/2 LG	4
101		1/4 STD LOCK WASHER	19
102		1/4 SAE FLAT WASHER	19
103		1/4-20 HEX HD CAP SCR X 1 1/2 LG	4
104		5/16-18 CUP PT SET SCR X 3/8 LG	4
105		1/4-20 HEX HD CAP SCR X 3/4 LG	11



# Tray Box Former



*Option Parts & Illustrations*

# Tray Box Former



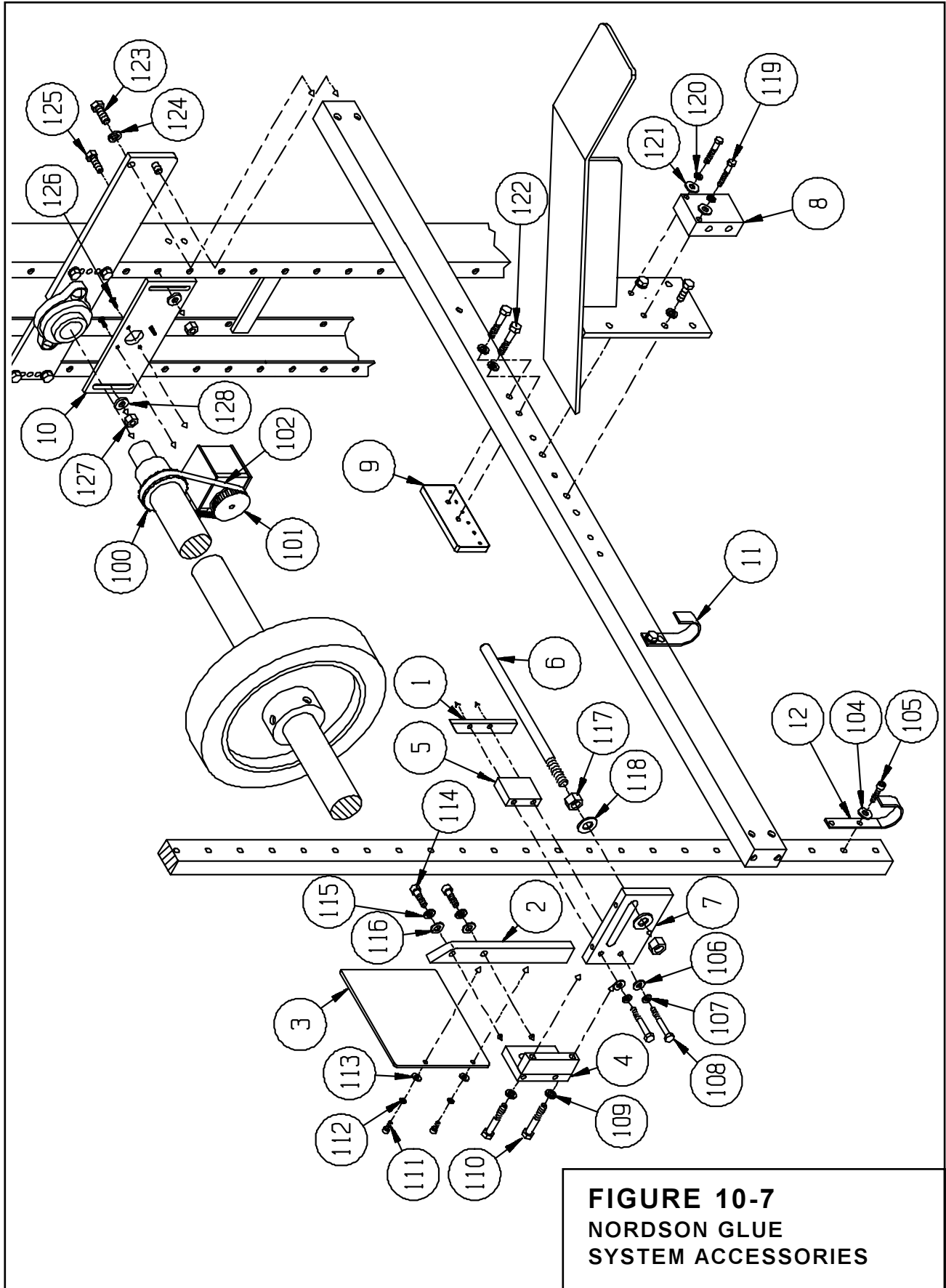
## FIGURE 10-7 NORDSON GLUE SYSTEM ACCESSORIES

ITEM	PART NO.	DESCRIPTION	QTY.
1	0075800	BAR, SMALL DEFLECTOR	2
2	0076000	BAR, LARGE DEFLECTOR	2
3	0075600	PLATE, SHEILD	2
4	0019701R/L	MOUNT, MELT POT	1/1
5	0075700	BLOCK, SPACER	2
6	0075900	SHAFT, ADHESIVE HEAD ADJ.	2
7	0075500	BLOCK, MOUNTING	2
8	0051700	BLOCK, 4 PORT MANIFOLD	1
9	0052601	MOUNT, PHOTO EYE PLATE	1
10	0077600	PLATE, DECODER MOUNT	1
11	0076500	HANGER, GLUE HOSE (BAR MT.)	2
12	0076501	HANGER, GLUE HOSE (TREE MT.)	2
100	0052000	DRIVER PULLEY (SB)	1
	0052001	DRIVER PULLEY (WB)	1
101	0052100	PULLEY, ENCODER	1
102	0051900	NORDSON BELT	1
104	8035800	5/16 SAE FLT WASHER	2
105	8032600	5/16-18 SCKT HD SCR X 3/4	2
106	8035700	1/4 SAE FLT WASHER	4
107	8036600	1/4 STD LOCK WASHER	4
108	8007200	1/4-20 HEX HD CAP SCR X 2 1/2	4
109	8036700	5/16 STD LOCK WASHER	4
110	8035700	1/4 SAE FLT WASHER	4
111	8030400	#10-32 SCKT HD CAP SCR X 1/2	4
112	8036500	#10 STD LOCK WASHER	4
113	8035600	#10 SAE FLT WASHER	4
114	8032700	5/16-18 SCKT HD CAP SCR X 1	4
115	8036700	5/16 STD LOCK WASHER	10
116	8035800	5/16 SAE FLT WASHER	2
117	8024700	1/2-13 HEX HD NUT	4
118	8036100	1/2 SAE FLT WASHER	4
119	8007300	1/4-20 HEX HD CAP SCR X 1 3/4	2
120	8036600	1/4 STD LOCK WASHER	2
121	8035700	1/4 SAE FLT WASHER	2
122	8008300	5/16-18 HEX HD CAP SCR X 1	2
123	8010000	3/8-16 HEX HD CAP SCR X 1	4
124	8036800	3/8 STD LOCK WASHER	4
125	8008300	5/16-18 HEX HD CAP SCR X 1	10
126	8015500	#6-32 RD HD SLOT SCR X 1/2	4
127	8024400	5/16-18 STD HEX NUT	2
128	1501100	WASHER	2

**Option Parts & Illustrations**



# Tray Box Former



**FIGURE 10-7**  
NORDSON GLUE  
SYSTEM ACCESSORIES

*Option Parts & Illustrations*

# Tray Box Former



## FIGURE 10-8 NORDSON GLUE HEAD & ACCESSORIES

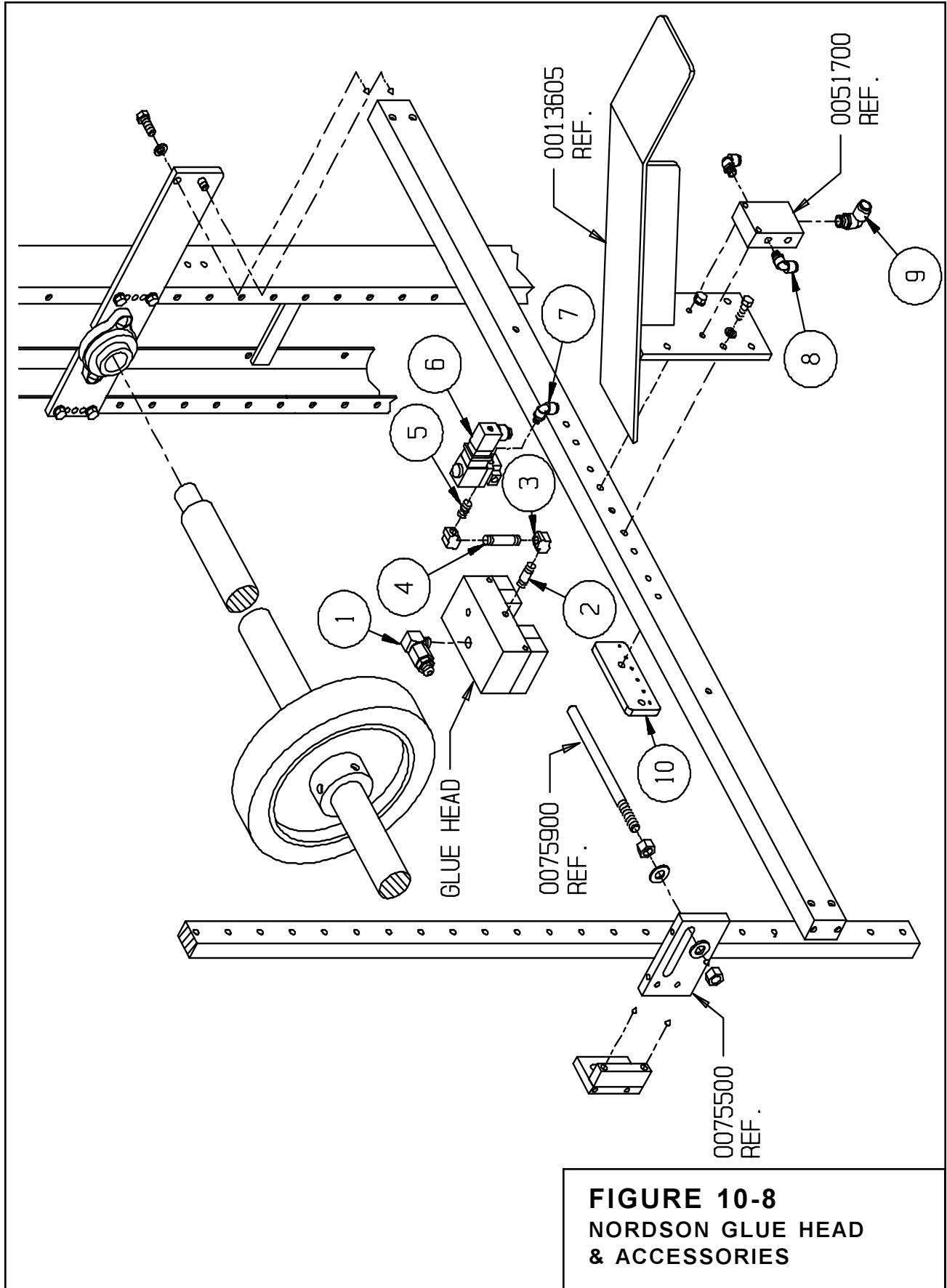
ITEM	PART NO.	DESCRIPTION	QTY.
1	1811300	FILTER, IN LINE 90°	2
2	1813200	1 1/4 PIPE NIPPLE	2
3	1813000	1/8" 90° ELBOW	4
4	1813100	2" PIPE NIPPLE	2
5	1813300	3/4" PIPE NIPPLE	2
6	1810800	VALVE, SOLENOID	2
7	1808900	ELBOW (1/8 NPT)	2
8	1803900	ELBOW (1/4 NPT)	2
9	1804000	ELBOW (1/4 NPT)	1
*	1811100	HOSE 2300 AUT, 230V, 10FT	1
*	1811200	HOSE 2300 AUT, 230V, 12FT	1
*	1811400	CONN, ASSY., 90°	2
*	1810200	NOZZLE, BOTTON .016 DIA.	4
*	2004000	NORDSON MTG HARDWARE	1

\* Not Shown





# Tray Box Former



*Option Parts & Illustrations*

# Tray Box Former

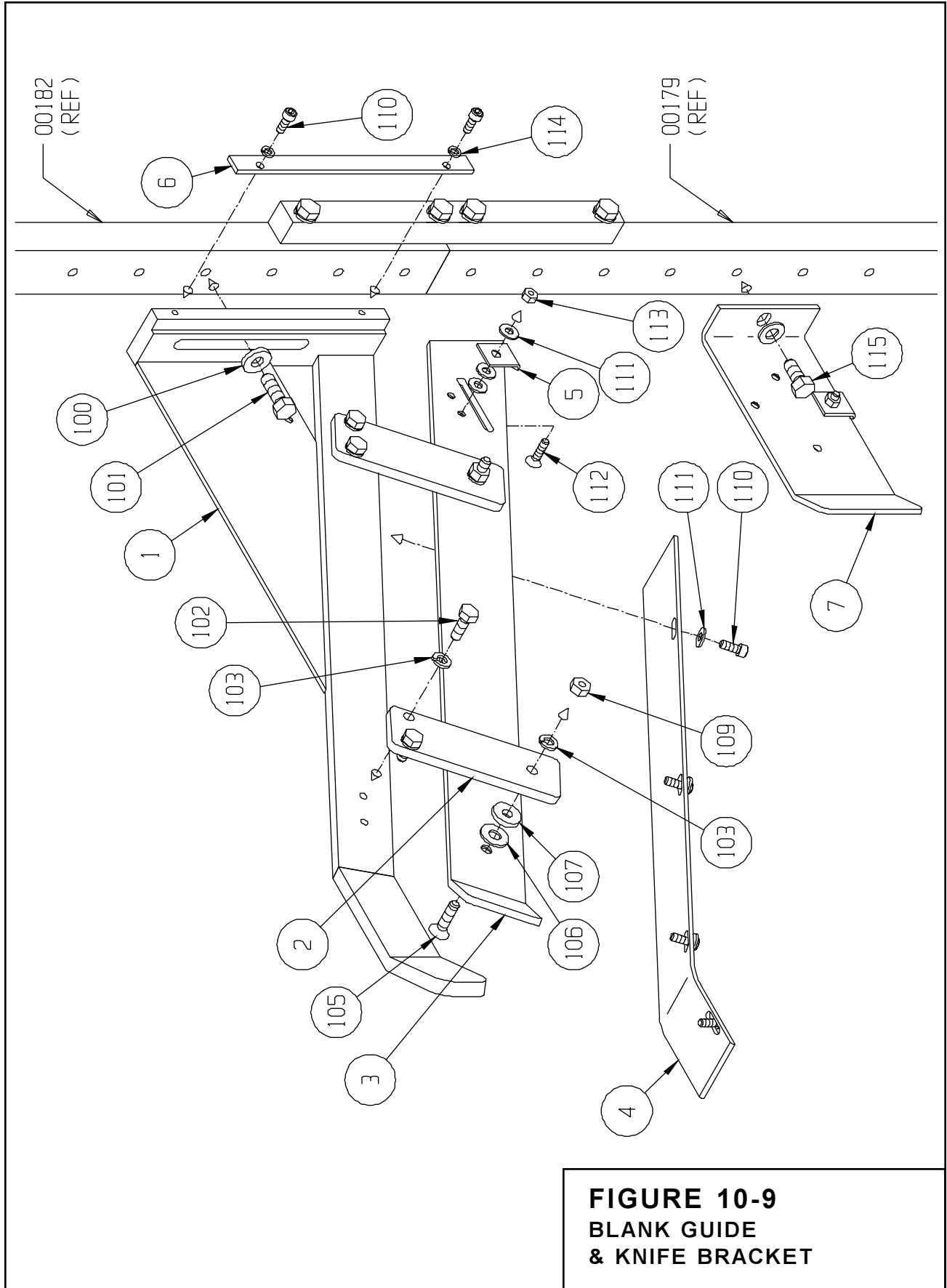


**FIGURE 10-9**  
**BLANK GUIDE**  
**& KNIFE BRACKET**

ITEM	PART NO.	DESCRIPTION	QTY.
1	0018902R/L	SUPPORT, BLANK GUIDE	2L/2R
2	2111000	LEG	4
3	2110900R/L	GUIDE, BLANK	1/1
4	0019528R/L	BLADE, BLANK SUPPORT	1/1
5	0010502R/L	KNIFE, BLANK SUPPORT	2/2
6	0018600	GIB, TRAY BLANK SUPPORT	4
7	0039501	GUIDE, MATT	2
100	1501100	WASHER	6
101		5/16-18 HEX HD CAP SCR X 1	4
102		1/4-20 HEX HD CAP SCR X 3/4	8
103		1/4 STD LOCK WASHER	12
105		1/4-20 SCKTFLT HD SCR X 1	4
106	1502500	WASHER	4
107	1501500	WASHER	4
109		1/4-20 STD HEX NUT	4
110		#10-32 SCKT HD CAP SCR X 1/2	12
111		#10 SAE FLT WASHER	14
112		#10-32 SCKTFLT HD SCR X 3/4	4
113		1/4-20 FIBER LOCK NUT	4
114		#10 STD LOCK WASHER	4
115		5/16-18 HEX HD CAP SCR X 3/4	2



# Tray Box Former



**FIGURE 10-9**  
BLANK GUIDE  
& KNIFE BRACKET

*Option Parts & Illustrations*

# Tray Box Former

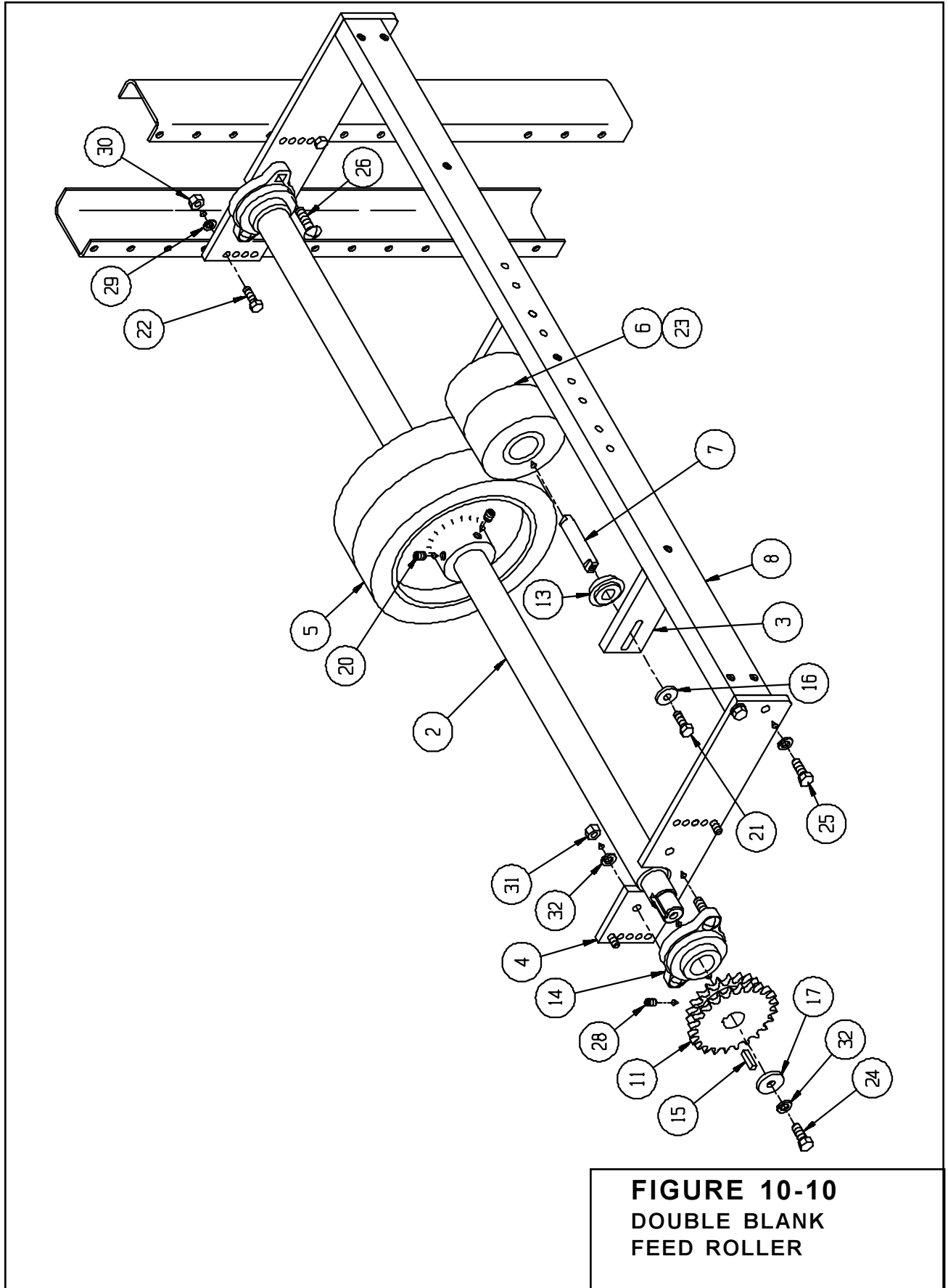


**FIGURE 10-10**  
**DOUBLE BLANK FEED ROLLER**

ITEM	PART NO.	DESCRIPTION	QTY.
2	0015205	SHAFT, BLANK FEED ROLLER	1
3	0016400	MOUNT, BLANK FEED IDLE ROLL	2
4	0017706	PLATE, BLANK FEED TRANS.	2
5	0018001	WHEEL, BLANK FEED	2
6	0018100	ROLLER, BLANK FEED IDLE	2
7	0018402	AXLE, BLANK FEED IDLE ROLL	1
8	0020504	BAR, BLANK FEED IDLE ROLL MT	1
11	0045400	SPROCKET, VACUUM FEED DRIVE	1
13	0500600	BRG., BLANK FEED IDLE ROLL	4
14	0501201	BRG., BLK FD IDLE ROLL DR SFT	2
15	0900301	KEY, 1/4 X 1/4 1 LG	1
16	1500102	WASHER	2
17	1500500	WASHER	1
20	8033700	3/8 NC X 1/2 SKT SET SCR	4
21	8008300	5/16 NC X 1 HEX HD SCR	2
22	8008300	5/16 NC X 1 HEX HD SCR	4
23	0205000	WASHER	1
24	8009900	3/8 NC X 3/4 HEX HD SCR	1
25	8010000	3/8 NC X 1 1/4 HEX HD SCR	4
26	8001500	3/8 NC X 1 3/4 CARRIAGE BOLT	4
28	8027000	5/16 NC X 1/2 C/P SKT SET SCR	2
29	8036700	5/16 LOCK WASHER	4
30	8024400	5/16 NC NUTS	4
31	8024500	3/8 NC NUTS	4
32	8036800	3/8 LOCK WASHER	8



# Tray Box Former



**FIGURE 10-10**  
DOUBLE BLANK  
FEED ROLLER

*Option Parts & Illustrations*

# Tray Box Former

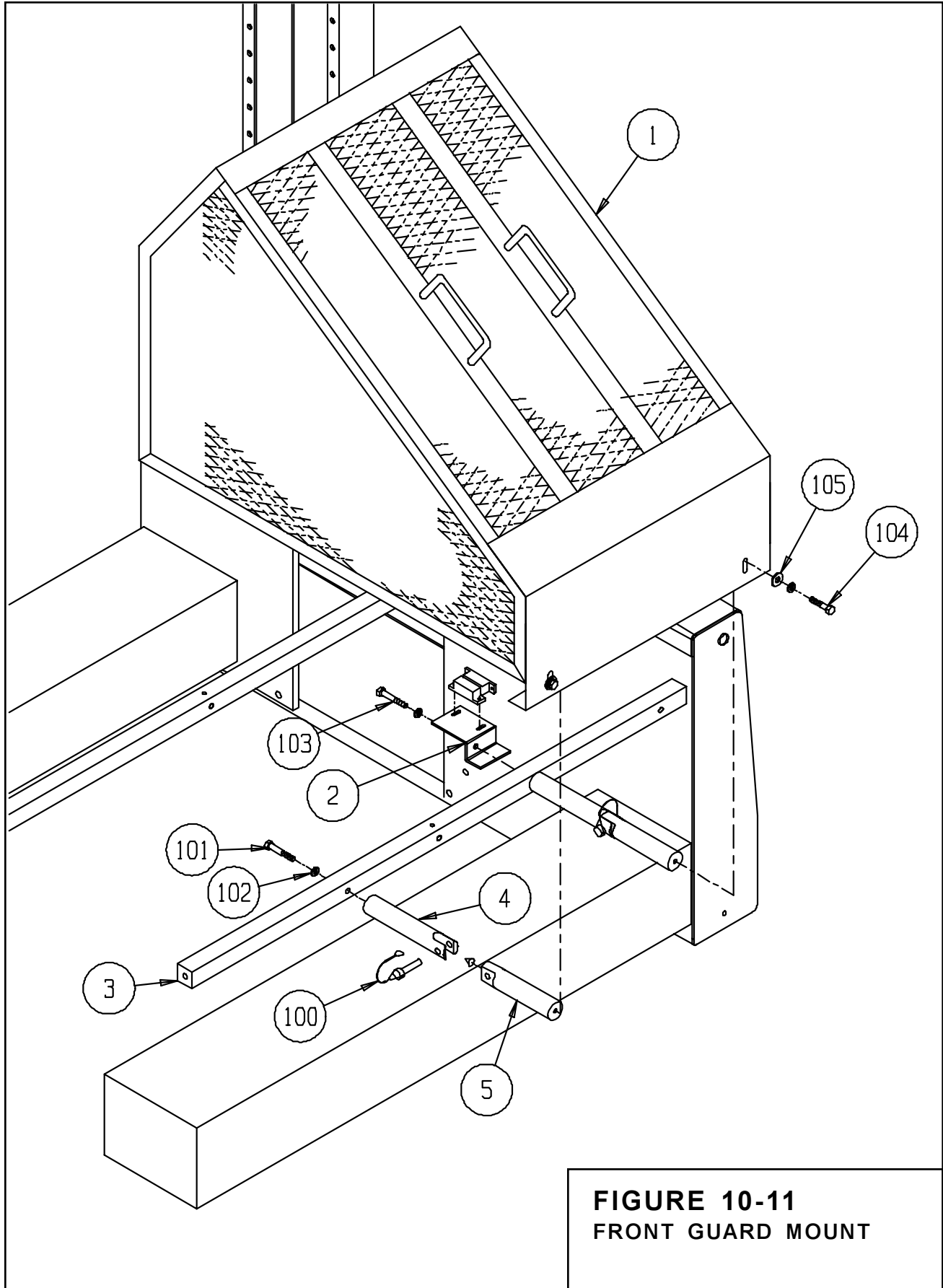


**FIGURE 10-11**  
**FRONT GUARD MOUNT**

ITEM	PART NO.	DESCRIPTION	QTY.
1	0013005	GUARD-TRAY	1
2	0053301	SWITCH MOUNT	1
3	0010707	SPREADER BAR-FRAME	1
4	0094500	CAGE HINGE-FEMALE	2
5	0094400	CAGE HINGE-MALE	2
100	1809500	PIN	2
101	8008700	5/16-18 HEX HD CAP SCR X 2	1
102	8036700	5/16 LOCK WASHER	4
103	8008000	5/16NC X 2 1/4 LG SCREW	1
104	8008500	5/16NC X 1 1/2 LG SCREW	2
105	1500500	WASHER	2



# Tray Box Former



**FIGURE 10-11**  
**FRONT GUARD MOUNT**

*Option Parts & Illustrations*

# Tray Box Former



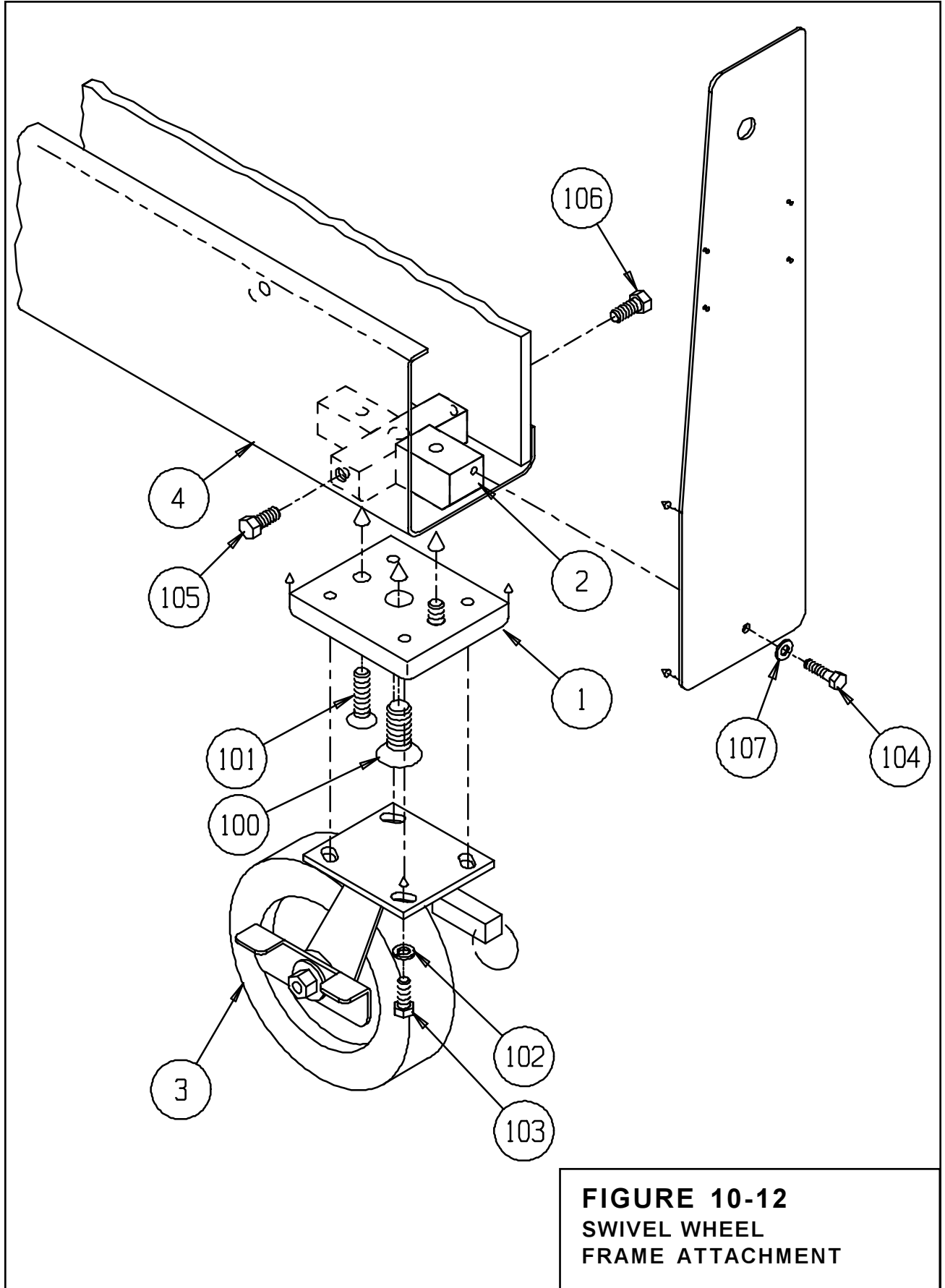
**FIGURE 10-12**  
**SWIVEL WHEEL**  
**FRAME ATTACHMENT**

ITEM	PART NO.	DESCRIPTION	QTY.
1	0043701	PLATE, SWIVEL	4
2	0043700R/L	ADAPTER, SWIVEL	2/2
3	1812900	WHEEL, SWIVEL	4
4	00106XX	FRAME	REF
100	8006750	3/4-10 SCKT FLT HD SCR X 2	4
101	8006701	1/2-13 SCKT FLT HD SCR X 2	8
102	8036800	3/8 LOCK WASHER	16
103	8010000	3/8-16 HEX HD CAP SCR X 1	16
104	8008200	5/16-18 HEX HD CAP SCR X 3/4	4
105	8011700	7/16-14 HEX HD CAP SCR X 1	4
106	8011900	7/16-14 HEX HD CAP SCR X 1 1/2	4
107	8035800	5/16 SAE FLAT WASHER	4





# Tray Box Former



**FIGURE 10-12**  
SWIVEL WHEEL  
FRAME ATTACHMENT

*Option Parts & Illustrations*

# Tray Box Former

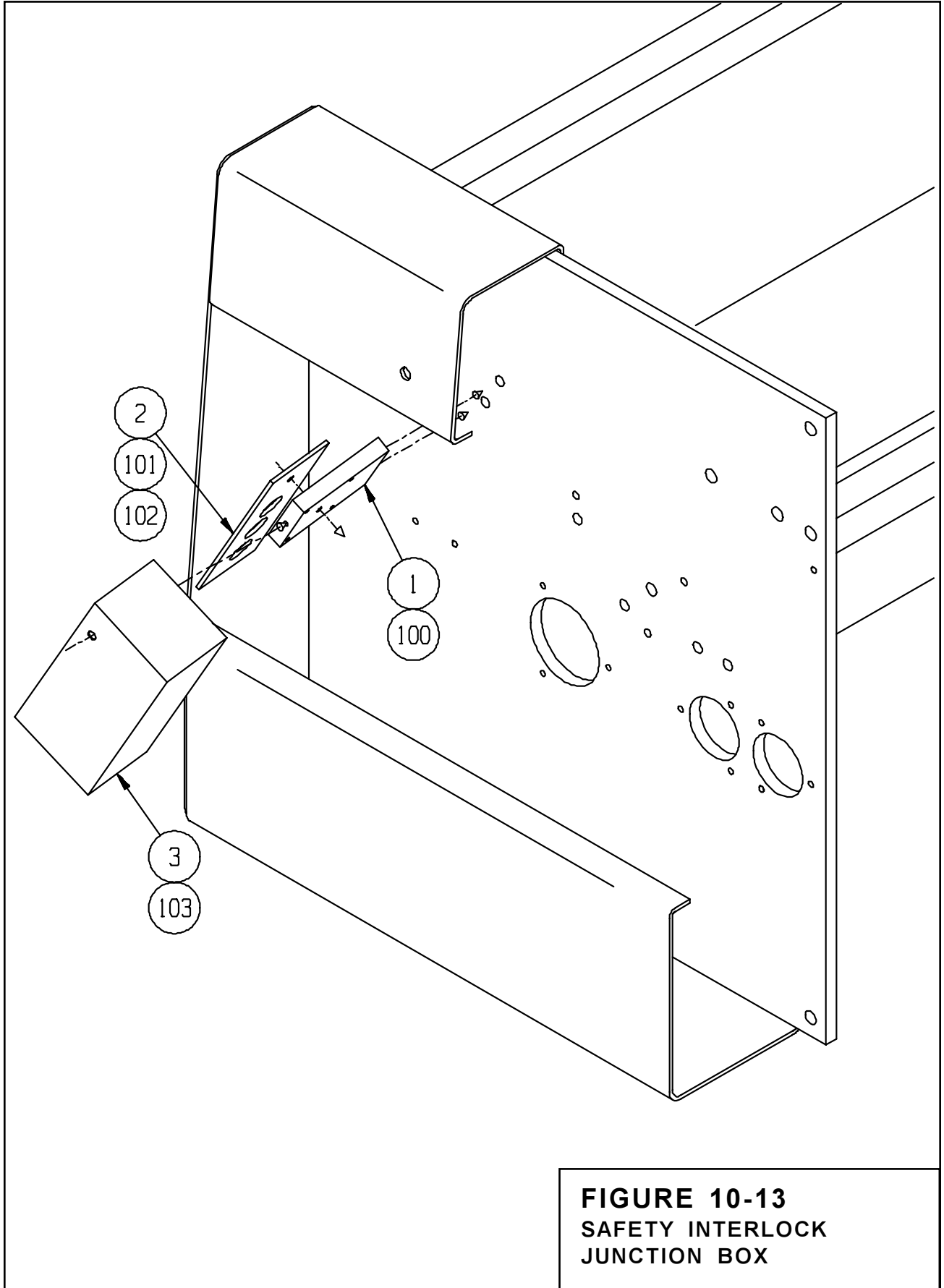


**FIGURE 10-13**  
**SAFETY INTERLOCK**  
**JUNCTION BOX**

ITEM	PART NO.	DESCRIPTION	QTY.
1	0027900	BRACKET, SOLENOID MTG	1
2	0028501	PLATE, SOLENOID COVER	1
3	0028500	COVER, BRAKE SOLENOID	1
100	8000700	5/16-18 BUTTON HD SCR X 1	2
101	8006800	1/4-20 HEX HD CAP SCR X 1/2	1
102	8036600	1/4 STD LOCK WASHER	1
103	8016900	10-32 SLOT MACHINE SCR X 1/2	1



# Tray Box Former



**FIGURE 10-13**  
SAFETY INTERLOCK  
JUNCTION BOX

*Option Parts & Illustrations*

# Tray Box Former

---



**THIS PAGE IS BLANK**

*Option Parts & Illustrations*