



Option Parts & Illustrations

INTRODUCTION

This section lists and illustrates the replaceable assemblies and parts of the Bliss Box Former as manufactured by W. E. Plemons Machinery Services, Inc. Each parts list contains the component parts for that assembly.

Index

FIGURE / DESCRIPTION

SINGLE WALL PANELS

MANDREL SUPPORT PLATE
CORNER POST-1 OF 2

SINGLE WALL PANELS

MANDREL SUPPORT PLATE
CORNER POST-2 OF 2

DOUBLE WALL PANELS

MANDREL SUPPORT PLATE
CORNER POST-1 OF 2

DOUBLE WALL PANELS

MANDREL SUPPORT PLATE
CORNER POST-2 OF 2

FIGURE

MINI TREE-CORNER POST
DRAWING 1 OF 2

FIGURE

MINI TREE-CORNER POST
DRAWING 2 OF 2

FIGURE

FRONT GUARD ASSEMBLY
INTERNAL FLANGE-CORNER POST
DRAWING 1 OF 2

FIGURE

FRONT GUARD ASSEMBLY
INTERNAL FLANGE-CORNER POST
DRAWING 2 OF 2

Illustrated Parts

See Next Page



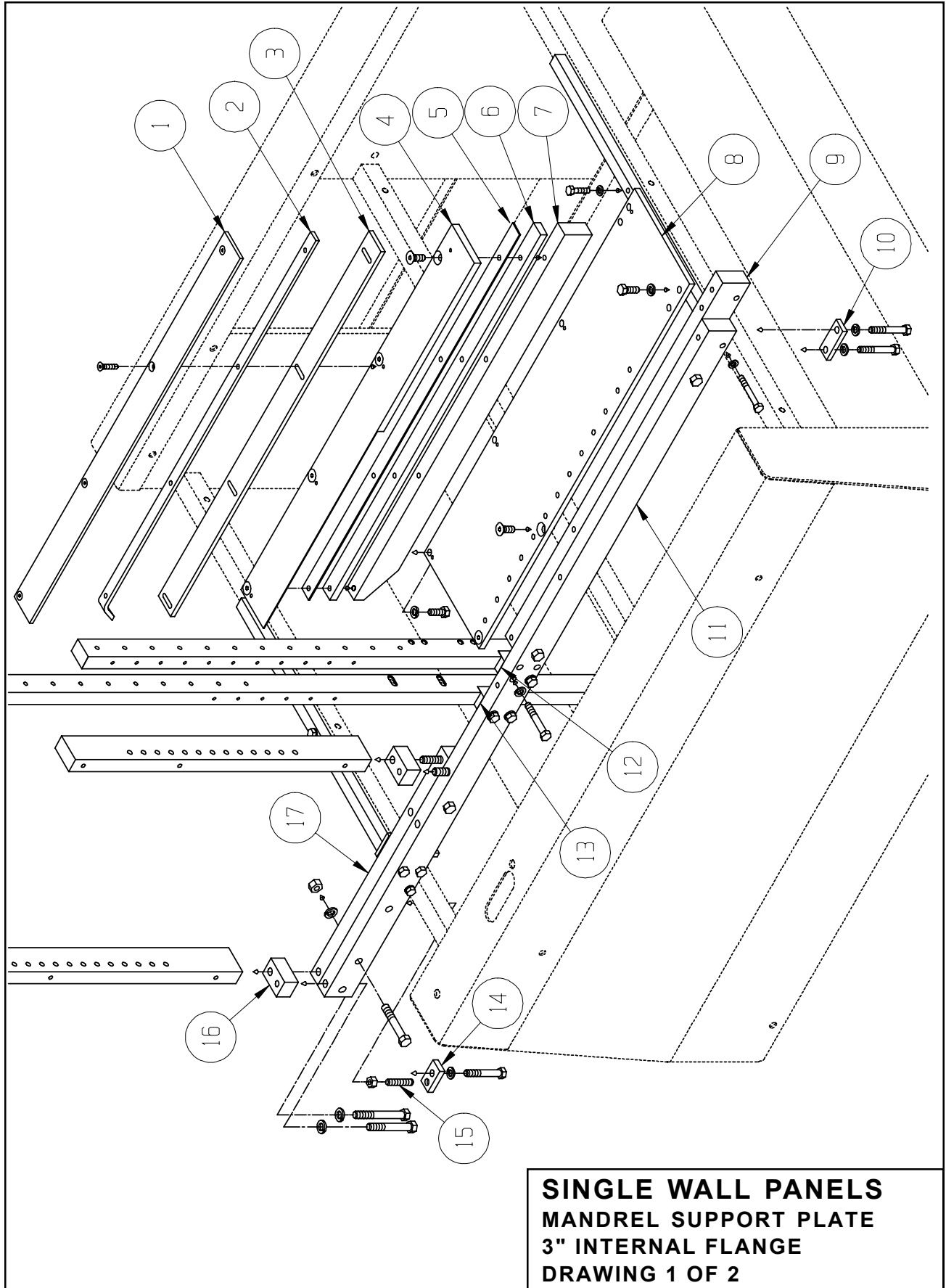
Bliss Box Former

SINGLE WALL PANELS MANDREL SUPPORT PLATE 3" INTERNAL FLANGE

ITEM	PART NO.	DESCRIPTION	QTY.
1	0012400R/L	STRIP, MANDREL CAP	1/1
2	0031201R/L	SHIM, GUIDE CAP	1/1
3	0012300	RAIL, MANDREL GUIDE	2
4	0025300R/L	BASE, PLUNGER GUIDE	1/1
5	0025501	SPACER, FORM PLUNGER-3/32"	2
6	0025504	SPACER, FORM PLUNGER-1/2"	2
7	0068200	BAR, SPACER	2
8	0012201R/L	PLATE, MANDREL SUPPORT	1/1
9	0068800	BAR, FRONT SPLIT HORIZONTAL	2
10	0012801	CLAMP	2
11	0012601	BAR, MAIN SUPPORT	2
12	0029103	SPACER, MINI TREE	2
13	00291XX	SPACER, MATT GUIDE	2
14	0021500	PLATE, BASE CLAMP	2
15	0019603	STUD, CLAMP SUPPORT	2
16	0068600	SPACER, REAR STACKUP-2 1/32"	4
17	0068700	BAR, REAR SPLIT HORIZONTAL	2
100	8002900	1/4-20 SCKT FLT HD SCR X 1 1/4	8
101	8005400	3/8-16 SCKT FLT HD SCR X 1	12
102	8008400	5/16-18 HEX HD CAP SCR X 1 1/4	2
103	8036700	5/16 STD LOCK WASHER	6
104	8010000	3/8-16 HEX HD CAP SCR X 1	8
105	8036800	3/8 STD LOCK WASHER	22
106	8010600	3/8-16 HEX HD CAP SCR X 2 1/2	14
107	8008900	5/16-18 HEX HD CAP SCR X 2 1/2	4
108	8024600	7/16-14 STD HEX NUT	10
109	8036900	7/16 STD LOCK WASHER	12
110	8012400	7/16-14 HEX HD CAP SCR X 2 3/4	8
111	8013000	7/16-14 HEX HD CAP SCR X 4 1/2	4
112	8012300	7/16-14 HEX HD CAP SCR X 2 1/2	4
113	8005800	3/8-16 SCKT FLT HD SCR X 2	8



Bliss Box Former



**SINGLE WALL PANELS
MANDREL SUPPORT PLATE
3" INTERNAL FLANGE
DRAWING 1 OF 2**

Option Parts & Illustrations



Bliss Box Former

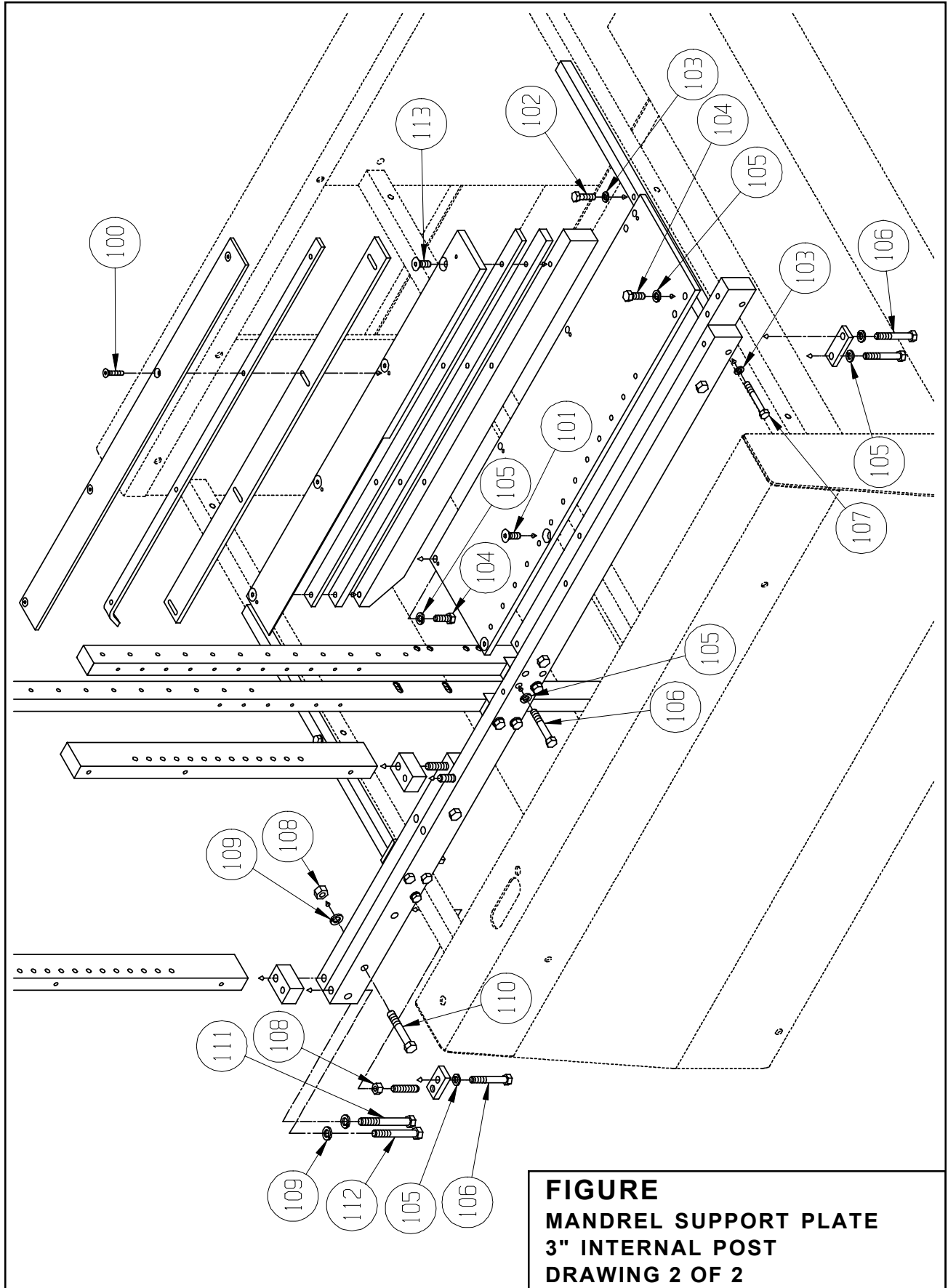


FIGURE
MANDREL SUPPORT PLATE
3" INTERNAL POST
DRAWING 2 OF 2

Option Parts & Illustrations



Bliss Box Former

THIS PAGE IS BLANK

Option Parts & Illustrations



Bliss Box Former

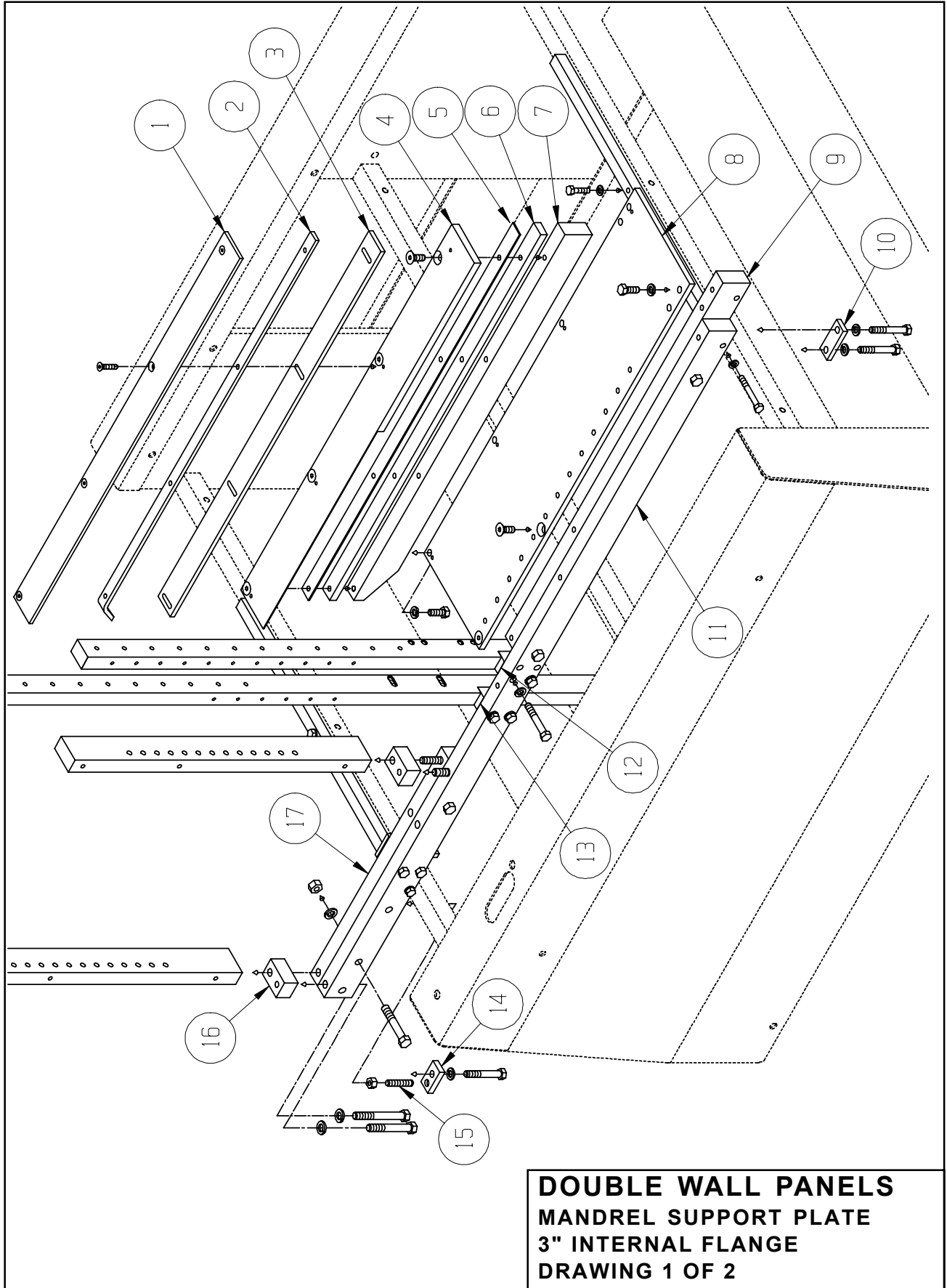
DOUBLE WALL PANELS MANDREL SUPPORT PLATE 3" INTERNAL FLANGE

ITEM	PART NO.	DESCRIPTION	QTY.
1	0012400R/L	STRIP, MANDREL CAP	1/1
2	0031201R/L	SHIM, GUIDE CAP	1/1
3	0012300	RAIL, MANDREL GUIDE	2
4	0025300R/L	BASE, PLUNGER GUIDE	1/1
5	0025507	SPACER, FORM PLUNGER-5/16"	2
6	0025504	SPACER, FORM PLUNGER-1/2"	2
7	0068200	BAR, SPACER	2
8	0012201R/L	PLATE, MANDREL SUPPORT	1/1
9	0068800	BAR, FRONT SPLIT HORIZONTAL	2
10	0012801	CLAMP	2
11	0012601	BAR, MAIN SUPPORT	2
12	0029103	SPACER, MINI TREE	2
13	00291XX	SPACER, MATT GUIDE	2
14	0021500	PLATE, BASE CLAMP	2
15	0019603	STUD, CLAMP SUPPORT	2
16	0068600	SPACER, REAR STACKUP-2 1/8"	4
17	0068700	BAR, REAR SPLIT HORIZONTAL	2
100	8002900	1/4-20 SCKT FLT HD SCR X 1 1/4	8
101	8005400	3/8-16 SCKT FLT HD SCR X 1	12
102	8008400	5/16-18 HEX HD CAP SCR X 1 1/4	2
103	8036700	5/16 STD LOCK WASHER	6
104	8010000	3/8-16 HEX HD CAP SCR X 1	8
105	8036800	3/8 STD LOCK WASHER	22
106	8010600	3/8-16 HEX HD CAP SCR X 2 1/2	14
107	8008900	5/16-18 HEX HD CAP SCR X 2 1/2	4
108	8024600	7/16-14 STD HEX NUT	10
109	8036900	7/16 STD LOCK WASHER	12
110	8012400	7/16-14 HEX HD CAP SCR X 2 3/4	8
111	8013000	7/16-14 HEX HD CAP SCR X 4 1/2	4
112	8012300	7/16-14 HEX HD CAP SCR X 2 1/2	4
113	8005800	3/8-16 SCKT FLT HD SCR X 2	8

Option Parts & Illustrations



Bliss Box Former



Option Parts & Illustrations



Bliss Box Former

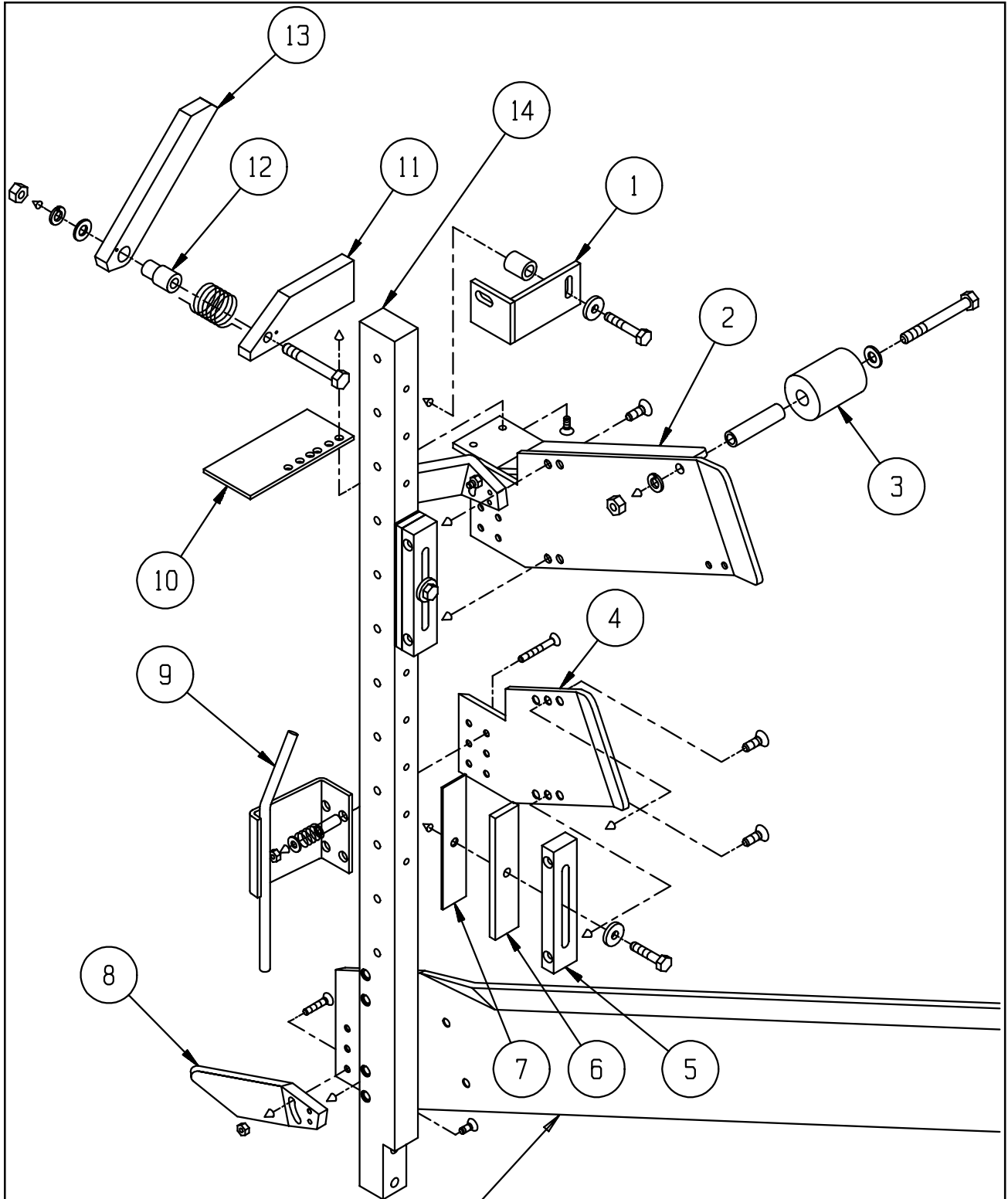
FIGURE MINI TREE-3" INTERNAL FLANGE

ITEM	PART NO.	DESCRIPTION	QTY.
1	0069300R/L	BRACKET, MINI TREE	1/1
2	0013401R/L	WELDMENT, BOX END GUIDE	1/1
3	0022401	ROLLER, END HOPPER	2
4	0013404R/L	GUIDE, BOX END	1/1
5	0034200	BAR, HEAD GUIDE MOUNTING	4
6	0029300	SHIM, 1/4"	4
7	0022900	SHIM, 16 GAGE	4
8	9176200R/L	PLOW	2/2
9	0070600R/L	DEFLECTOR BRACKET	1/1
10	0042902	PLATE, BLANK DEFLECTOR BASE	2
11	0025903	DEFLECTOR, MATT	2
12	0042800	AXLE, BLANK DEFLECTOR	2
13	0042700	DEFLECTOR, BLANK GUIDE	2
14	0068000	POST, MINI TREE	2
100	0206400	BUSHING	2
101	1501500	WASHER	6
102	8007200	1/4-20NC HEX HD CAP SCR X 1 1/2	2
103	8002700	1/4-20NC SCKT FLT HD SCR X 3/4	8
104	8009000	5/16-18NC HEX HD CAP SCR X 2 3/4	2
105	8035800	5/16 SAE FLT WASHER	2
106	0204300	BUSHING	2
107	8036700	5/16 STD LOCK WASHER	2
108	8024400	5/16 STD HEX NUT	2
109	8004300	#10-32 SCKT FLT HD SCR X 1 1/2	8
110	8007200	1/4-20NC HEX HD CAP SCR X 1 1/4	4
111	0205400	BUSHING	8
112	1200200	SPRING	8
113	8025300	#10-32 FIBER LOCK NUT	16
114	8035600	#10 SAE FLT WASHER	8
115	8003900	#10-32 SCKT FLT HD SCR X 1/2	12
116	8004200	#10-32 SCKT FLT HD SCR X 1	4
117	1200100R/L	SPRING	1/1

Option Parts & Illustrations



Bliss Box Former



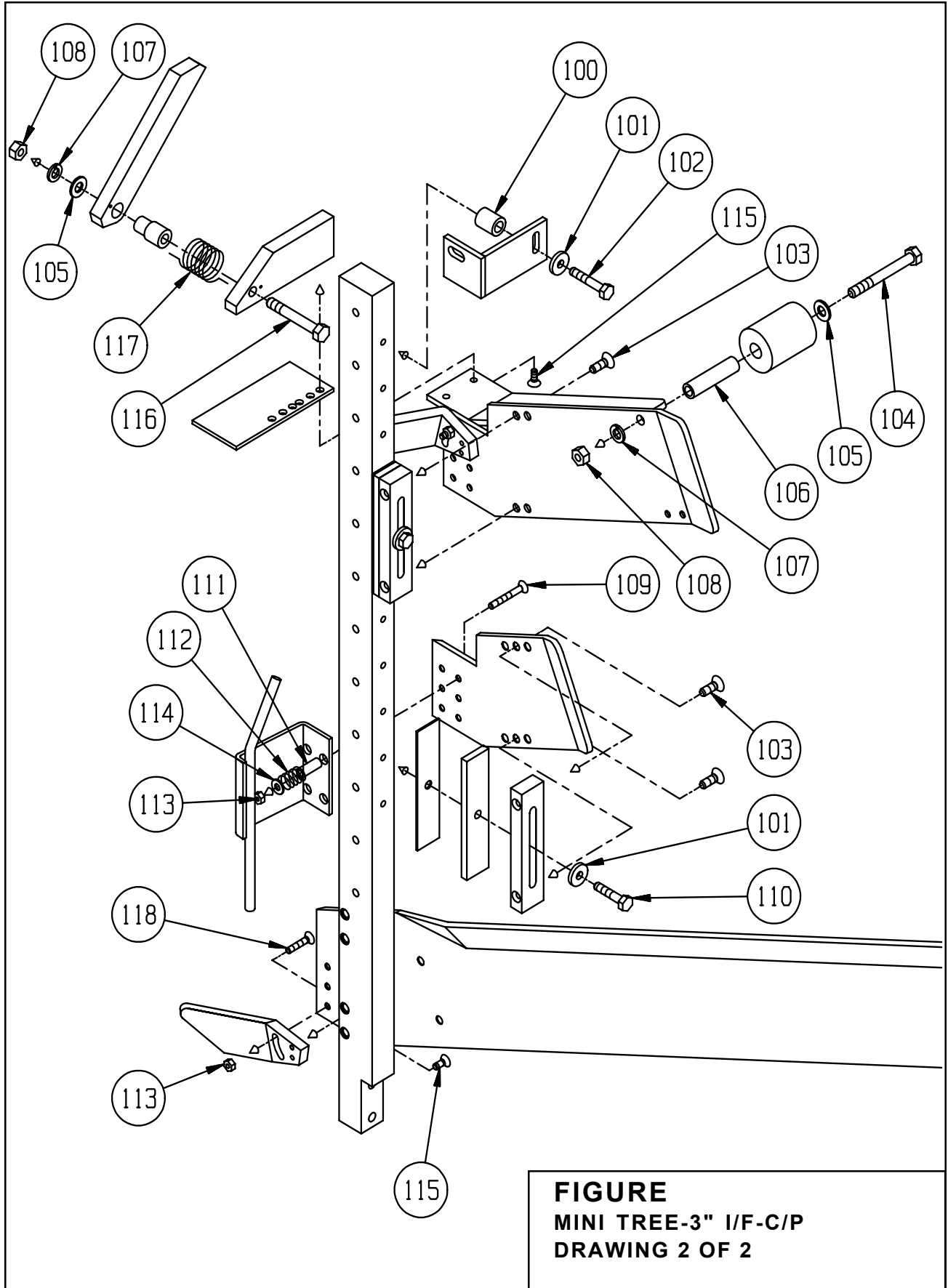
0013102 (REF)

FIGURE
MINI TREE-3" INTERNAL FLANGE
DRAWING 1 OF 2

Option Parts & Illustrations



Bliss Box Former



Option Parts & Illustrations



Bliss Box Former

THIS PAGE IS BLANK

Option Parts & Illustrations



Bliss Box Former

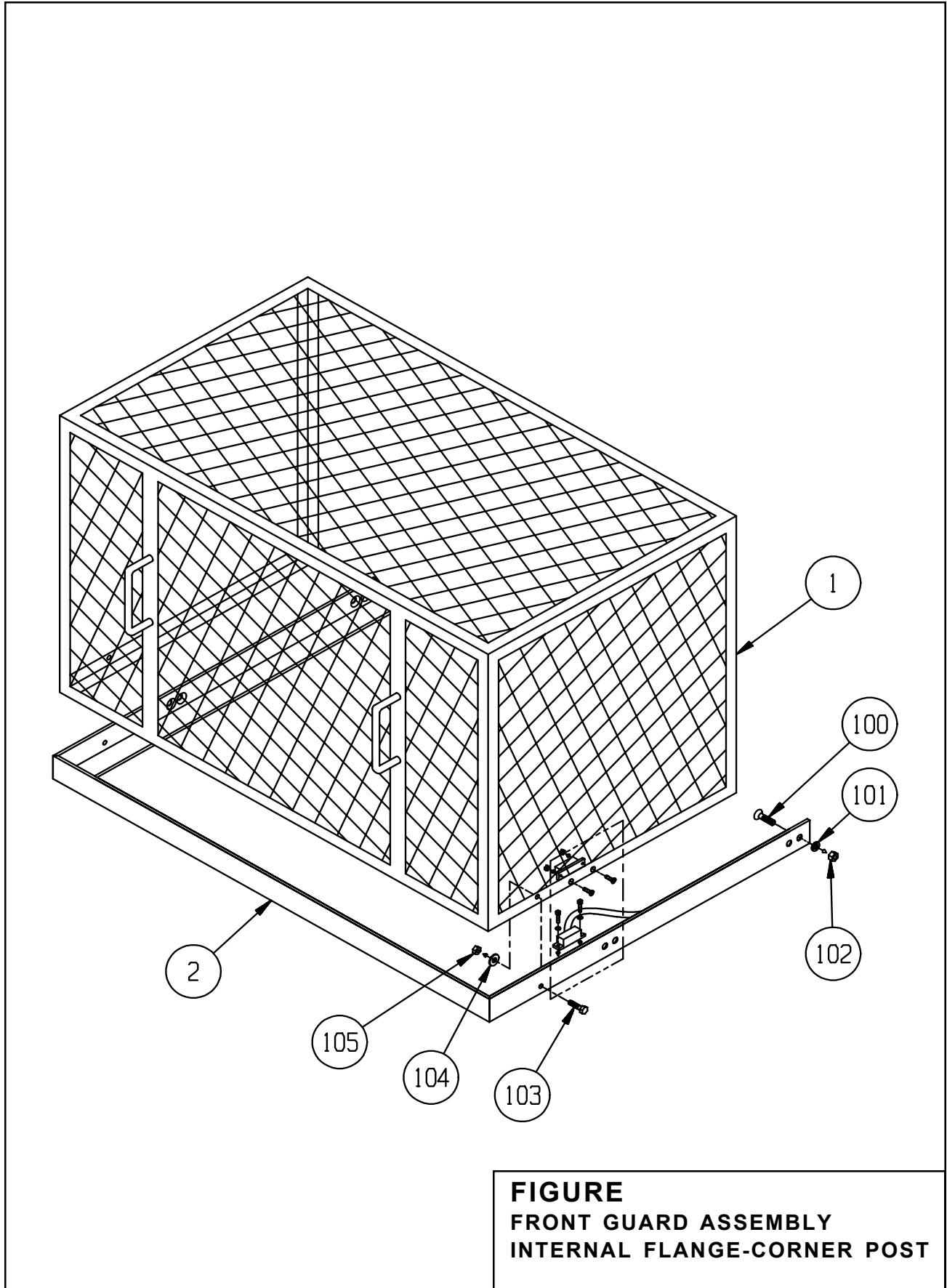
FIGURE FRONT GUARD ASSEMBLY INTERNAL FLANGE-CORNER POST

ITEM	PART NO.	DESCRIPTION	QTY.
1	0069500	FRONT GUARD	1
2	0069400	GUARD BASE	1
100	8006400	7/16-14 SCKT FLT HD SCR X 1 1/2	2
101	8036000	7/16 SAE FLT WASHER	2
102	8024600	7/16-14 STD HEX NUT	2
103	8008400	5/16-18NC HEX HD CAP SCR X 1 1/4	2
104	8035800	5/16 SAE FLT WASHER	2
105	8024400	5/16-18NC STD HEX NUT	2
106	8030600	#10-32NF SCKT HD CAP SCR X 3/4	2
107	8036500	#10 STD LOCK WASHER	2
108	0401600	INTERLOCK SWITCH	1
109	0401600	ACUATOR MAGNET	1
110	8004100	#10-32NF SCKT FLT HD SCR X 3/4	2
111	8025300	#10-32NF FIBER LOCK NUT	2

Option Parts & Illustrations



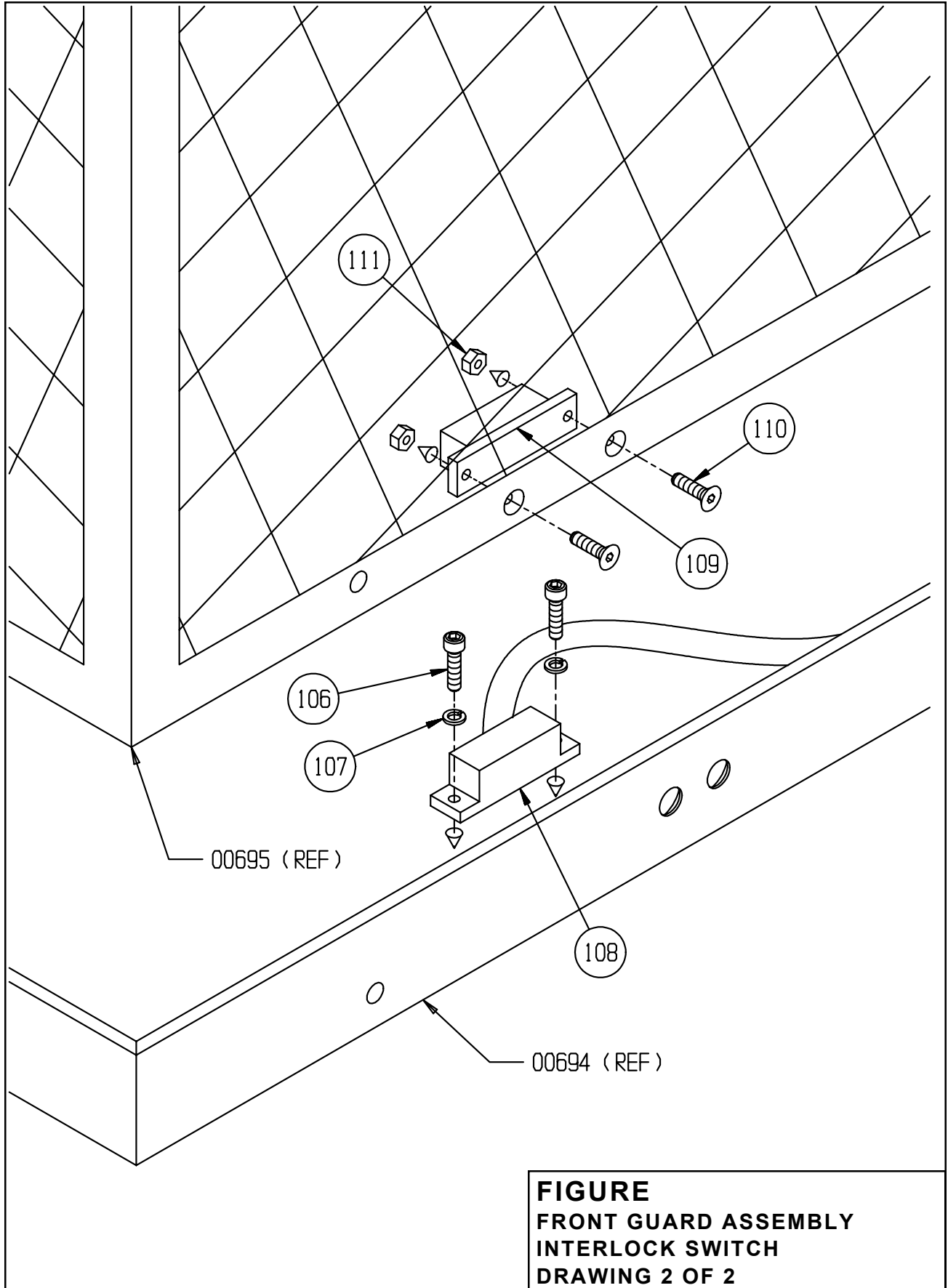
Bliss Box Former



Option Parts & Illustrations



Bliss Box Former



Option Parts & Illustrations