



## Option Parts & Illustrations

### INTRODUCTION

This section lists and illustrates the replaceable assemblies and parts of the Bliss Box Former as manufactured by W. E. Plemons Machinery Services, Inc. Each parts list contains the component parts for that assembly.

### *Index*

#### *FIGURE / DESCRIPTION*

---

##### **SINGLE WALL PANELS**

MANDREL SUPPORT PLATE  
5" INTERNAL FLANGE

##### **DOUBLE WALL PANELS**

MANDREL SUPPORT PLATE  
5" INTERNAL FLANGE

##### **FIGURE**

MINI TREE-5" INTERNAL FLANGE  
DRAWING 1 OF 2

##### **FIGURE**

MINI TREE-5" INTERNAL FLANGE  
DRAWING 2 OF 2

##### **FIGURE**

FEED POST ARM ASSEMBLY  
5" INTERNAL FLANGE

##### **FIGURE**

FRONT GUARD ASSEMBLY  
5" INTERNAL FLANGE  
DRAWING 1 OF 2

##### **FIGURE**

FRONT GUARD ASSEMBLY  
INTERLOCK SWITCH  
DRAWING 2 OF 2

### *Illustrated Parts*

See Next Page



# Bliss Box Former

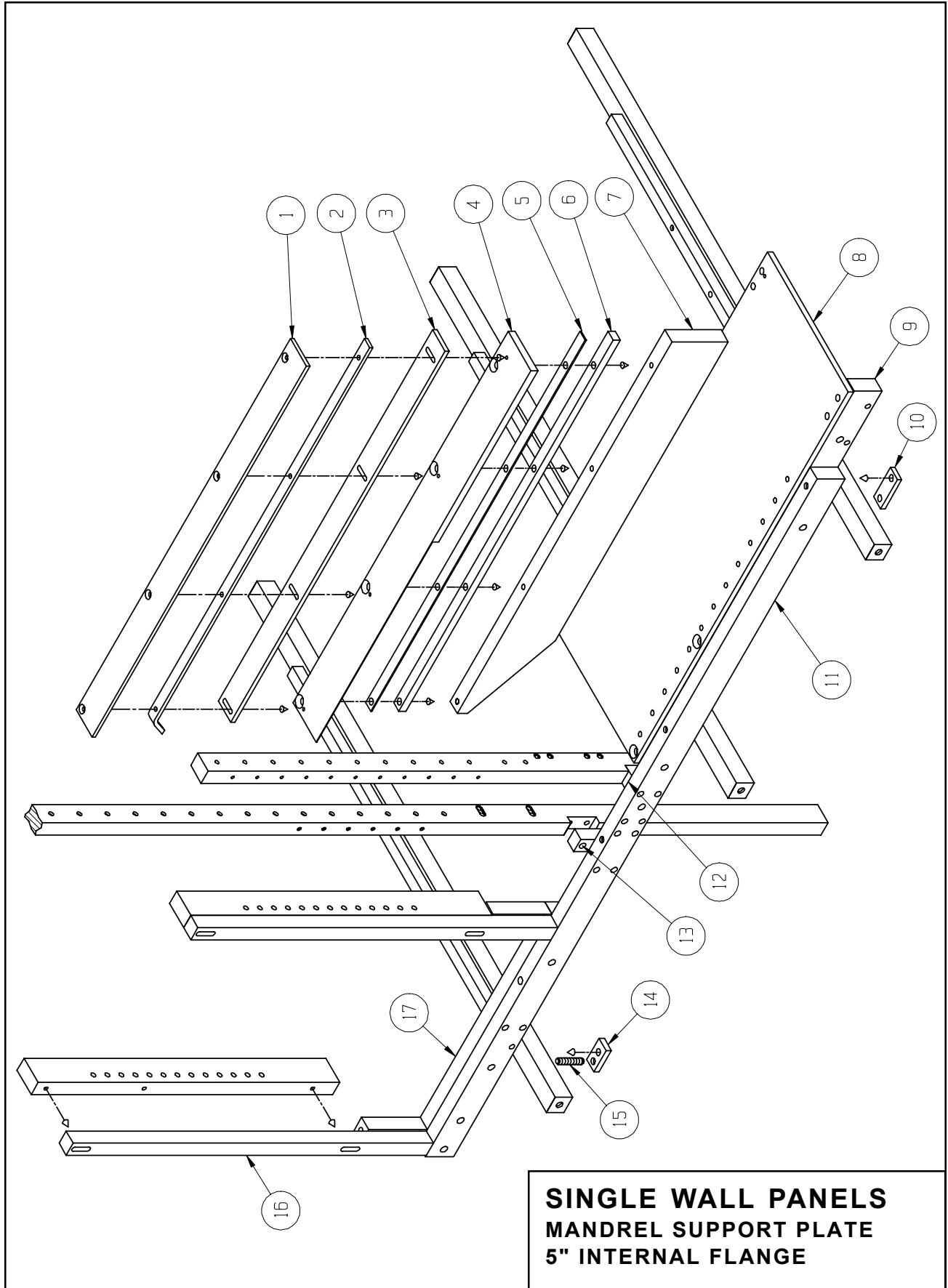
## SINGLE WALL PANELS MANDREL SUPPORT PLATE 5" INTERNAL FLANGE

ITEM	PART NO.	DESCRIPTION	QTY.
1	0012400R/L	STRIP, MANDREL CAP	1/1
2	0031201R/L	SHIM, GUIDE CAP	1/1
3	0012300	RAIL, MANDREL GUIDE	2
4	0025300R/L	BASE, PLUNGER GUIDE	1/1
5	0025501	SPACER, FORM PLUNGER-3/32"	2
6	0025504	SPACER, FORM PLUNGER-1/2"	2
7	0068201	BAR, SPACER	2
8	0012202L/R	PLATE, MANDREL SUPPORT-10"	1/1
9	0068800	BAR, FRONT SPLIT HORIZONTAL	2
10	0012801	CLAMP	2
11	0012601	BAR, MAIN SUPPORT	2
12	0029103	SPACER, MINI TREE	2
13	00291XX	SPACER, MATT GUIDE	A/N
14	0021500	PLATE, BASE CLAMP	2
15	0019603	STUD, CLAMP SUPPORT	2
16	0050803	UPRIGHT, SUPPORT-4 1/32"	4
17	0068700	BAR, REAR SPLIT HORIZONTAL	2

*Option Parts & Illustrations*



# Bliss Box Former



*Option Parts & Illustrations*



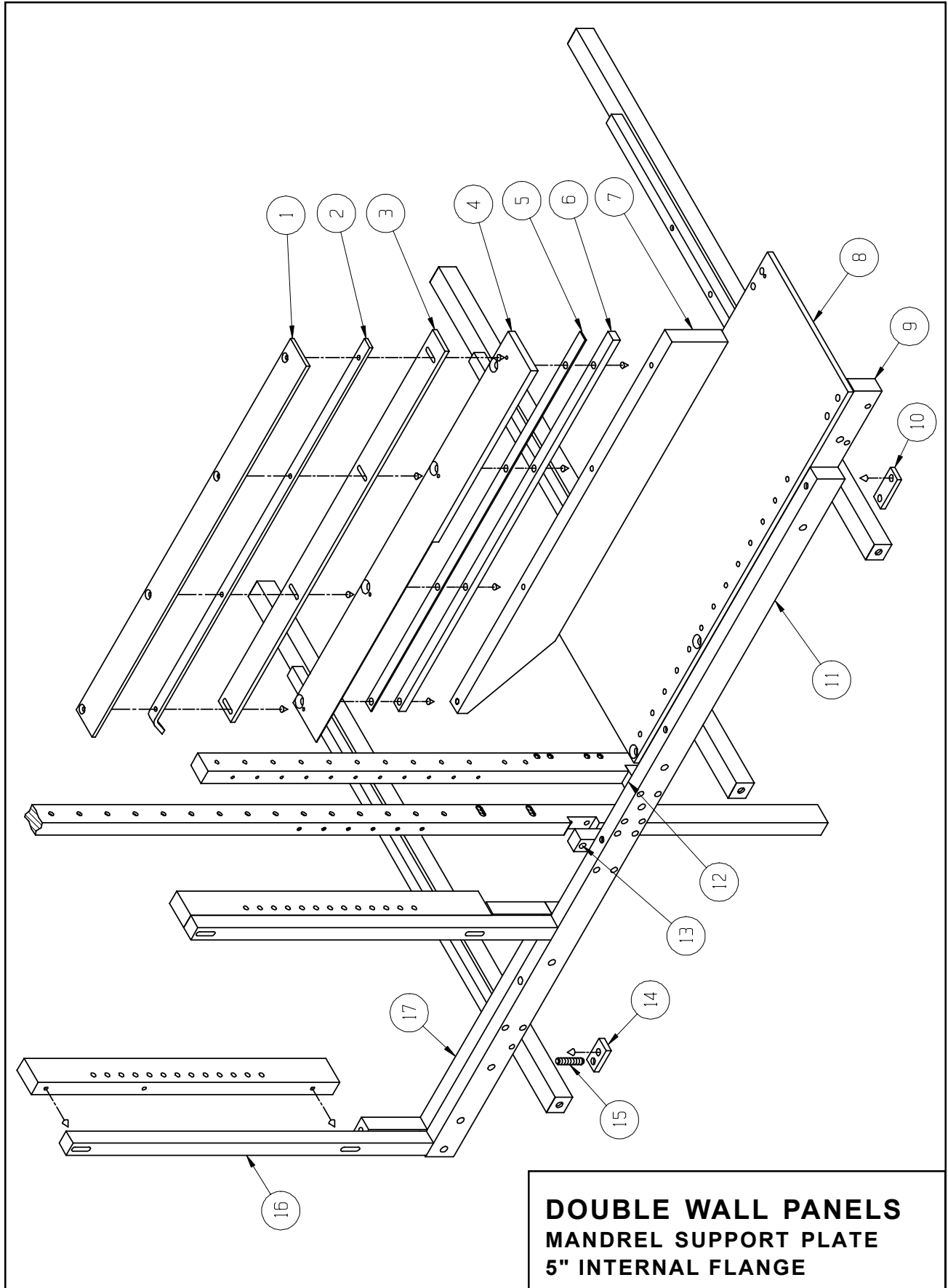
# Bliss Box Former

## DOUBLE WALL PANELS MANDREL SUPPORT PLATE 5" INTERNAL FLANGE

ITEM	PART NO.	DESCRIPTION	QTY.
1	0012400R/L	STRIP, MANDREL CAP	1/1
2	0031201R/L	SHIM, GUIDE CAP	1/1
3	0012300	RAIL, MANDREL GUIDE	2
4	0025300R/L	BASE, PLUNGER GUIDE	1/1
5	0025507	SPACER, FORM PLUNGER-5/16"	2
6	0025504	SPACER, FORM PLUNGER-1/2"	2
7	0068201	BAR, SPACER	2
8	0012202L/R	PLATE, MANDREL SUPPORT-10"	1/1
9	0068800	BAR, FRONT SPLIT HORIZONTAL	2
10	0012801	CLAMP	2
11	0012601	BAR, MAIN SUPPORT	2
12	0029103	SPACER, MINI TREE	2
13	00291XX	SPACER, MATT GUIDE	A/N
14	0021500	PLATE, BASE CLAMP	2
15	0019603	STUD, CLAMP SUPPORT	2
16	0050803	UPRIGHT, SUPPORT-4 1/8"	4
17	0068700	BAR, REAR SPLIT HORIZONTAL	2



# Bliss Box Former



*Option Parts & Illustrations*



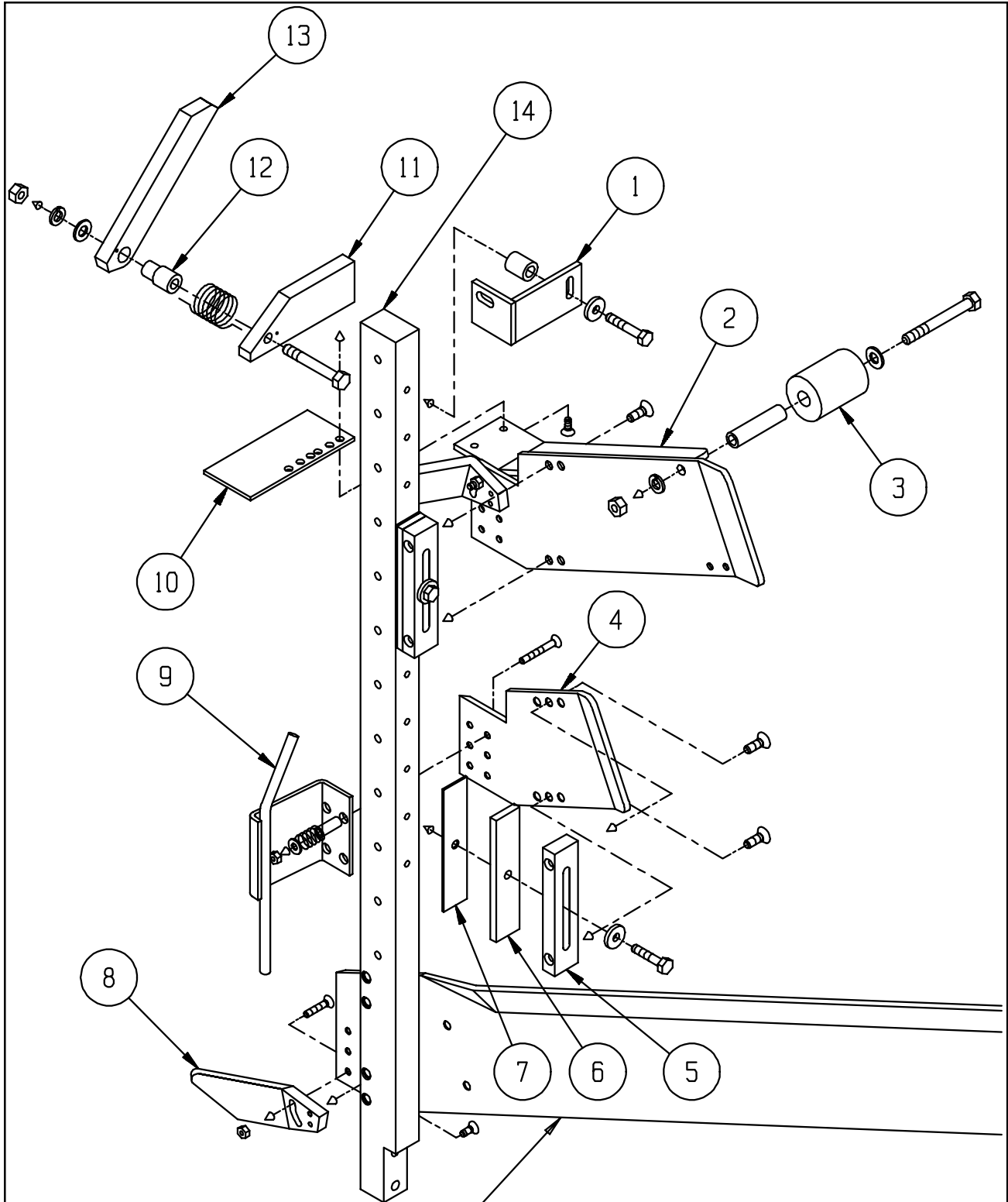
# Bliss Box Former

**FIGURE**  
**MINI TREE-5" INTERNAL FLANGE**

ITEM	PART NO.	DESCRIPTION	QTY.
1	0069301R/L	BRACKET, MINI TREE	1/1
2	0013401R/L	WELDMENT, BOX END GUIDE	1/1
3	0022401	ROLLER, END HOPPER	2
4	0013404R/L	GUIDE, BOX END	1/1
5	0034200	BAR, HEAD GUIDE MOUNTING	4
6	0029300	SHIM, 1/4"	4
7	0022900	SHIM, 16 GAGE	4
8	9062300R/L	PLOW	2/2
9	0070601R/L	DEFLECTOR BRACKET	1/1
10	0042903R/L	PLATE, BLANK DEFLECTOR BASE	1/1
11	0025904	DEFLECTOR, MATT	2
12	0042800	AXLE, BLANK DEFLECTOR	2
13	0042700	DEFLECTOR, BLANK GUIDE	2
14	0068000	POST, MINI TREE	2
100	0206400	BUSHING	2
101	1501500	WASHER	6
102	8007200	1/4-20NC HEX HD CAP SCR X 1 1/2	2
103	8002700	1/4-20 SCKT FLT HD SCR X 3/4	8
104	8009000	5/16-18 HEX HD CAP SCR X 2 3/4	2
105	8035800	5/16 SAE FLT WASHER	2
106	0204300	BUSHING	2
107	8036700	5/16 STD LOCK WASHER	2
108	8024400	5/16 STD HEX NUT	2
109	8003000	#10-32 SCKT FLT HD SCR X 1 1/2	8
110	8007100	1/4-20 HEX HD CAP SCR X 1 1/4	4
111	0205400	BUSHING	8
112	1200200	SPRING	8
113	8025300	#10-32 FIBER LOCK NUT	16
114	8035600	#10 SAE FLT WASHER	8
115	8002600	#10-32 SCKT FLT HD SCR X 1/2	12
116	8002800	#10-32 SCKT FLT HD SCR X 1	4
117	1200100R/L	SPRING	1/1



# Bliss Box Former



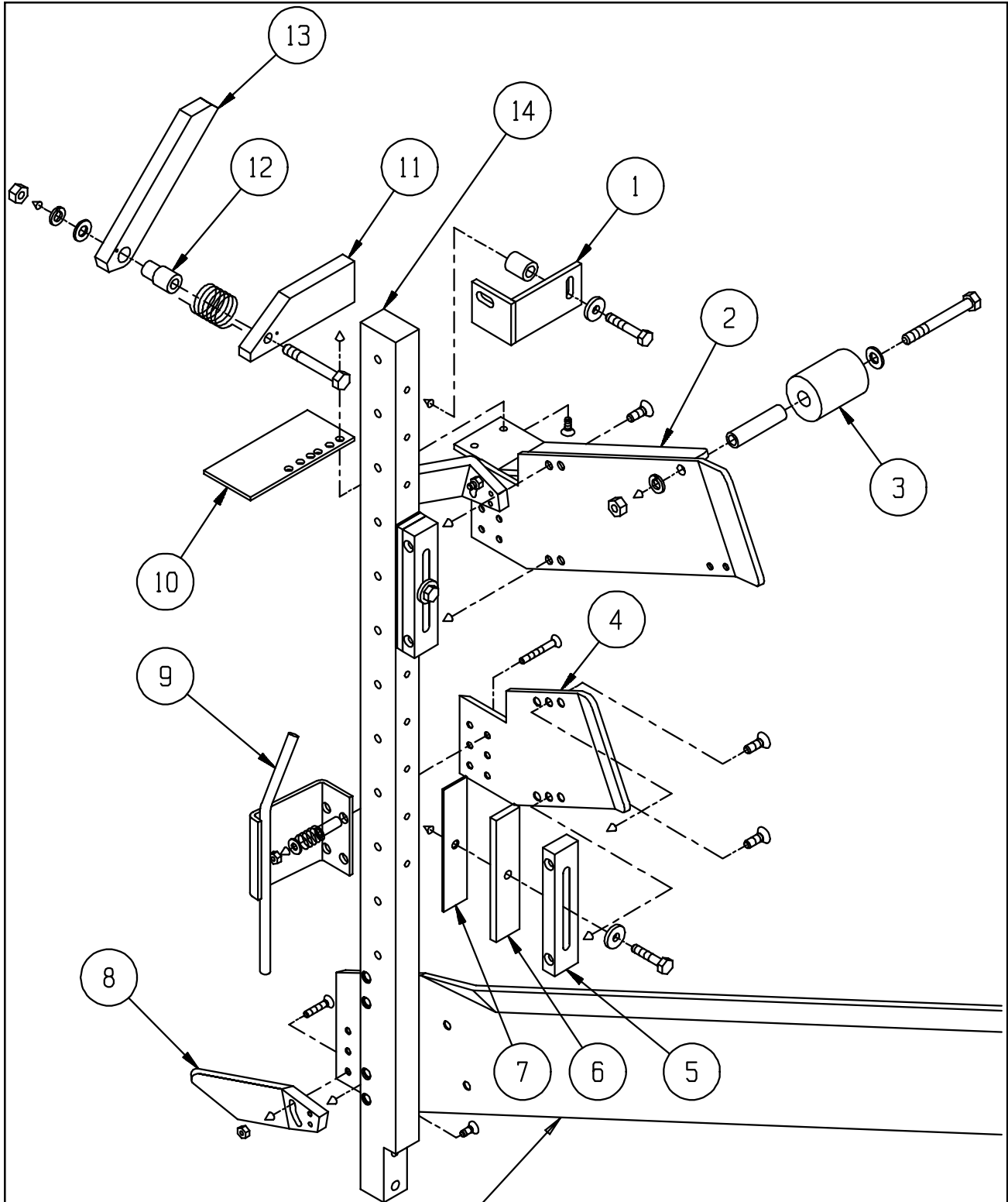
0013102 (REF)

**FIGURE**  
MINI TREE-5" INTERNAL FLANGE  
DRAWING 1 OF 2

*Option Parts & Illustrations*



# Bliss Box Former



0013102 (REF)

**FIGURE**  
MINI TREE-5" INTERNAL FLANGE  
DRAWING 1 OF 2

*Option Parts & Illustrations*





# Bliss Box Former

---

**THIS PAGE IS BLANK**

*Option Parts & Illustrations*



# Bliss Box Former

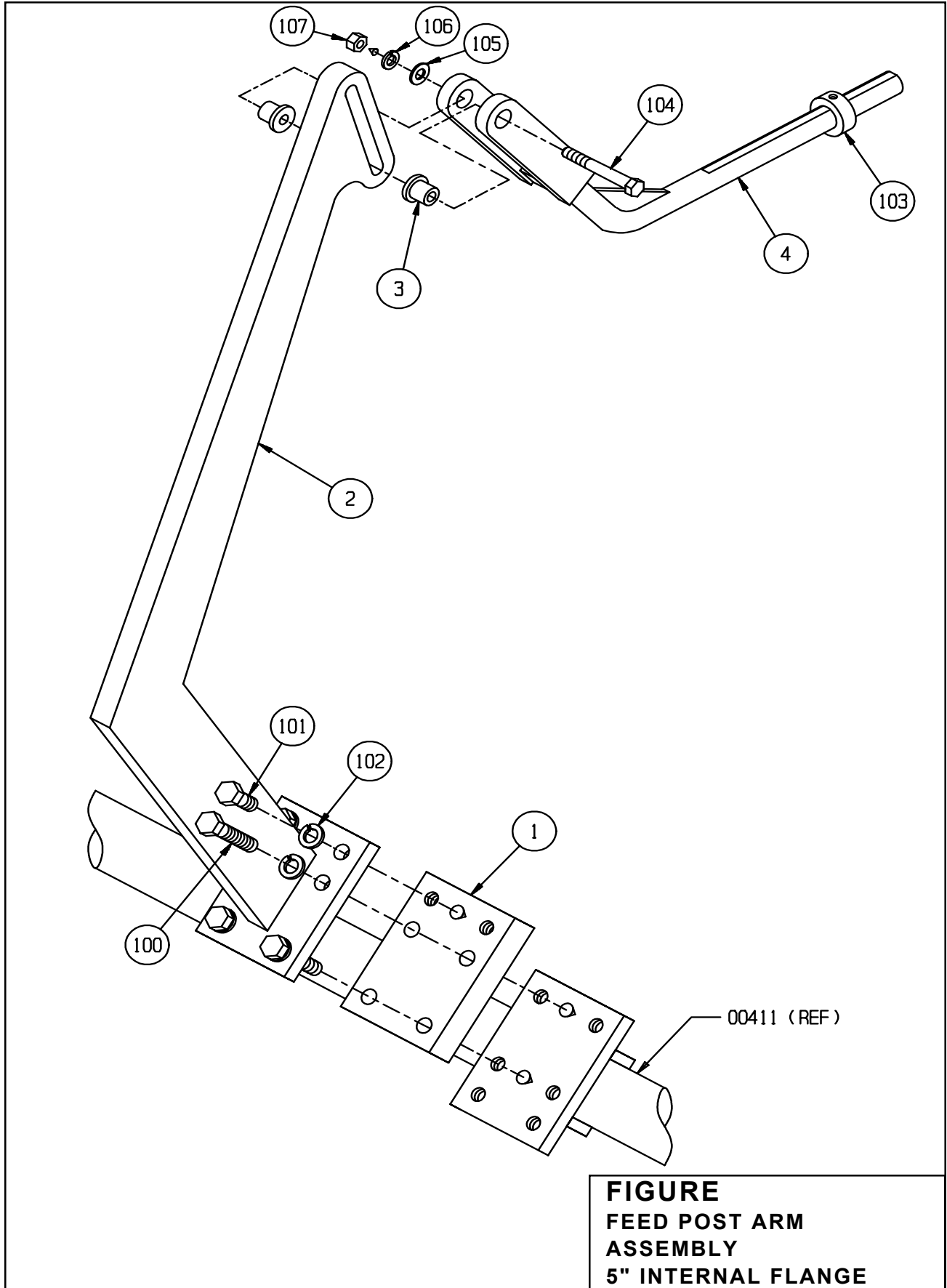
## FIGURE FEED POST ARM ASSEMBLY 5" INTERNAL FLANGE

ITEM	PART NO.	DESCRIPTION	QTY.
1	0072000	PLATE, FEED POST	1
2	0044300	FEED POST ARM	1
3	0205900	BUSHING, TUBE YOKE	2
4	0040000	ROD, FORM PLUNGER	1
100	8014600	1/2-13 HEX HD SCR X 2 1/2	4
101	8014100	1/2-13 HEX HD SCR X 1 1/4	2
102	8037000	1/2 STD LOCK WASHER	6
103	0100600	SET COLLAR, 7/8"	1
104	8010800	3/8-16 HEX HD CAP SCR X 3	1
105	8035900	3/8 SAE FLT WASHER	1
106	8036800	3/8 STD LOCK WASHER	1
107	8024500	3/8-16 HEX NUT	1

*Option Parts & Illustrations*



# Bliss Box Former



*Option Parts & Illustrations*



# Bliss Box Former

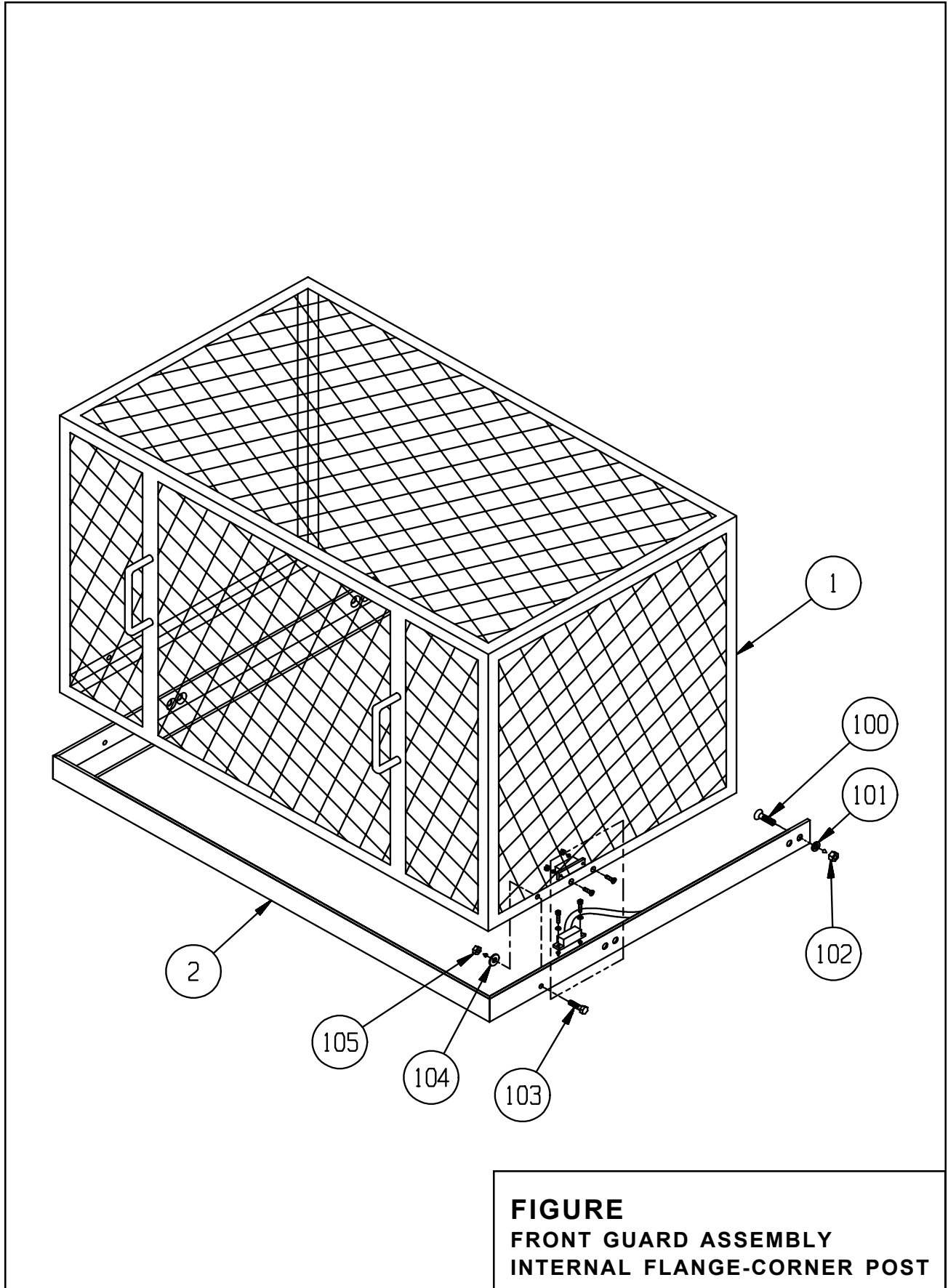
## FIGURE FRONT GUARD ASSEMBLY INTERNAL FLANGE-CORNER POST

ITEM	PART NO.	DESCRIPTION	QTY.
1	0069501	FRONT GUARD	1
2	0069402	GUARD BASE	1
100	8006400	7/16-14 SCKT FLT HD SCR X 1 1/2	2
101	8036000	7/16 SAE FLT WASHER	2
102	8024600	7/16-14 STD HEX NUT	2
103	8008400	5/16-18NC HEX HD CAP SCR X 1 1/4	2
104	8035800	5/16 SAE FLT WASHER	2
105	8024400	5/16-18NC STD HEX NUT	2
106	8030600	#10-32NF SCKT HD CAP SCR X 3/4	2
107	8036500	#10 STD LOCK WASHER	2
108	0401600	INTERLOCK SWITCH	1
109	0401600	ACUATOR MAGNET	1
110	8004100	#10-32NF SCKT FLT HD SCR X 3/4	2
111	8025300	#10-32NF FIBER LOCK NUT	2

*Option Parts & Illustrations*



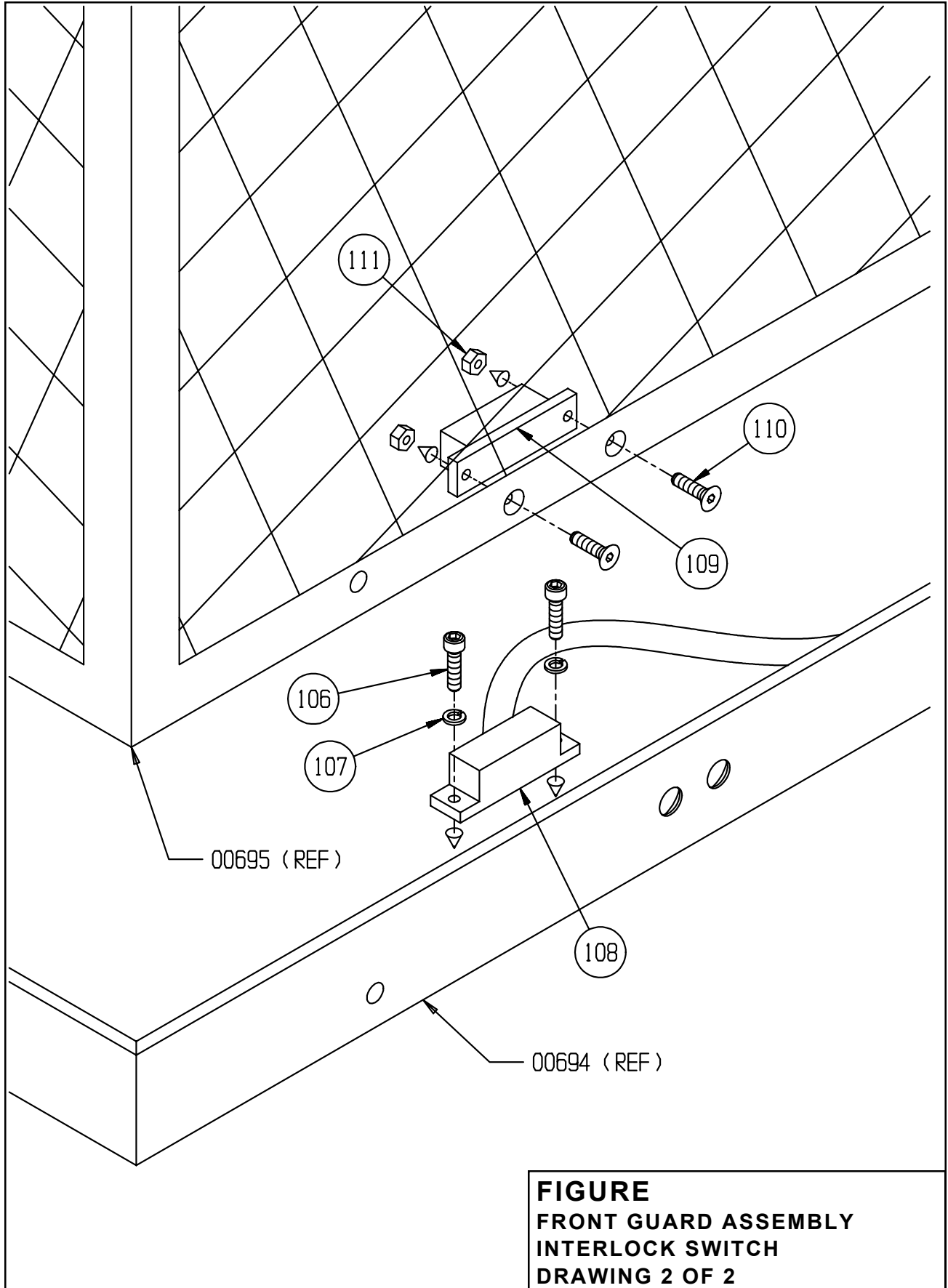
# Bliss Box Former



*Option Parts & Illustrations*



# Bliss Box Former



*Option Parts & Illustrations*