



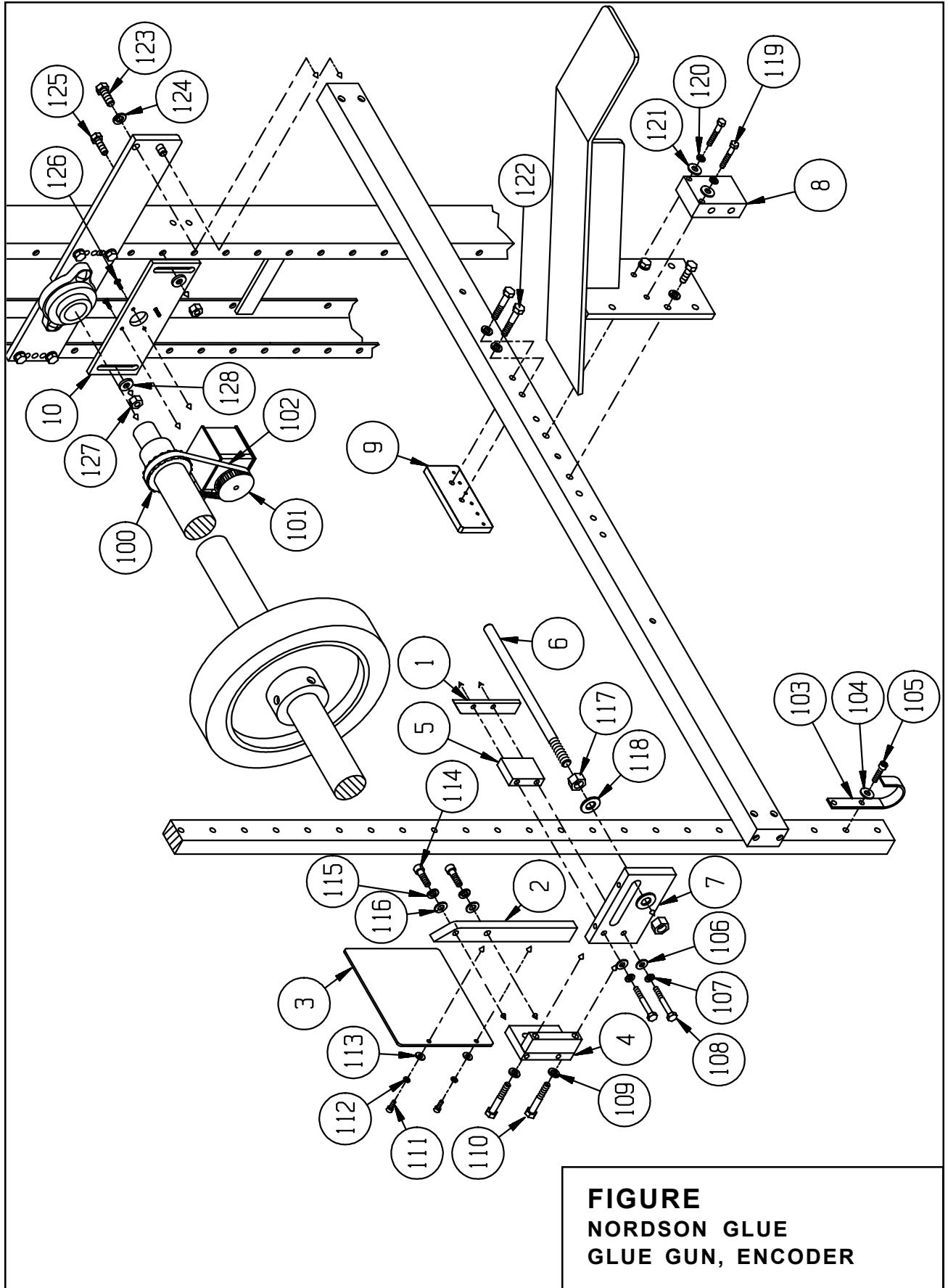
Tray Box Former

FIGURE NORDSON GLUE GLUE GUNS, ENCODER

ITEM	PART NO.	DESCRIPTION	QTY.
1	0075800	BAR-SMALL DEFLECTOR	2
2	0076000	BAR-LARGE DEFLECTOR	2
3	0075600	PLATE-SHIELD	2
4	0019701	MOUNT-MELT POT	1L/1R
5	0075700	BLOCK-SPACER	2
6	0075900	SHAFT-ADHESIVE HD ADJ	2
7	0075500	BLOCK-MOUNTING	2
8	0051700	BLOCK-MANIFOLD 4 PORT	1
9	0052601	MOUNT-PHOTO EYE PLATE	1
10	0077600	PLATE-DECODER MOUNT	1
100	0052000	DRIVE PULLEY	1
101	0052100	PULLEY-ENCODER	1
102	0051900	NORDSON BELT	1
103	0076500	HANGER GLUE HOSE	2
104	8035800	5/16 FLAT WASHER	2
105	8008200	5/16-18 HEX HD CAP X 3/4	2
106	8035700	1/4 SAE FLAT	4
107	8036600	1/4 STD LOCK	4
108	8007600	1/4-20 HEX HD CAP X 2 1/2	4
109	8036700	5/16 STD LOCK	4
110	8008700	5/16-18 HEX HD CAP X 2	4
111	8029400	#10-24 SCK HD CAP X 1/2	4
112	8036500	#10 STD LOCK	4
113	8035600	#10 SAE FLAT	4
114	8032700	5/16-18 SCK HD CAP X 1	4
115	8036700	5/16 STD LOCK	10
116	8035800	5/16 SAE FLAT	4
117	8024700	1/2-13 STD HEX	4
118	8036100	1/2 SAE FLAT	4
119	8007300	1/4-20 HEX HD CAP X 1 3/4	2
120	8035700	1/4 STD LOCK	2
121	8035700	1/4 SAE FLAT	2
122	8004800	5/16-18 FLAT HD SCK X 1	2
123	8010000	3/8-16 HEX HD CAP SCR X 1	4
124	8036800	3/8 STD LOCK	4
125	8008300	5/16-18 HEX HD CAP SCR X 1	10
126	8015500	#6-32 RD SLT SCR X 1/2	4
127	8024400	5/16-18 STD HEX NUT	2
128	1501100	WASHER	2



Tray Box Former



Option Parts & Illustrations



Tray Box Former

FIGURE NORDSON GLUE HEAD & ACCESSORIES

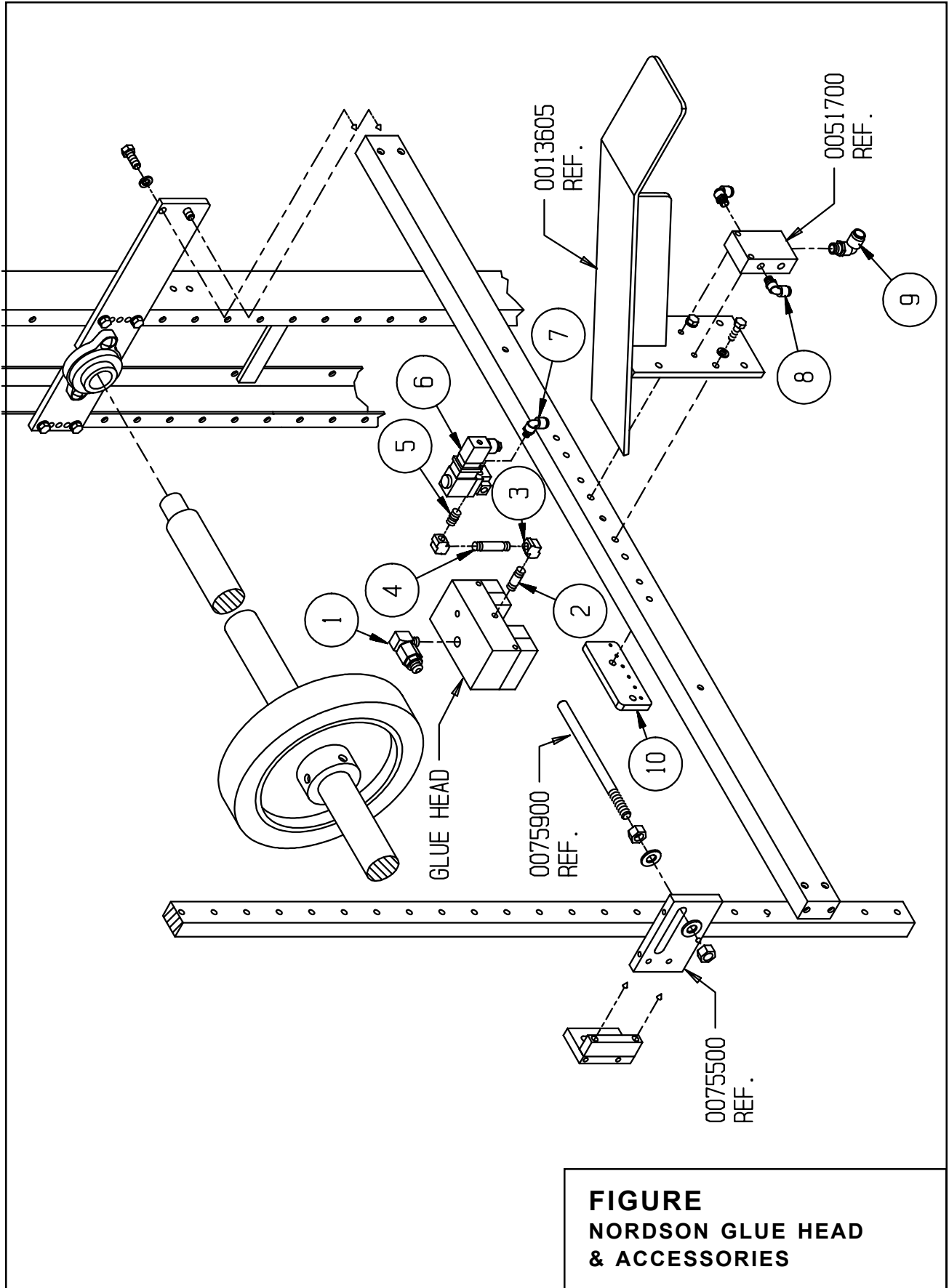
ITEM	PART NO.	DESCRIPTION	QTY.
1	1811300	FILTER, IN LINE 90°	2
2	1813200	1 1/4 PIPE NIPPLE	2
3	1813000	1/8" 90° ELBOW	4
4	1813100	2" PIPE NIPPLE	2
5	1813300	3/4" PIPE NIPPLE	2
6	1810800	VALVE, SOLENOID	2
7	1808900	ELBOW (1/8 NPT)	2
8	1804001	ELBOW (1/4 NPT)	2
9	1804000	ELBOW (1/4 NPT)	1
*	1811100	HOSE 2300 AUT, 230V	1
*	1811200	HOSE 2300 AUT, 230V	1
*	1811400	CONN, ASSY., 90°	2
*	1810200	NOZZLE, BOTTON .016 DIA.	4
*	2004000	NORDSON MTG HARDWARE	1

* Not Shown

Option Parts & Illustrations



Tray Box Former



Option Parts & Illustrations



Tray Box Former

FIGURE NORDSON BASIC CART/PANELS

ITEM	PART NO.	DESCRIPTION	QTY.
1	0097900	GLUE CART	1
2	1809300	CASTER	4
3	0080200	MOUNT-CONTROLLER	1
4	1808500	ENCLOSURE-ELECT. BOX	1
5	0206800	BUSHING	2
7	0057100	PRESS. GAGE (0-160)	1
8	0204100	BUSHING	1
101	8036700	5/16 SPLIT LOCK WASHER	16
102	8008200	5/16-18 HEX HD CAP SCR X 3/4	16
108	1813700	3/4 CONNECTOR STRAIGHT	4
109	8006800	1/4-20 HEX HD CAP SCR X 1/2	4
110	8036600	1/4 SPLIT LOCK WASHER	4
111	1515000	WASHER	4
113	1804000	BRASS FITTING 90DEG	1
114	1805701	1/4 NPT CLOSE	1
115	1804100	BRASS FITTING - STRAIGHT	1
116	1808700	1/4 TEE, GALV.	1
117	8035400	#12 PAN HD SCR X 3/8	2
118	0037300	3/8 POLY FLOW TUBING	A/N
119	8009100	5/16-18 X 3.0 HEX HD SCREW	4
120	8025600	5/16 NC FIBER LOCK NUT	4
121	8035800	5/16 FLAT WASHER	4
122	TBLTC075	FLEX CONN. 6"	1
123	TBLTC075	FLEX CONN. 7 1/4"	1
124	8017600	#10-32 X 2 1/4 MACHINE SCREW	2
125	8017000	#10-32 X 3/4 MACHINE SCREW	2
126	8035600	#10 FLAT WASHER	4
127	8025300	#10-32 NC FIBER LOCK NUT	4



Tray Box Former

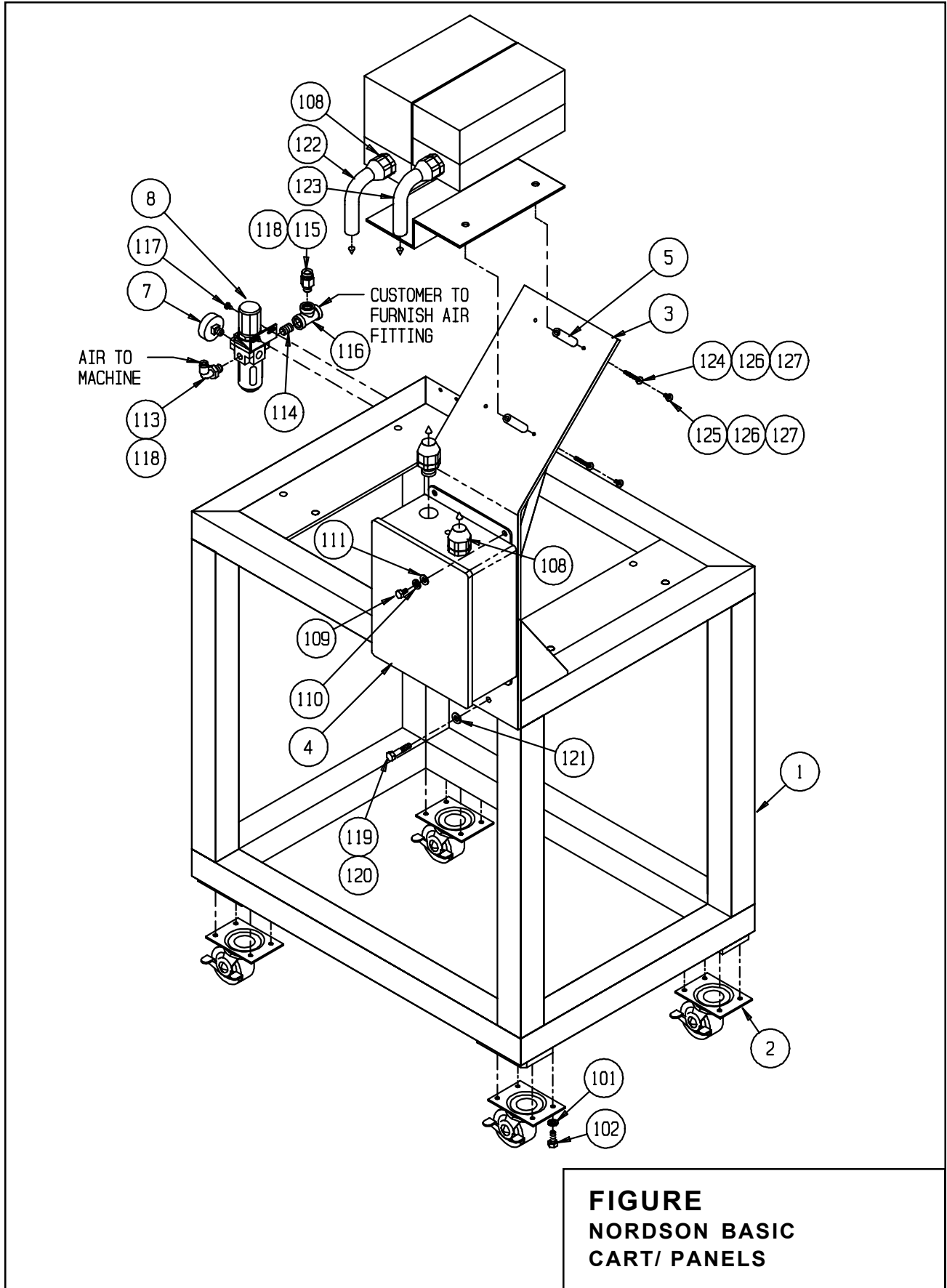


FIGURE
NORDSON BASIC
CART/ PANELS

Option Parts & Illustrations



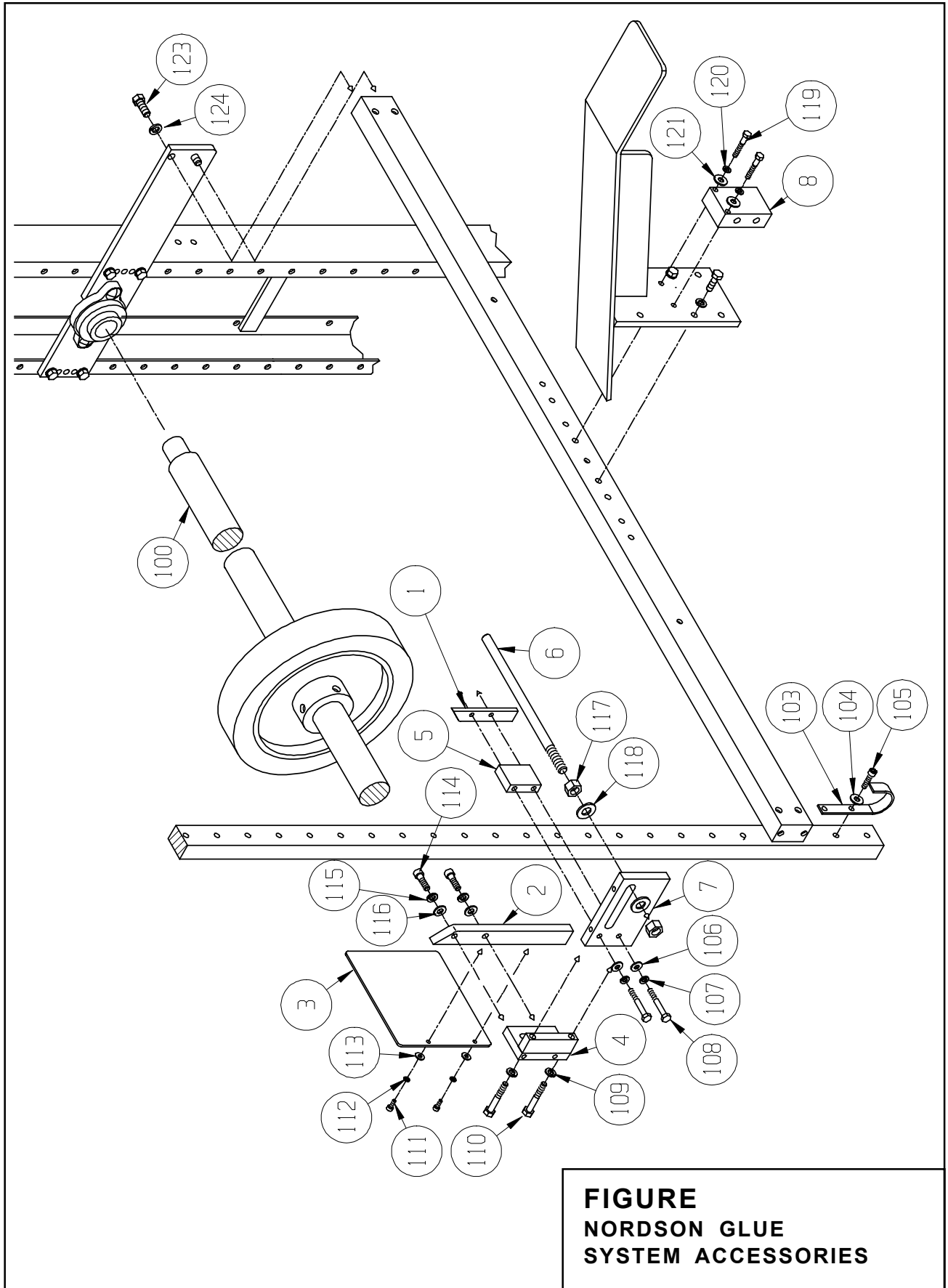
Tray Box Former

FIGURE NORDSON GLHE SYSTEM ACCESSORIES

ITEM	PART NO.	DESCRIPTION	QTY.
1	0075800	BAR, DEFLECTOR	2
2	0076000	BAR, LARGE DEFLECTOR	2
3	0075601	PLATE, SHEILD	2
4	0019701R/L	MOUNT, MELT POT	1/1
5	0075700	BLOCK, SPACER	2
6	0075900	SHAFT, ADHESIVE HEAD ADJ.	2
7	0075500	BLOCK, MOUNTING	2
8	0051700	BLOCK, 4 PORT MANIFOLD	4
100	00152XX	SHAFT, BLANK FEED ROLLER	REF
103	0076500	HANGER, GLUE HOSE	A/N
104	8035800	5/16 SAE FLT WASHER	2
105	8008200	5/16-18 SCKT HD SCR X 3/4	2
106	8035700	1/4 SAE FLT WASHER	4
107	8036600	1/4 STD LOCK WASHER	4
108	8007600	1/4-20 HEX HD CAP SCR X 2 1/2	4
109	8036700	5/16 STD LOCK WASHER	4
110	8008700	5/16-18 HEX HD CAP SCR X 2	4
111	8029400	#10-24 SCKT HD CAP SCR X 1/2	4
112	8036500	#10 STD LOCK WASHER	4
113	8035600	#10 SAE FLT WASHER	4
114	8032700	5/16-18 SCKT HD CAP SCR X 1	4
115	8036700	5/16 STD LOCK WASHER	10
116	8035800	5/16 SAE FLT WASHER	2
117	8024700	1/2-13 HEX HD NUT	4
118	8036100	1/2 SAE FLT WASHER	4
119	8007300	1/4-20 HEX HD CAP SCR X 1 3/4	2
120	8036600	1/4 STD LOCK WASHER	2
121	8035700	1/4 SAE FLT WASHER	2
123	8010000	3/8-16 HEX HD CAP SCR X 1	4
124	8036800	3/8 STD LOCK WASHER	4



Tray Box Former



Option Parts & Illustrations



Tray Box Former

FIGURE ECLIPSE STYLE GLUE CART/CONTROLLER

ITEM	PART NO.	DESCRIPTION	QTY.
1	0097900	GLUE CART	1
2	1809300	CASTER	4
3	0080200	MOUNT-CONTROLLER	1
4	1808500	ENCLOSURE-ELECT. BOX	1
5	0059000	AIR REGULATOR	1
101	8036700	5/16 SPLIT LOCK WASHER	16
102	8008200	5/16-18 HEX HD CAP SCR X 3/4	16
108	1813700	3/4 CONNECTOR STRAIGHT	4
109	8006800	1/4-20 HEX HD CAP SCR X 1/2	4
110	8036600	1/4 SPLIT LOCK WASHER	4
111	1501500	WASHER	4
113	1804000	BRASS FITTING 90DEG	1
114	1805701	1/4 NPT CLOSE	1
115	1804100	BRASS FITTING - STRAIGHT	1
116	1808700	1/4 TEE, GALV.	1
117	8035400	#12 PAN HD SCR X 3/8	2
118	0037300	3/8 POLY FLOW TUBING	A/N
119	8009100	5/16-18 X 3.0 HEX HD SCREW	4
120	8025600	5/16 NC FIBER LOCK NUT	4
121	8035800	5/16 FLAT WASHER	4
122	TBLTC075	FLEX CONN. 6"	1
123	TBLTC075	FLEX CONN. 7 1/4"	1
124	8017600	#10-32 X 2 1/4 MACHINE SCREW	2
125	8017000	#10-32 X 3/4 MACHINE SCREW	2
126	8035600	#10 FLAT WASHER	4
127	8025300	#10-32 NC FIBER LOCK NUT	4



Tray Box Former

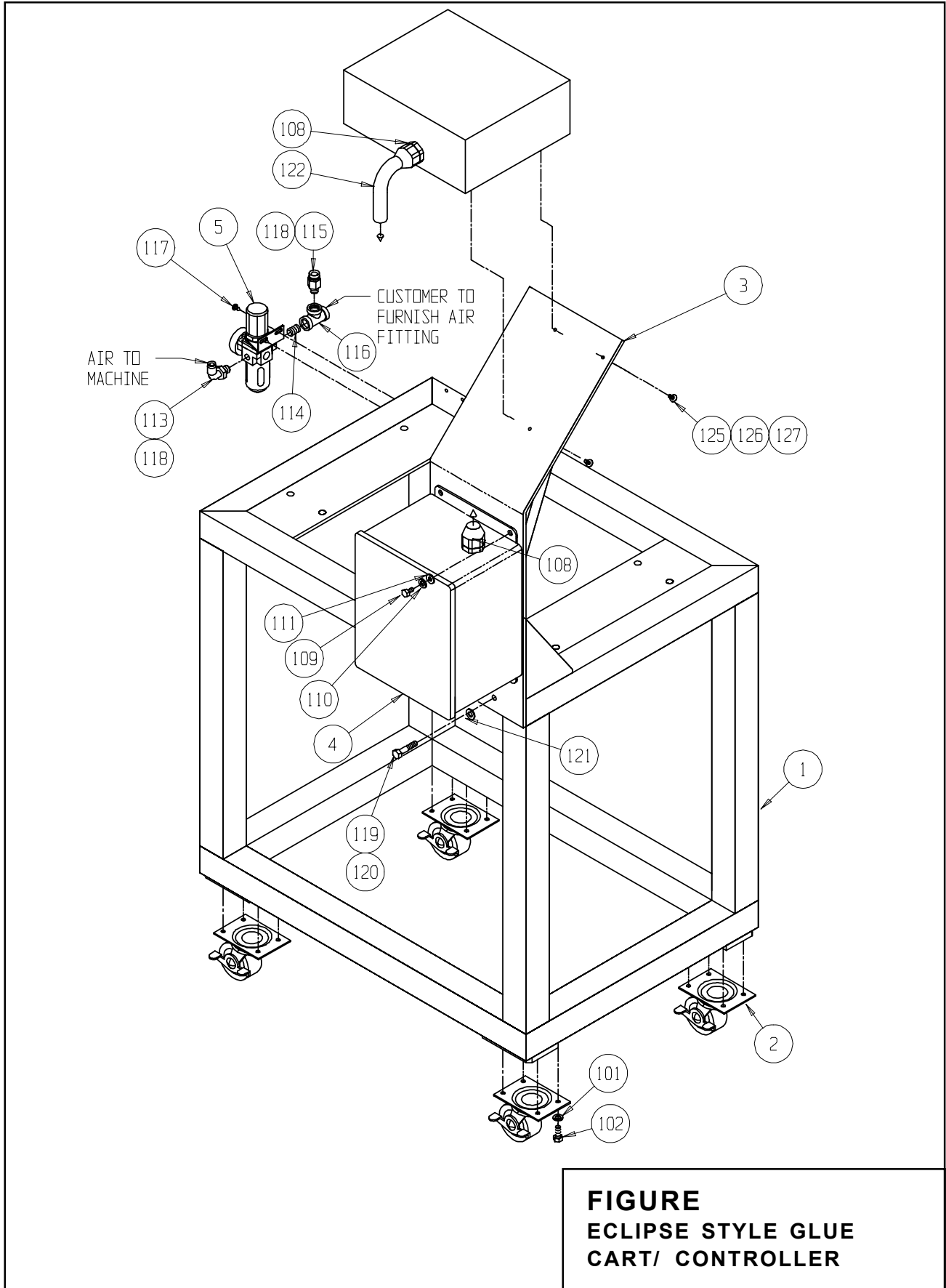


FIGURE
ECLIPSE STYLE GLUE
CART/ CONTROLLER

Option Parts & Illustrations



Tray Box Former

FIGURE ENCODER & MOUNTING BRACKET ASSEMBLY

ITEM	PART NO.	DESCRIPTION	QTY.
1	0052000	PULLEY, 40 TOOTH ENCODER (SB)	1
	0052001	PULLEY, 40 TOOTH ENCODER (WB)	1
2	0051900	BELT ENCODER	1
3	0052100	PULLEY, 24 TOOTH ENCODER	1
4	1810300	ENCODER	1
5	0077603	PLATE, ENCODER MOUNT	1
6	0077601	BRACKET, ENCODER MOUNT	1
7	0077604	STUD, ENCODER MOUNT	2
100	8008300	5/16-18 HEX HD CAP SCR X 1	2
101	8004700	5/16-18 SCKT FLAT HD SCR X 3/4	2
102	8035800	5/16 SAE FLAT WASHER	6
103	8036700	5/16 STD LOCK WASHER	2
104	8024400	5/16-18 HEX HD NUT	2
105	8030400	#10-32 SCKT HD CAP SCR X 1/2	4
106	8008200	5/16-18 HEX HD CAP SCR X 3/4	2



Tray Box Former

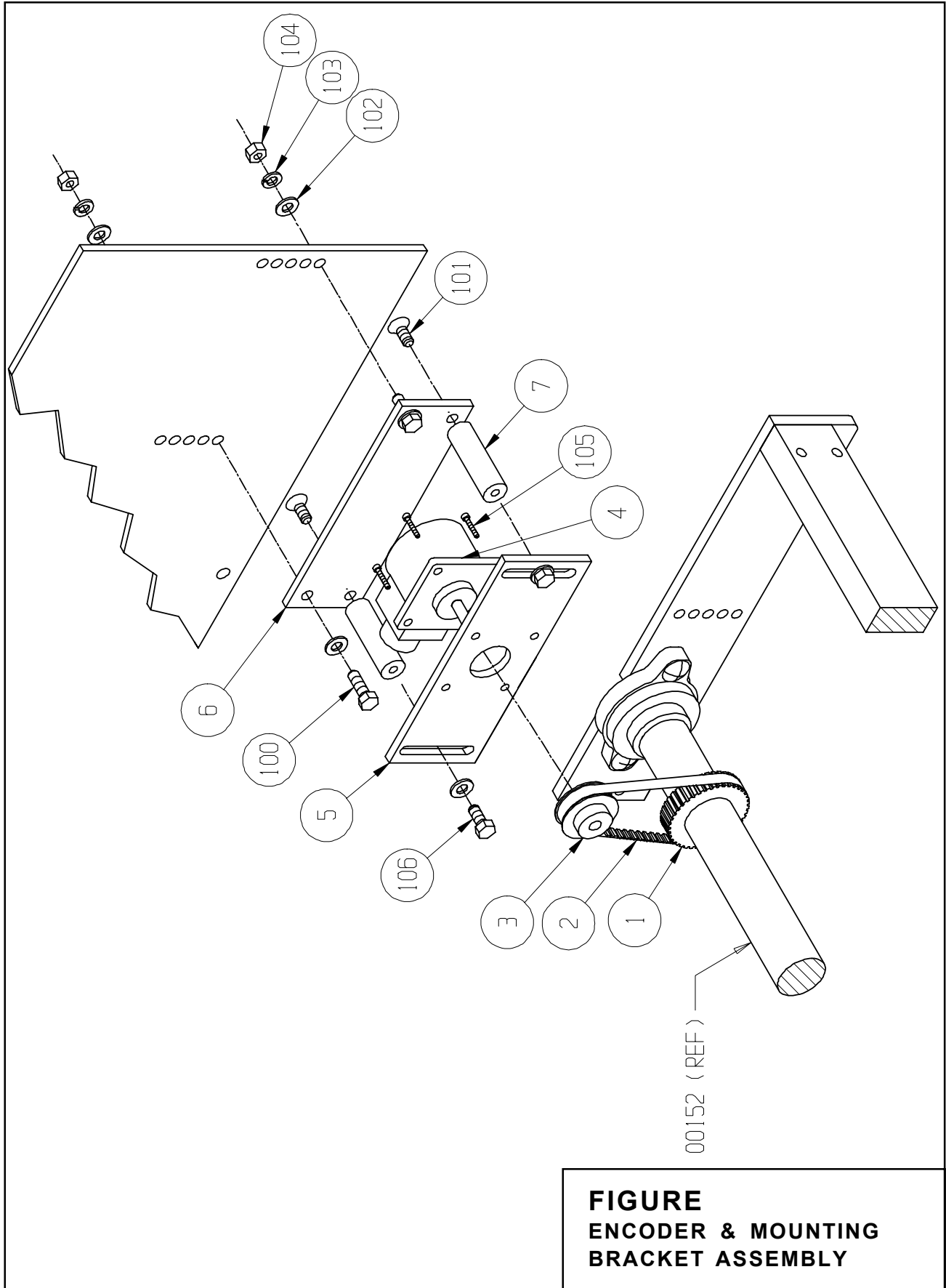


FIGURE
ENCODER & MOUNTING
BRACKET ASSEMBLY

Option Parts & Illustrations